

## X-Motion 300i

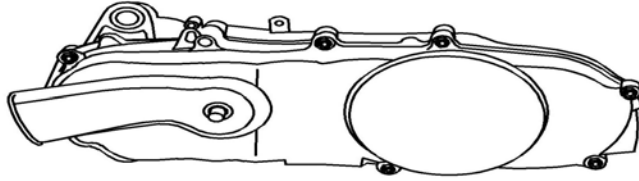
***To return to this index click on main picture***

<b>Section</b>	<b>Description</b>	<b>Section</b>	<b>Description</b>
0	<a href="#">Engine</a>	19-01	<a href="#">Frame</a>
1	<a href="#">Cylinder Head Cover</a>	20	<a href="#">Stand</a>
2	<a href="#">Cylinder Head Assy</a>	21	<a href="#">Fuel Tank</a>
2-01	<a href="#">Fuel Injection</a>	22	<a href="#">Seat</a>
3	<a href="#">Cylinder Comp, Crankshaft</a>	23	<a href="#">Additions of Side Cover</a>
4	<a href="#">Oil Pump, Cylinder Head Side Cover</a>	24	<a href="#">Windshield</a>
5	<a href="#">L Crankcase Cover</a>	25	<a href="#">Front Leg Shield</a>
6	<a href="#">R Crankcase Comp, ACG Assy.</a>	26	<a href="#">Rear Leg Shield</a>
7	<a href="#">Right Case Cover</a>	27	<a href="#">Front Fork</a>
8	<a href="#">L Crankcase Comp</a>	28	<a href="#">Front Fender</a>
9	<a href="#">Air Cleaner</a>	29	<a href="#">Front Wheel</a>
10	<a href="#">Driven Pulley Moveable Drive Face</a>	30	<a href="#">Handle Bar</a>
10-01	<a href="#">Driven Pulley Moveable Drive Face</a>	31	<a href="#">Handle Bar Cover</a>
11	<a href="#">Transmission Case</a>	32	<a href="#">Handle Bar Switches</a>
12	<a href="#">Exhaust System</a>	33	<a href="#">Rear Fender</a>
13	<a href="#">Radiator Assy.</a>	33-01	<a href="#">Rear Fender</a>
14	<a href="#">Battery, Start Mag, Ign Coil, Horn</a>	34	<a href="#">Rear Wheel</a>
15	<a href="#">Wire Harness, Key Set</a>	35	<a href="#">Calliper, Master Cylinder (Front)</a>
16	<a href="#">Speedometer</a>	36	<a href="#">Calliper, Master Cylinder (Rear)</a>
17	<a href="#">Head Lamp</a>	37	<a href="#">Labels</a>
18	<a href="#">Rear Lamp</a>	38	<a href="#">Hand Guards</a>
19	<a href="#">Frame</a>	39	<a href="#">Seat Assy, Back</a>

0

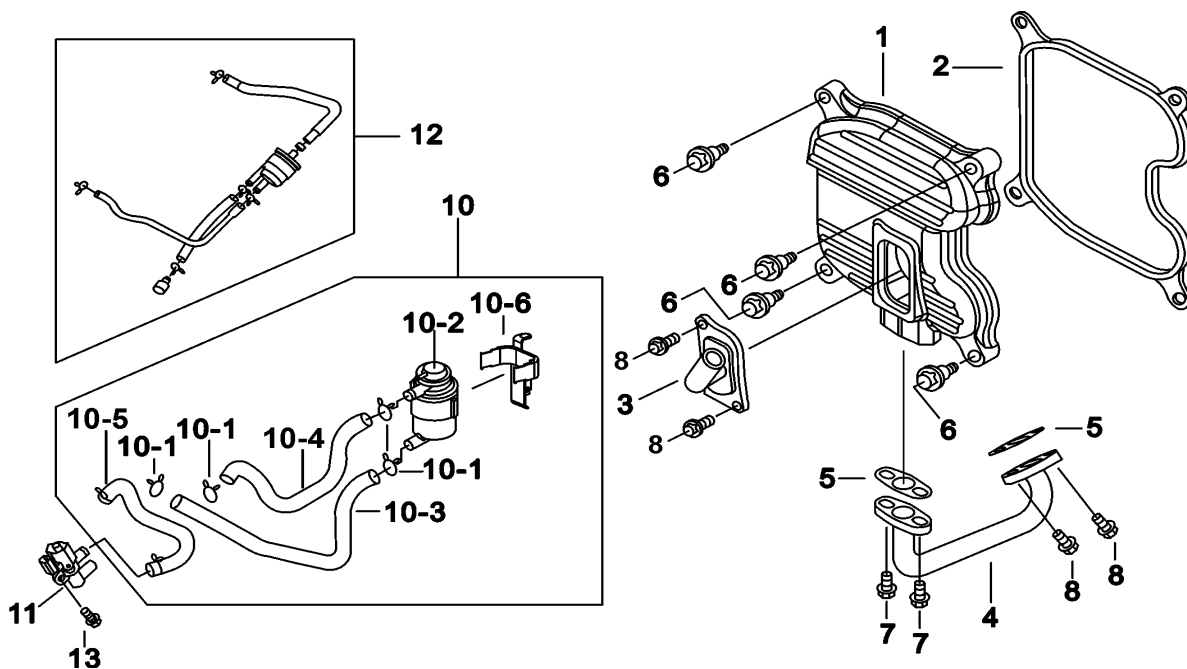
ENGINE ASSY.

CUZ-B



ITEM	PART NO	DESCRIPTION	Q'TY	AMEND	NOTE
01	553040	ENGINE ASSY.	1		

1	CYLINDER HEAD COVER	CUZ-B
---	---------------------	-------

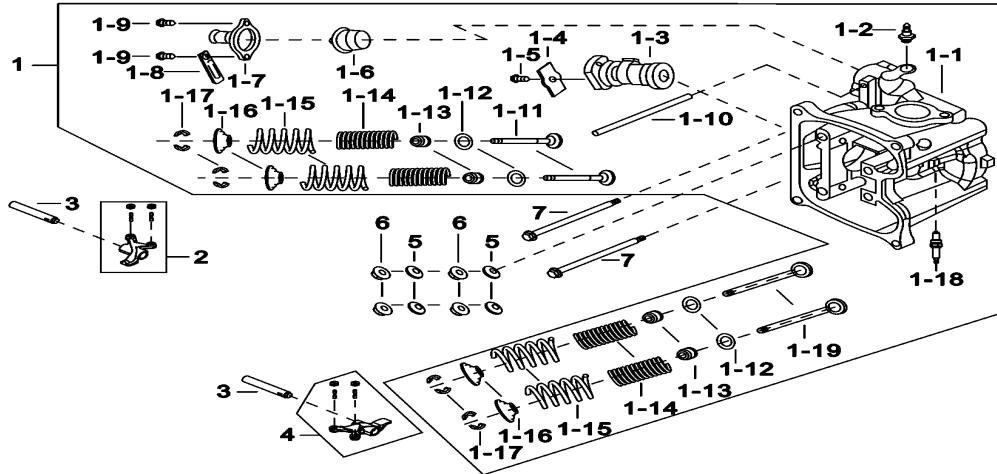


ITEM	PART NO	DESCRIPTION	Q'TY	AMEND	NOTE
01	923032	HEAD COVER	1		
02	923031	HEAD COVER PACKING	1		
03	923605	REED VALVE COMP	1		
04	552404	AIR PIPE COMP.	1		
05	923058	AIR PIPE GASKET	2		
06	923255	HEAD COVER BOLT	4		
07	552434	SH. FLANGE BOLT 6X14	2		
08	923064	FLANGE BOLT SH 6x16	4		
10	552632	A.I.A.C. ASSY.	1		
10-1	552627	BREATHER TUBE CLIP	4		
10-2	552628	A.I.A.C. COMP.	1		
10-3	552629	A.I.C.V. TUBE A	1		
10-4	552630	A.I.C.V. TUBE B	1		
10-5	552631	A.I.C.V. REED VALVE JOINT TUBE	1		
10-6	552633	A.I.C.V. STAY	1		
11	923768	A.I.S.V. ASSY.	1		
12	923771	BREATHER CHAMBER ASSY.	1		
13	N10601	NUT, FLANGE 6mm	1		

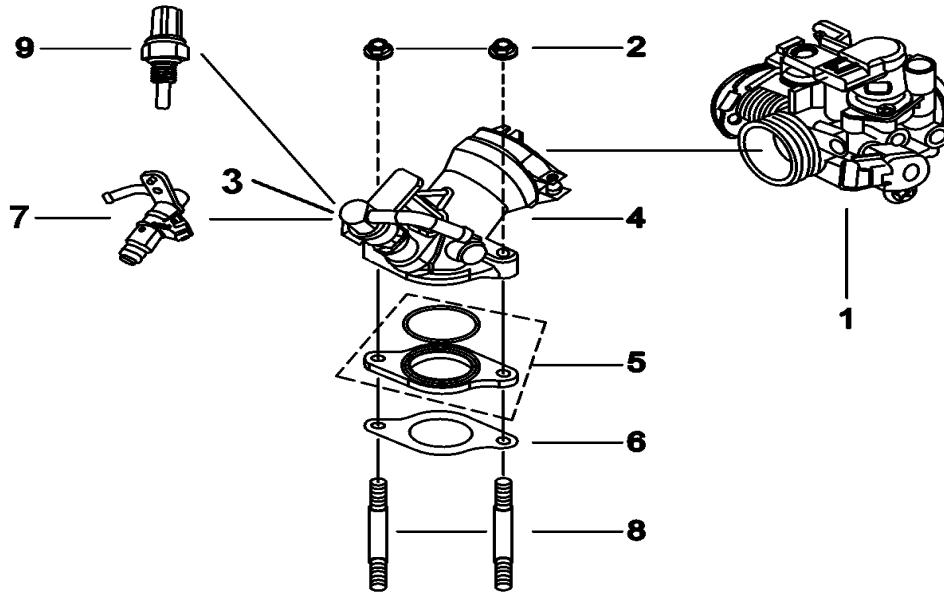
2

## CYLINDER HEAD ASSY

CUZ-B



ITEM	PART NO	DESCRIPTION	Q'TY	AMEND	NOTE
01	553012	CYLINDER HEAD ASSY.	1		
01-1	553001	CYLINDER HEAD COMP.	1		
01-10	552428	THERMOSTAT TUBE ASSY.	1		
01-11	923047	IN. VALVE	2		
01-12	923052	VALVE SPRING SEAT	4		
01-13	552438	VALVE STEM SEAL	4		
01-14	923050	VALVE INNER SPG.	4		
01-15	923049	VALVE OUTER SPG.	4		
01-16	552423	VALVE SPRING RETAINER	4		
01-17	923053	VALVE COTTER SET	8		
01-18	923066	SPARK PLUG (CR8E)	1		
01-19	923048	EX. VALVE	2		
01-2	923067	THERMO UNIT ASSY	1		
01-3	552413	CAM SHAFT COMP.	1		
01-4	923046	CAM SHAFT SETTING PLATE	1		
01-5	552434	SH. FLANGE BOLT 6X14	1		
01-6	923059	THERMOSTAT ASSY.	1		
01-7	923060	THERMOSTAT COVER COMP	1		
01-8	923129	CLAMP	1		
01-9	923064	FLANGE BOLT SH 6x16	2		
02	553002	IN. VALVE ROCKER ARM ASSY.	1		
03	923045	ROCKER ARM SHAFT	2		
04	553003	EX. VALVE ROCKER ARM ASSY.	1		
05	923061	SEALING WASHER 10.5MM	4		
06	923062	FLANGE NUT 10MM	4		
07	923065	FLANGE SH BOLT 6x90	2		

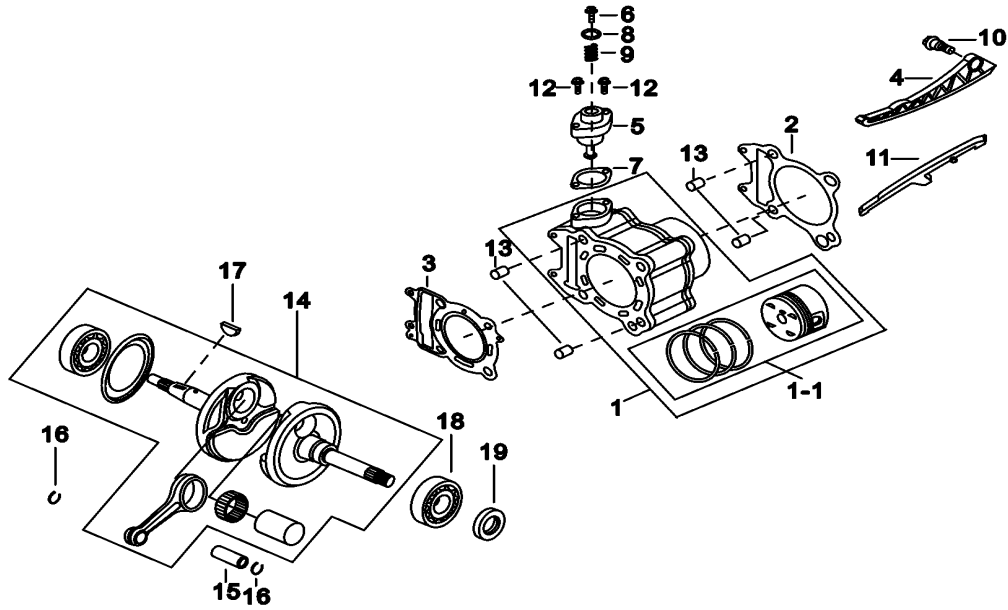


ITEM	PART NO	DESCRIPTION	Q'TY	AMEND	NOTE
01	552442	THROTTLE BODY ASSY.	1		
02	923270	NUT FLANGE 6MM	2		
03	552444	FUEL INJECTOR CUP	1		
04	552443	INLET PIPE ASSY	1		
05	552441	CARB. INSULATOR ASSY.	1		
06	552440	CARB. INSULATOR GASKET	1		
07	552439	FUEL INJECTOR	1		
08	923107	CYLINDER STUD BOLT B	2		
09	552445	TW SENSOR	1		

3

## CYLINDER COMP, CRANK SHAFT

CUZ-B

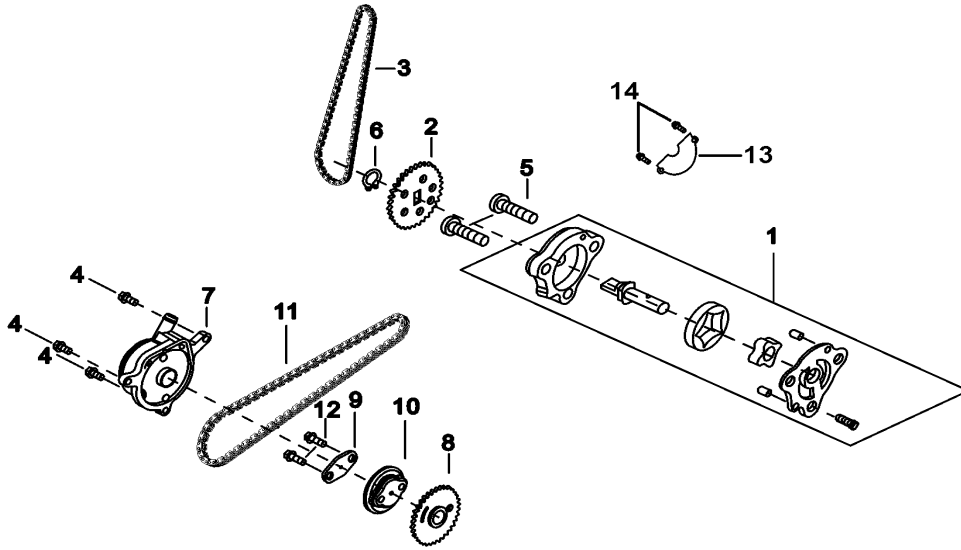


ITEM	PART NO	DESCRIPTION	Q'TY	AMEND	NOTE
01	553004A	CYLINDER ASSY.	1		
01-1	553006	PISTON COMP	1		
02	923075	CYLINDER GASKET	1		
03	553005	CYLINDER HEAD GASKET	1		
04	552451	CAM CHAIN TENSIONER	1		
05	923078	TENSIONER LIFTER ASSY.	1		
06	923082	ADJUSTER BOLT	1		
07	923079	TENSIONER LIFTER GASKET	1		
08	923081	O-RING	1		
09	923080	ADJUSTER SPRING	1		
10	923083	SCREW	1		
11	552458	CAM CHAIN GUIDE	1		
12	923084	FLANGE SHF BOLT 6x22	2		
13	923085	DOWEL PIN 12x20	4		
14	552594	CRANK SHAFT COMP	1		
15	923168	PISTON PIN	1		
16	923169	PISTON PIN CLIP 17MM	2		
17	923174	WOODRUFF KEY 25x14x4	1		
18	552601	RADIAL BALL BRG. TMB306	1		
19	923164	OIL SEAL TC27x42x7	1		

4

## OIL PUMP

CUZ-B

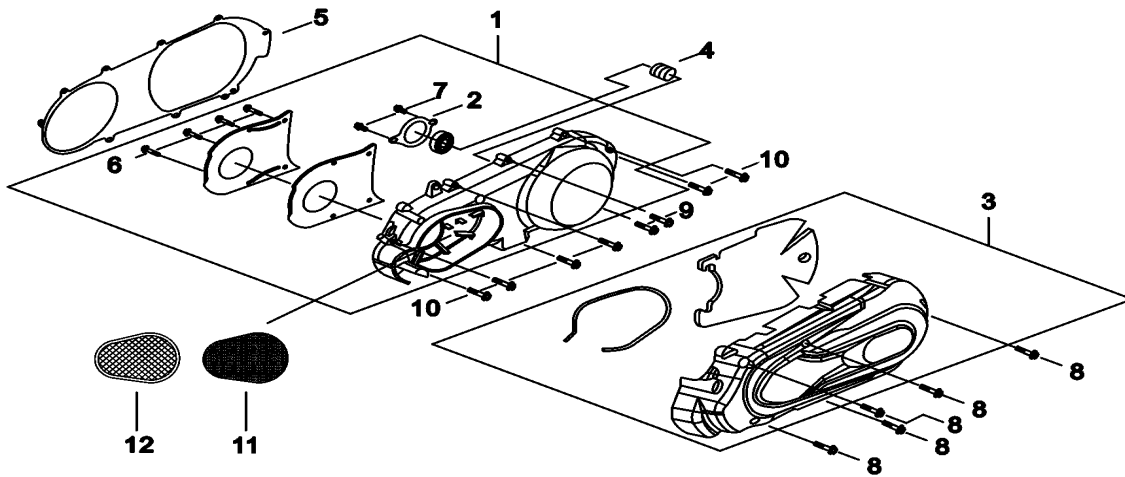


ITEM	PART NO	DESCRIPTION	Q'TY	AMEND	NOTE
01	923243	OIL PUMP ASSY.	1		
02	923251	OIL PUMP DRIVEN SPROCKET	1		
03	923253	OIL PUMP CHAIN 48L	1		
04	923113	FLANGE BOLT SH 6x18	3		
05	923250	PAN SCREW 6x25	2		
06	923252	CIR CLIP EX 10	1		
07	552464	CYL. HEAD SIDE COVER ASSY.	1		
08	552465	CAM SPROCKET	1		
09	923240	CAM SPROCKET WASHER	1		
10	923239	CENTRIFUGAL DISK	1		
11	552468	CAM CHAIN 100L	1		
12	552469	BOLT HEX 6X16	2		
13	553013	OIL SEPARATER	1		
14	923126	FLANGE BOLT SH 6x10	2		

5

## L. CRANK CASE COVER

CUZ-B



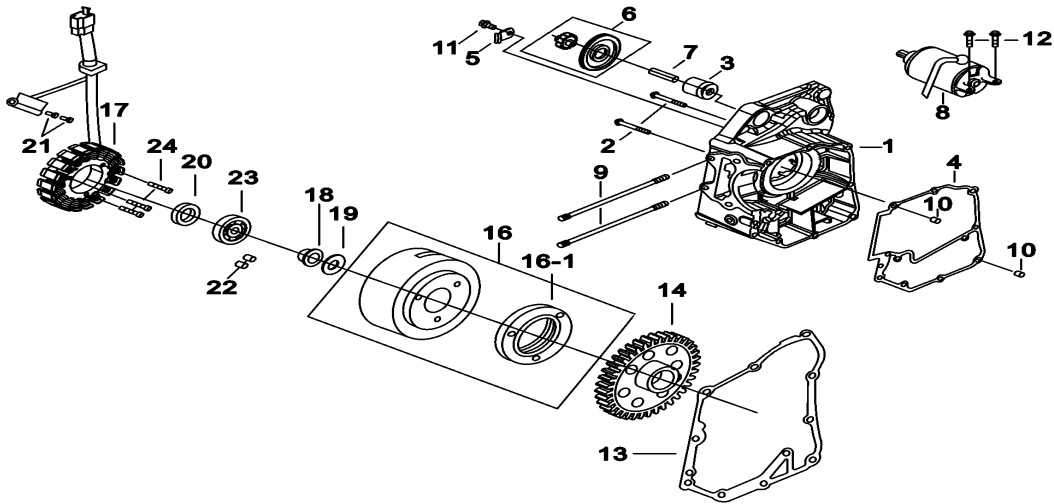
ITEM	PART NO	DESCRIPTION	Q'TY	AMEND	NOTE
01	552615	L. CRANK CASE COVER ASSY.	1		
02	923091	L. BEARING SETTING PLATE	1		
03	553052A	L. OUTER COVER ASSY.	1		
04	923092	BEARING STAY COLLAR ASSY.	1		
05	552620	L. COVER GASKET	1		
06	923096	PAN SCREW 5x12mm	4		
07	923098	SH. FLANGE BOLT 6x12	1		
08	552623	SH. FLANGE BOLT 6X18	5		
09	552624	SH. FLANGE BOLT 6X30mm	2		
10	923099	FLANGE SH BOLT 6x35	6		
11	552690	L COVER ELEMENT	1		
12	552700	TRAP COMP	1		



6

## R. CRANK CASE COMP, A.C.G. ASSY.

CUZ-B

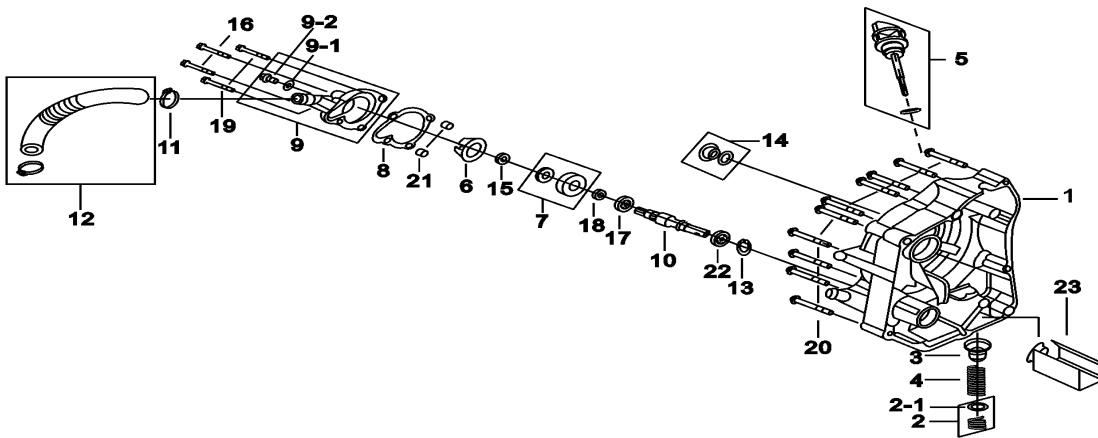


ITEM	PART NO	DESCRIPTION	Q'TY	AMEND	NOTE
01	552483	R. CRANK CASE COMP.	1		
02	923128	BOLT FLANGE SH 6x55	2		
03	552525	ENGINE HANGER BUSH ASSY.	1		
04	552485	CRANK CASE GASKET	1		
05	552486	CAM CHAIN SETTING PLATE	1		
06	552487	STAR. REDUCTION GEAR COMP.	1		
07	552488	STA. REDUCTION GEAR SHAFT	1		
08	552489	START MOTOR ASSY	1		
09	923125	CYLINDER STUD BOLT A	2		
10	923097	DOWEL PIN 8x14	2		
11	923126	FLANGE BOLT SH 6x10	1		
12	923127	FLANGE BOLT SH 6x22	2		
13	552471	R. COVER GASKET	1		
14	923258	STARTING CLUTCH GEAR COMP	1		
16	552474	FLYWHEEL COMP	1		
16-1	923411	ONE WAY CLUTCH ASSY.	1		
17	553758	STATOR COMP.	1		
18	552564	FLANGE NUT 14MM	1		
19	923260	THRUST WASHER 14x28x2	1		
20	552478	OIL SEAL TC12X22X5	1		
21	923261	PAN SCREW 5x16	2		
22	923097	DOWEL PIN 8x14	2		
23	923414	RADIAL BALL BRG. 6201LUC3	1		
24	S24610	BOLT, FLANGE M6X40	3		

7

## R. CASE COVER

CUZ-B

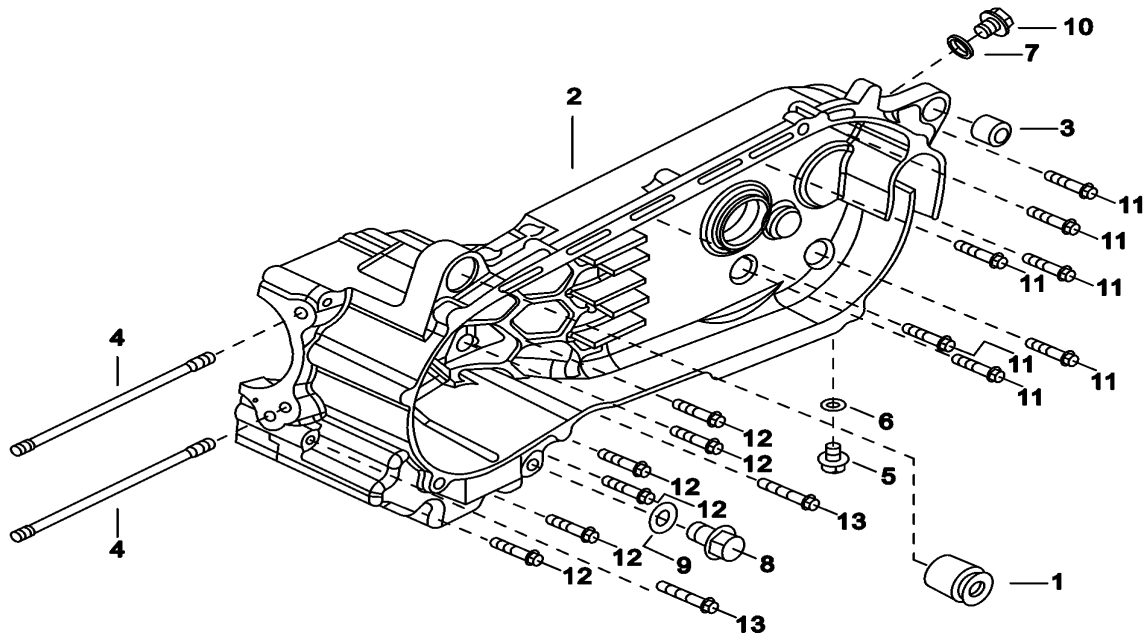


ITEM	PART NO	DESCRIPTION	Q'TY	AMEND	NOTE
01	552497	R. CASE COVER COMP.	1		
02	923131	TAPPET ADJ HOLE CAP ASSY.	1		
02-1	923132	O-RING 30.8MM	1		
03	923136	OIL FILTER SCREEN	1		
04	923135	OIL FILTER SCREW SPG.	1		
05	552501	OIL LEVEL GAUGE ASSY.	1		
06	923140	WATER PUMP IMPELLER	1		
07	923142	MECHANICAL SEAL	1		
08	923143	WATER PUMP GASKET	1		
09	552505	WATER PUMP COVER ASSY.	1		
09-1	552512	WASHER A 6MM	1		
09-2	552520	SH. FLANGE BOLT 6X10	1		
10	923145	WATER PUMP SHAFT	1		
11	923150	WATER HOSE CLAMP A	1		
12	552508	WATER HOSE ASSY.	1		
13	923152	CIR CLIP IN 26	1		
14	923148	ACG. CAP ASSY. 14MM	1		
15	923141	WASHER 7.2x13x1.2	1		
16	923127	FLANGE BOLT SH 6x22	2		
17	923146	RADIAL BALL BRG.6901	1		
18	923147	OIL SEAL 12x20x5	1		
19	923153	FLANGE SH BOLT 6x32	2		
20	923154	FLANGE BOLT SH 6x45	10		
21	923097	DOWEL PIN 8x14	2		
22	923151	RADIAL BALL BRG. 6000	1		
23	923609	MAGNET PLATE	1		

8

## L. CRANK CASE COMP.

CUZ-B

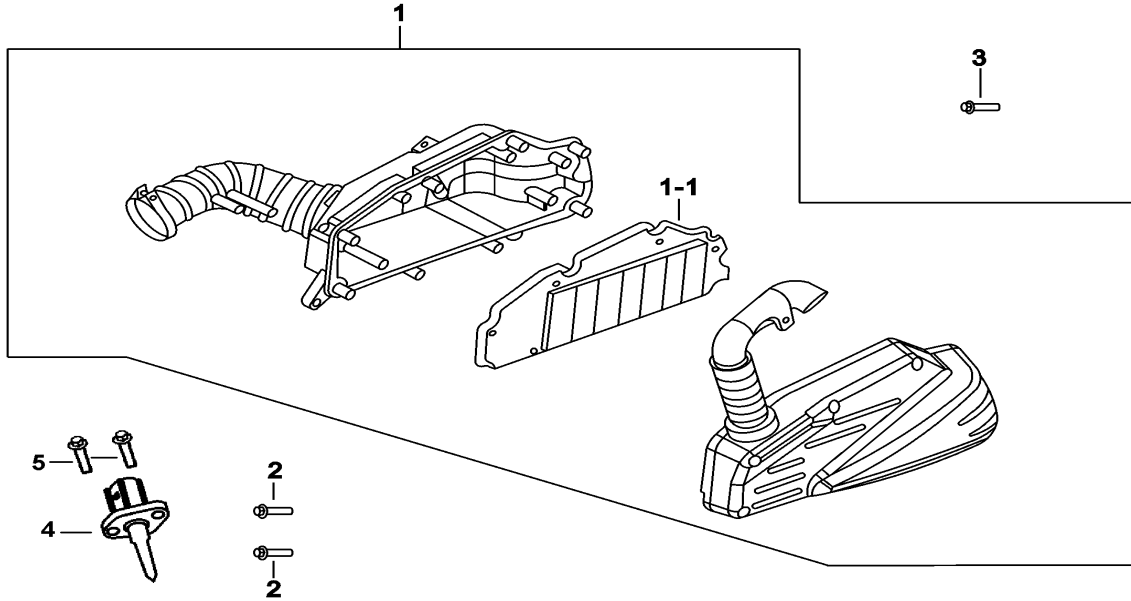


ITEM	PART NO	DESCRIPTION	Q'TY	AMEND	NOTE
01	552525	ENGINE HANGER BUSH ASSY.	1		
02	552526	L. CRANK CASE COMP.	1		
03	552528	RR. CUSHION. RUBBER BUSH	1		
04	923107	CYLINDER STUD BOLT B	2		
05	552531	SPECIAL BOLT 8MM	1		
06	923231	WASHER 8MM	1		
07	552533	PLAIN 10.2mm WASHER	1		
08	552534	DRAIN PLUG BOLT 12MM	1		
09	923111	DRAIN PLUG WASHER 12MM	1		
10	552536	FLANGE BOLT 10X12mm	1		
11	552537	FLANGE BOLT M8X50	7		
12	923114	FLANGE SH BOLT 6x50	6		
13	923115	SH. FLANGE BOLT 6x70mm	2		

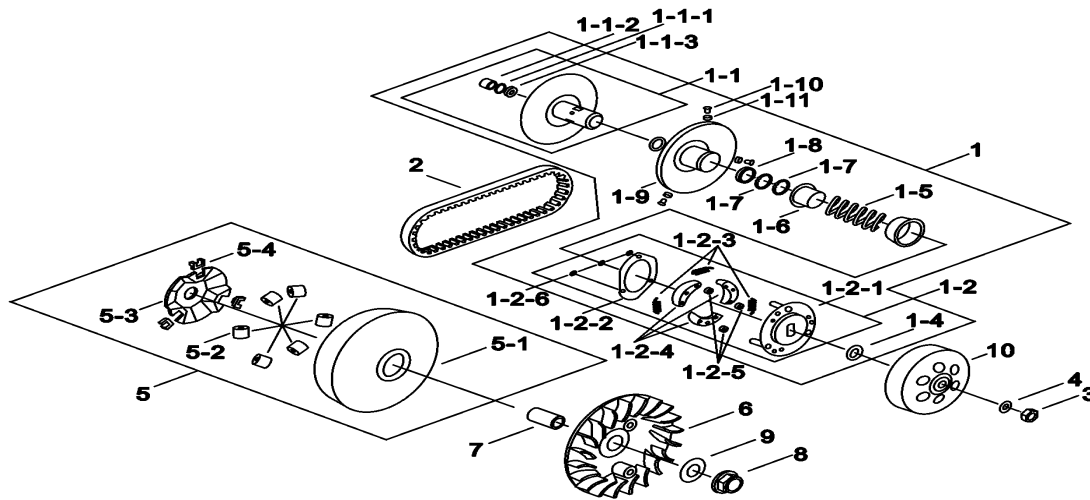
9

## AIR CLEANER ASSY.

CUZ-B



ITEM	PART NO	DESCRIPTION	Q'TY	AMEND	NOTE
01	923814	AIR/C ASSY.	1		
01-1	552645	AIR/C ELEMENT COMP	1		
02	S24607	BOLT, FLANGE M6X32	2		
03	GA555SC05	BOLT, OUTLET M6X1.0X16L	1		
04	552822	INTAKE TEMPERATURE SENSOR	1		
05	553761	BOLT	2		

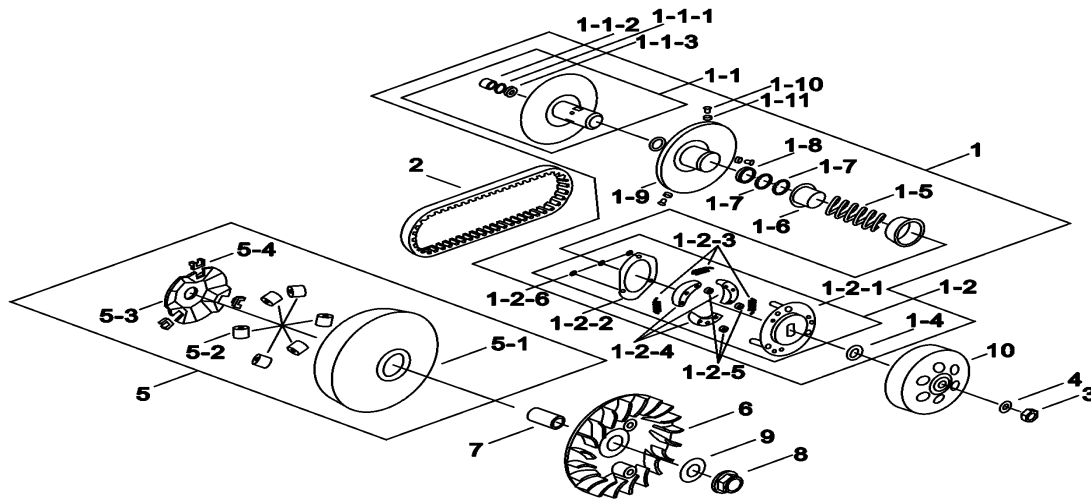


ITEM	PART NO	DESCRIPTION	Q'TY	AMEND	NOTE
01	552557	DRIVEN PULLEY ASSY.	1		
01-1	552558	DRIVEN FACE ASSY.	1		
01-10	552560	ROLLER GUIDE PIN	3		
01-11	552561	GUIDE ROLLER	3		
01-1-1	552567	IN. CIRCLIP	1		
01-1-2	552568	NEEDLE BEARING HKS25X32X14	1		
01-1-3	552569	RADIAL BALL BRG. 6903LU	1		
01-2	552551	DRIVE PLATE ASSY.	1		
01-2-1	552552	DRIVE PLATE COMP.	1		
01-2-2	552553	CLUTCH SIDE PLATE	1		
01-2-3	552554	CLUTCH SPRING	3		
01-2-4	552555	CLUTCH WEIGHT	1		
01-2-5	552556	CLUTCH DAMPER RUBBER	3		
01-2-6	552572	E-RING 8	3		
01-4	552565	SPECIAL NUT 36MM	1		
01-5	552562	DRIVEN FACE SPRING	1		
01-6	552563	SEAL COLLAR	1		
01-7	552571	O-RING 47X2.0	2		
01-8	552570	OIL SEAL TC41X48X4	2		
01-9	552559	MOVABLE DRIVEN FACE COMP.	1		
02	553009	DRIVE BELT	1		
03	552564	FLANGE NUT 14MM	1		
04	923260	THRUST WASHER 14x28x2	1		
05	552540	MOVABLE DRIVE FACE ASSY.	1		
05-1	552543	MOVABLE DRIVE FACE COMP.	1		

10-1

## DRIVEN PULLEY, MOVABLE DRIVE FACE

CUZ-B

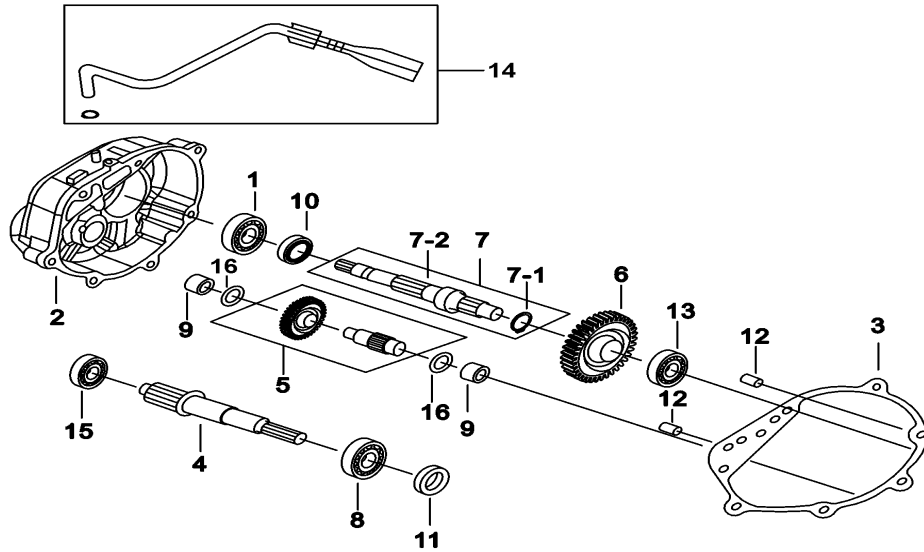


ITEM	PART NO	DESCRIPTION	Q'TY	AMEND	NOTE
05-2	552544	WEIGHT ROLLER COMP (18g)	6		
05-3	552545	RAMP PLATE	1		
05-4	552546	SLIDE PIECE	3		
06	552541	DRIVE FACE	1		
07	552542	DRIVE FACE BOSS	1		
08	552564	FLANGE NUT 14MM	1		
09	923260	THRUST WASHER	1		
10	552550	CLUTCH OUTER	1		

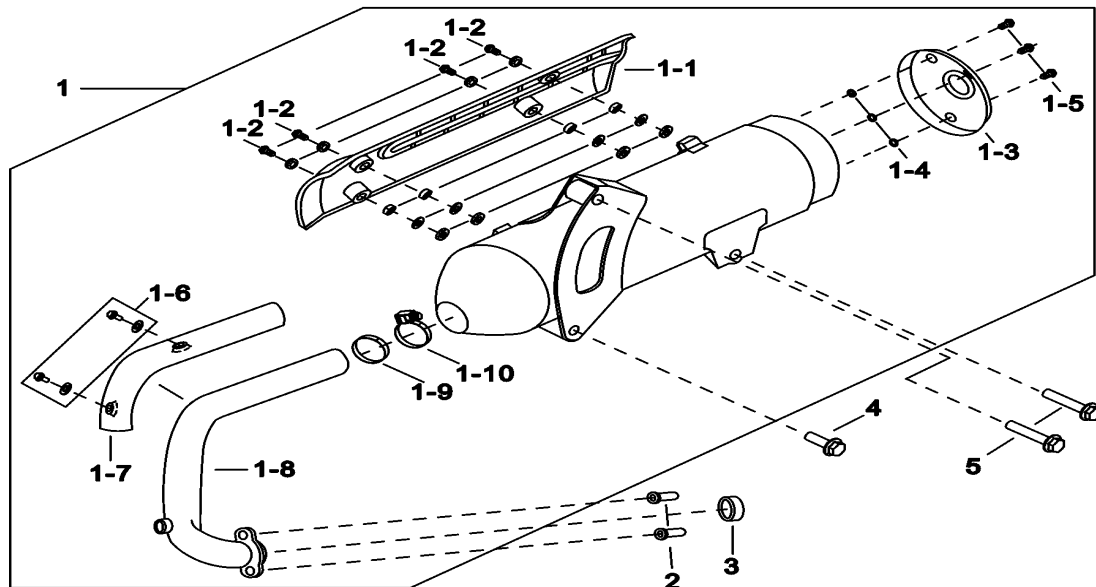
11

## TRANSMISSION CASE

CUZ-B



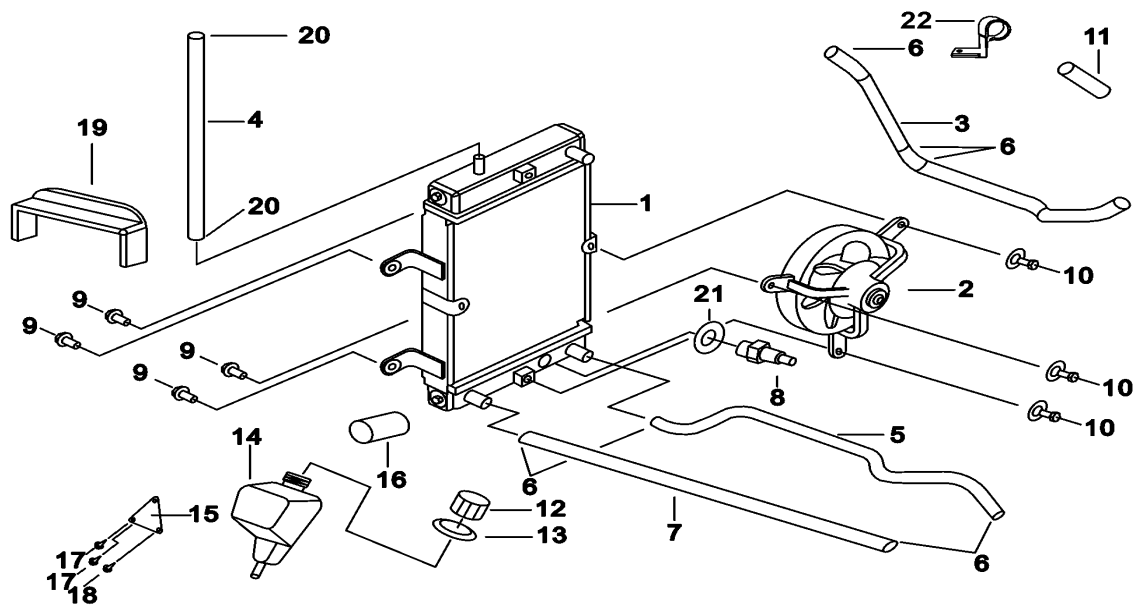
ITEM	PART NO	DESCRIPTION	Q'TY	AMEND	NOTE
01	923205	RADIAL BALL BEARING 6205LLU	1		
02	553010	MISSION CASE	1		
03	552575	MISSION CASE GASKET	1		
04	552576	DRIVE SHAFT	1		
05	552577	COUNTER SHAFT COMP.	1		
06	552578	FINAL GEAR	1		
07	552579	FINAL SHAFT ASSY.	1		
07-1	923202	EX. CIRCLIP 25	1		
07-2	552591	FINAL SHAFT	1		
08	552580	RADIAL BALL BRG. CSB205 JR2C3	1		
09	553011	NEEDLE BRG. HK1516	2		
10	552582	OIL SEAL TC34X52X5	1		
11	923229	OIL SEAL TC25x40x7	1		
12	923097	DOWEL PIN 8x14	2		
13	923184	RADIAL BALL BRG. 6204	1		
14	552687	MISSION BREATHER TUBE ASSY.	1		
15	552592	RADIAL BALL BEARING 6302	1		
16	552593	THRUST WASHER 15MM	2		



ITEM	PART NO	DESCRIPTION	Q'TY	AMEND	NOTE
01	923815	EXH. MUFFLER ASSY.	1		
01-1	552640	MUFFLER PROTECTOR COMP.	1		
01-10	552294	CLIP	1		
01-2	552643A	SCREW SET, MUFFLER COVER	4		
01-3	552639	MUFFLER RR. PROTECTOR	1		
01-4	552635	PROTECTOR PACKING A	3		
01-5	552642	SH. FLANGE BOLT 6X16	3		
01-6	552291	SCREW SET	1		
01-7	552292	PROTECTOR COVER	1		
01-8	552293	PIPE, MUFFLER	1		
01-9	552295	GASKET, PLUMBAGO	1		
02	N12802	NUT, OVAL HEAD 8 mm	2		
03	923010	GASKET, EXHAUST PIPE	1		
04	S20029	SH. FLANGE BOLT M10X45L	1		
05	S20030	SH. FLANGE BOLT M10X75L	2		

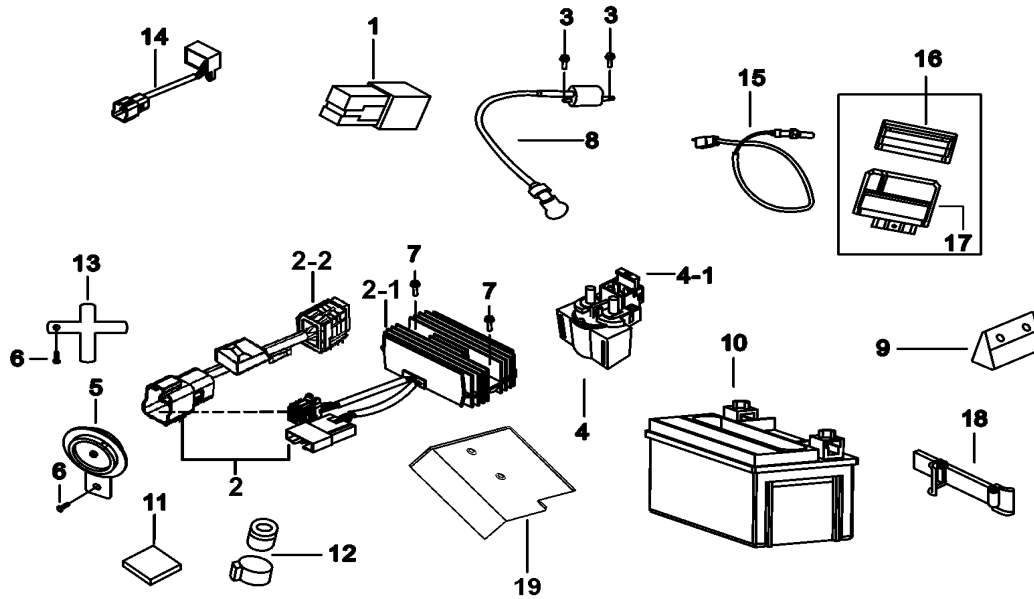


13	RADIATOR ASSY.	CUZ-B
----	----------------	-------



ITEM	PART NO	DESCRIPTION	Q'TY	AMEND	NOTE
01	923800	RADIATOR COMP	1		
02	923757	SHROUD ASSY	1		
03	923805	RADIATOR INLET WATER HOSE	1		
04	923806	RES TANK INLET WATER HOSE	1		
05	923807	ENG. INLET WATER HOSE	1		
06	923810	WATER HOSE CLAMP A	7		
07	923808	RES TANK OUTER WATER HOSE	1		
08	924910	SWITCH, COOLING FAN	1		
09	S20617	BOLT, FLANGE M6X25	4		
10	S07601	BOLT, FLANGE M6X16 (Dark Green)	3		
11	923809	PIPE	1		
12	923802	RESERVE TANK CAP	1		
13	923804	RESERVE TANK TRAY	1		
14	923801	RESERVE TANK	1		
15	923803	RESERVE TANK STAY	1		
16	923819	PIPE	1		
17	S50501	SCREW, OVAL HEAD M5X12L	2		
18	S07601	BOLT, FLANGE M6X16 (Dark Green)	1		
19	552277	HOLDER	1		
20	R60202	CLIP 20	2		
21	W02001	WASHER	1		
22	553051	CLIP	1		

14	<b>BATTERY, START MAG ,IGN COIL ,HORN</b>	<b>CUZ-B</b>
----	---	--------------

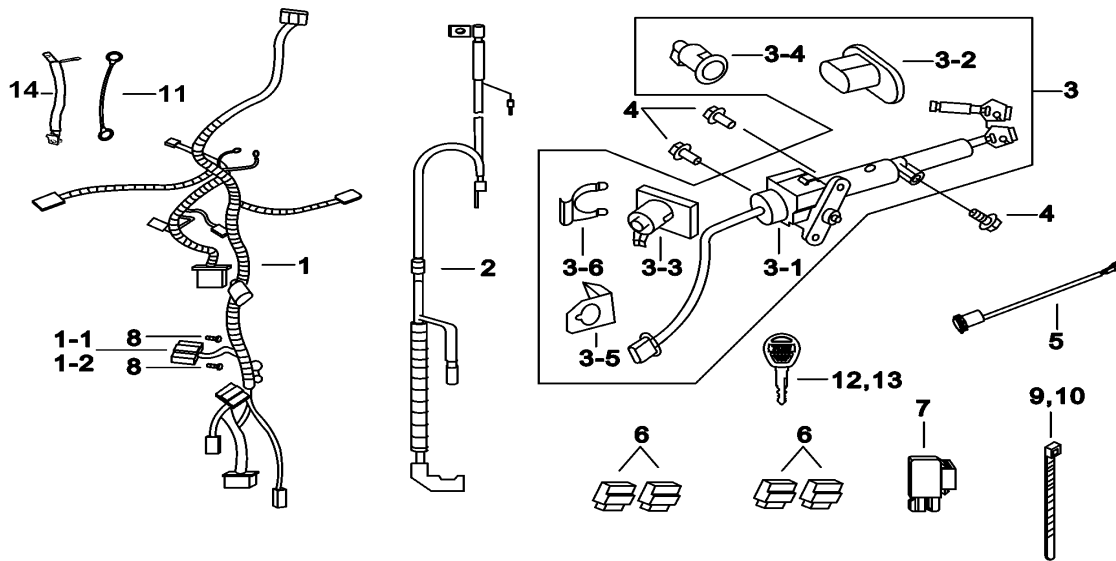


ITEM	PART NO	DESCRIPTION	Q'TY	AMEND	NOTE
01	923755	HAZARD UNIT	1		
02	553781	RECTIFIER COMP.(6 SCR)	1		
02-1	553756	RECTIFIER(6 SCR)	1		
02-2	927779	CONNECT WIRE(RECTIFIER)	1		
03	S70607	SCREW, SOCKET HEAD M6X20	2		
04	923763	START MAG. SET	1		
04-1	552813	FUSE, 30A	1		
05	440809	HORN COMP	1		
06	GA556SC01	BOLT, FLANGE M6X1.0X12L	2		
07	S70610	SCREW, SOCKET HEAD M6x25	2		
08	923773	IGN COIL ASSY	1		
09	924446	TOOL BAG	1		
10	923400A	BATTERY 12V 12AH	1		
11	GF514TH02	CUSHION	1		
12	923756	RELAY, TURN SIGNAL	1		
13	923758	BREAKER	1		
14	924447	THERMOSWITCH COMP.	1		
15	923767	O2 SENSOR	1		
16	923769	ECU SUSPENSION	1		
17	552853	ECU	1		
18	GF5140001	BAND	1		
19	553706	ISOLATE PLATE	1		

15

## WIRE HARNESS, KEY SET, DC. POWER OUTLET

CUZ-B

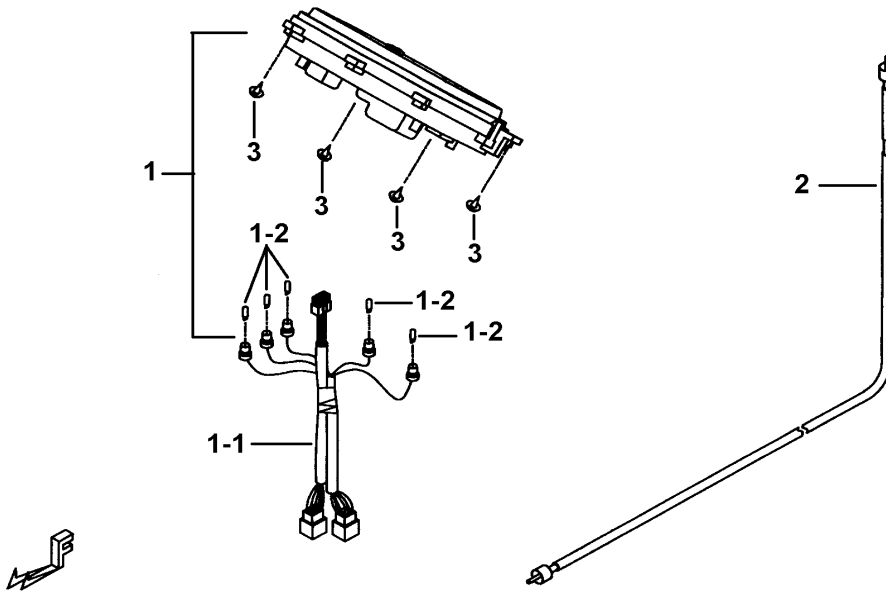


ITEM	PART NO	DESCRIPTION	Q'TY	AMEND	NOTE
01	552852	WIRE HARNESS	1		
01-1	924425	FUSE, 10A	2		
01-2	924426	FUSE, 15A	3		
02	923776	HARNESS STARTING, EARTH	1		
03	923751	KEY SET	1		
03-1	923753-S	COMB. LOCK SW. ASSY	1		
03-2	552804	SHUTTER COMP	1		
03-3	923752-S	INNER BOX LOCK ASSY.	1		
03-4	923754-S	SEAT LOCK KEY COMP.	1		
03-5	923761	HOLDER	1		
03-6	923775	REED	1		
04	S71603	BOLT, BREAKABLE, HEX. HEAD M6X16	3		
05	925873	POWER SOURCE	1		
06	923759	RELAY, CONTROL	4		
07	GA5100004A	RELAY	1		
08	GA552SC11	SCREW, TAPPING M4X16	2		
09	GA510SR01	CLAMP L150	4		
10	400535	CLAMP L300	1		
11	552290	HARNESS, EARTH	1		
12	552823	BLANK KEY LH.	1		
13	552824	BLANK KEY RH.	1		
14	552854	HARNESS, EARTH (FOR ENGINE)	1		

16

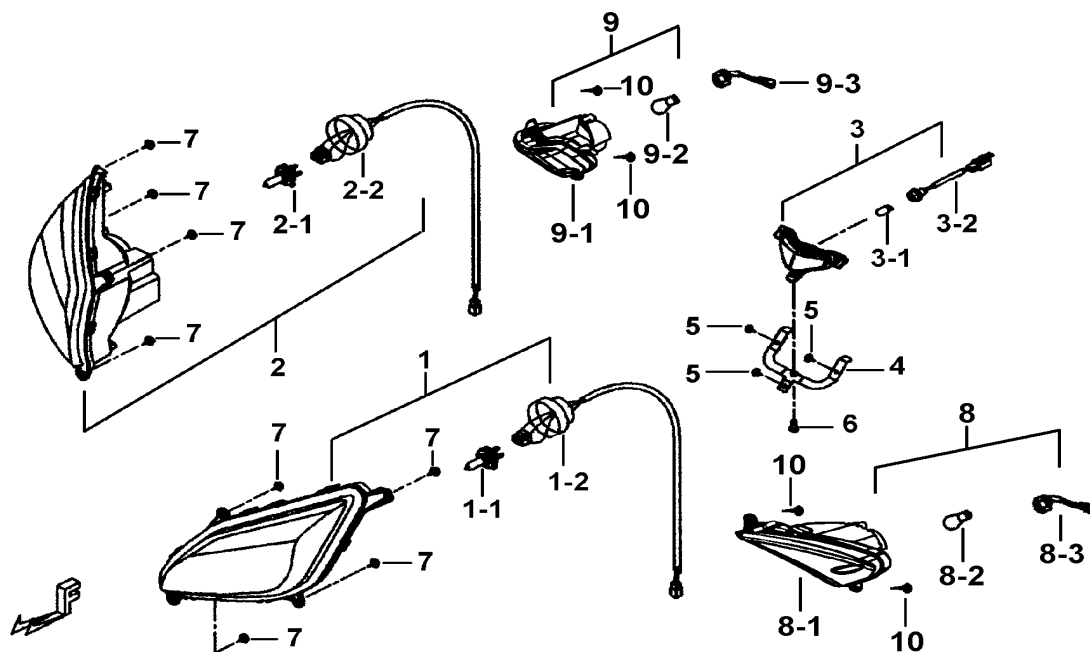
## SPEEDOMETER

CUZ-B

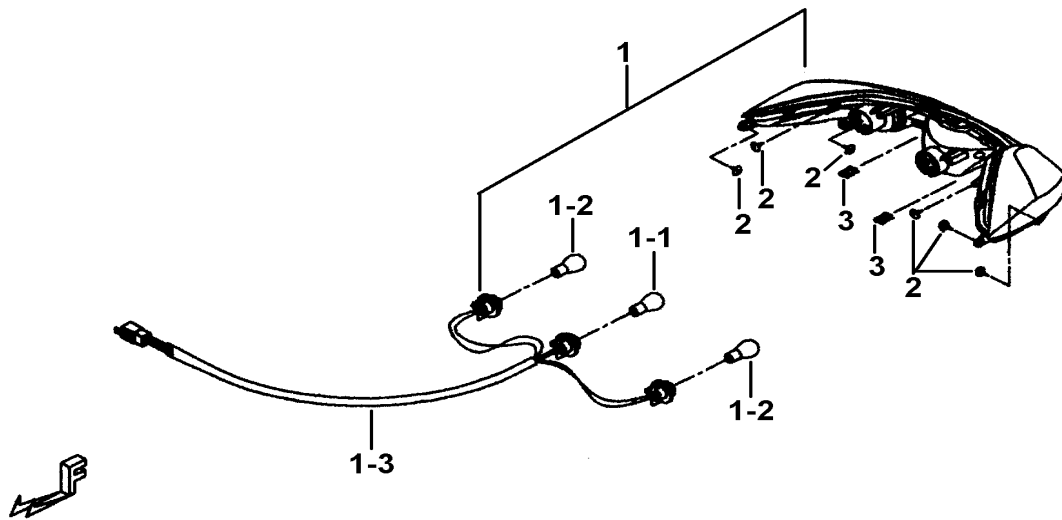


ITEM	PART NO	DESCRIPTION	Q'TY	AMEND	NOTE
01	457169	SPEEDOMETER ASSY.	1	←001194	
01-1	457148	SOCKET COMP.	1		
01-2	515122	BULB (12V, 2W)	5		
01A	553763	SPEEDOMETER ASSY.	1	001195→	
02	411631	CABLE ASSY., SPEEDOMETER	1		
03	S57501	SCREW, OVAL HEAD, FLANGE M5X16	4		

17	HEAD LAMP	CUZ-B
----	-----------	-------

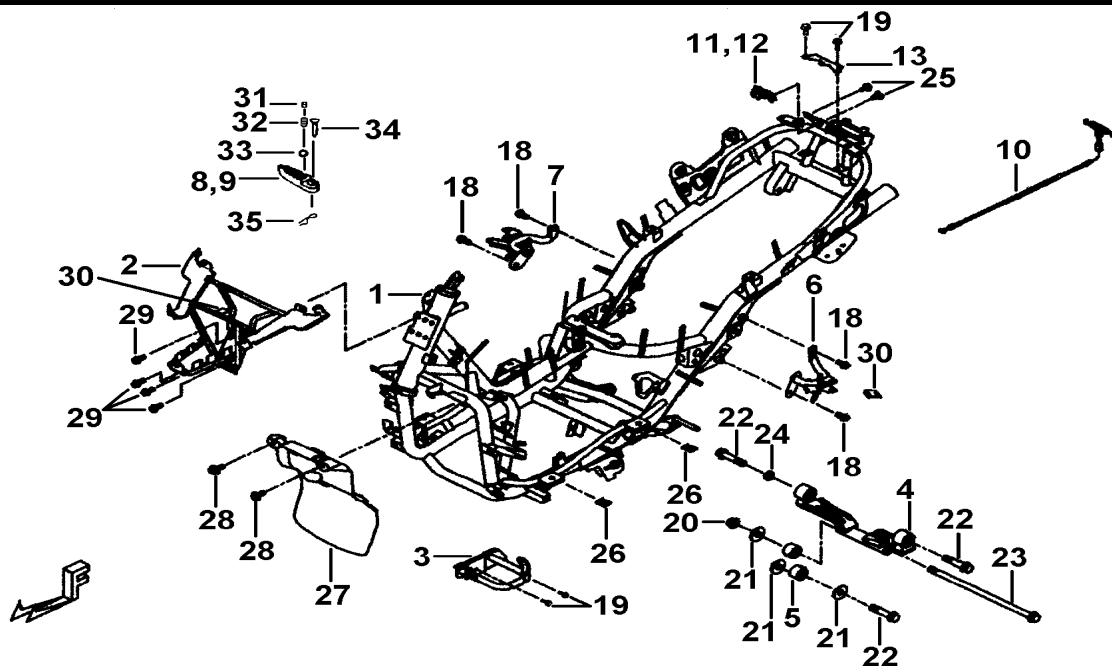


ITEM	PART NO	DESCRIPTION	Q'TY	AMEND	NOTE
01	450071	HEAD LAMP ASSY., LH.	1		
01-1	514074	BULB (35/35W)	1		
01-2	450078	WIRING ASSY, HEAD LAMP	1		
02	450073	HEAD LAMP ASSY., RH.	1		
02-1	514074	BULB (35/35W)	1		
02-2	450078	WIRING ASSY, HEAD LAMP	1		
03	450072	POSITION LAMP.	1		
03-1	514026	BULB 5W	1		
03-2	450077	SOCKET COMP.	1		
04	450076	BRKT	1		
05	S50402	SCREW,TAPPING M4X10	3		
06	S41501	BOLT M5X12	1		
07	S50501	SCREW, OVAL HEAD M5X12L	8		
08	450079	TURN SIGNAL LAMP COMP., LH.	1		
08-1	450090	LENS, TURN SIGNAL COMP., LH.	1		
08-2	414027	BULB 12V 21W	1		
08-3	450094	SOCKET COMP., LH.	1		
09	450080	TURN SIGNAL LAMP COMP., RH.	1		
09-1	450091	LENS, TURN SIGNAL COMP., RH.	1		
09-2	414027	BULB 12V 21W	1		
09-3	450095	SOCKET COMP., RH.	1		
10	S50401	SCREW TAPPING M4X12	4		



ITEM	PART NO	DESCRIPTION	Q'TY	AMEND	NOTE
01	451052	REAR LAMP ASSY.	1		
01-1	451055	BULB, 12V, 21/5W	1		
01-2	451056	BULB 12V 21W	2		
01-3	451057	SOCKET COMP.	1		
02	S50501	SCREW, OVAL HEAD M5X12L	6		
03	GA552NT01	NUT, SPRING M4	2		

19	FRAME	CUZ-B
----	-------	-------

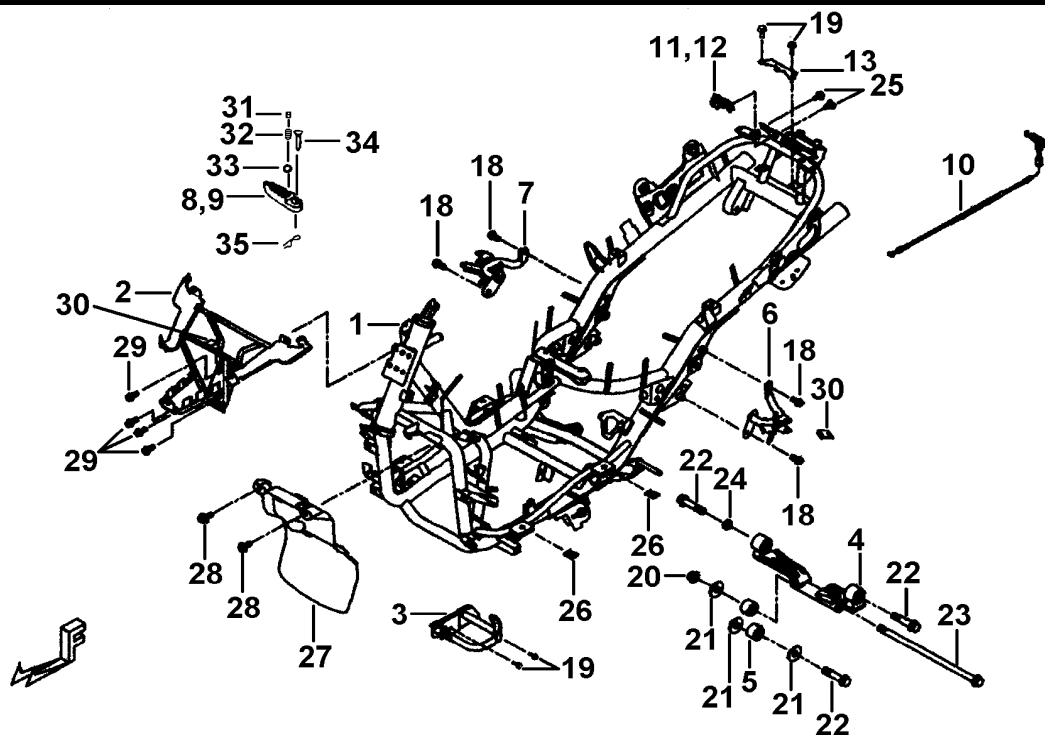


ITEM	PART NO	DESCRIPTION	Q'TY	AMEND	NOTE
01	413899	FRAME	1		
02	414910	BRKT	1		
03	414907	BRKT	1		
04	411999	ROCKER ARM ASSY., HANGER	1		
05	411978	LINKING ROD, E/G	1		
06	414942	BRKT, FOOTREST, PILLON, LH.	1		
07	414943	BRKT, FOOTREST, PILLON, RH.	1		
08	414944	FOOTREST COMP., PILLON, LH.	1		
09	414945	FOOTREST COMP., PILLON, RH.	1		
10	414903	CABLE, LOCK SET, SEAT	1		
11	411993	LATCH, LH.	1		
12	411994	LATCH, RH.	1		
13	414904	BRKT	1		
18	S21809	BOLT M8X1.25X18L	4		
19	GA555SC05	BOLT, OUTLET M6X1.0X16L	4		
20	N25201	NUT, SELFLOCK M12X1.25	1		
21	W99221	WASHER	3		
22	S20211	BOLT M12X55L	3		
23	S20210	BOLT M12X275L	1		
24	W99220	WASHER	1		
25	GA555SC02	SCREW, AN HEAD	4		
26	N32601	NUT, SPRING	4		
27	414900	PLATE, PROTECT	1		

19-1

## FRAME

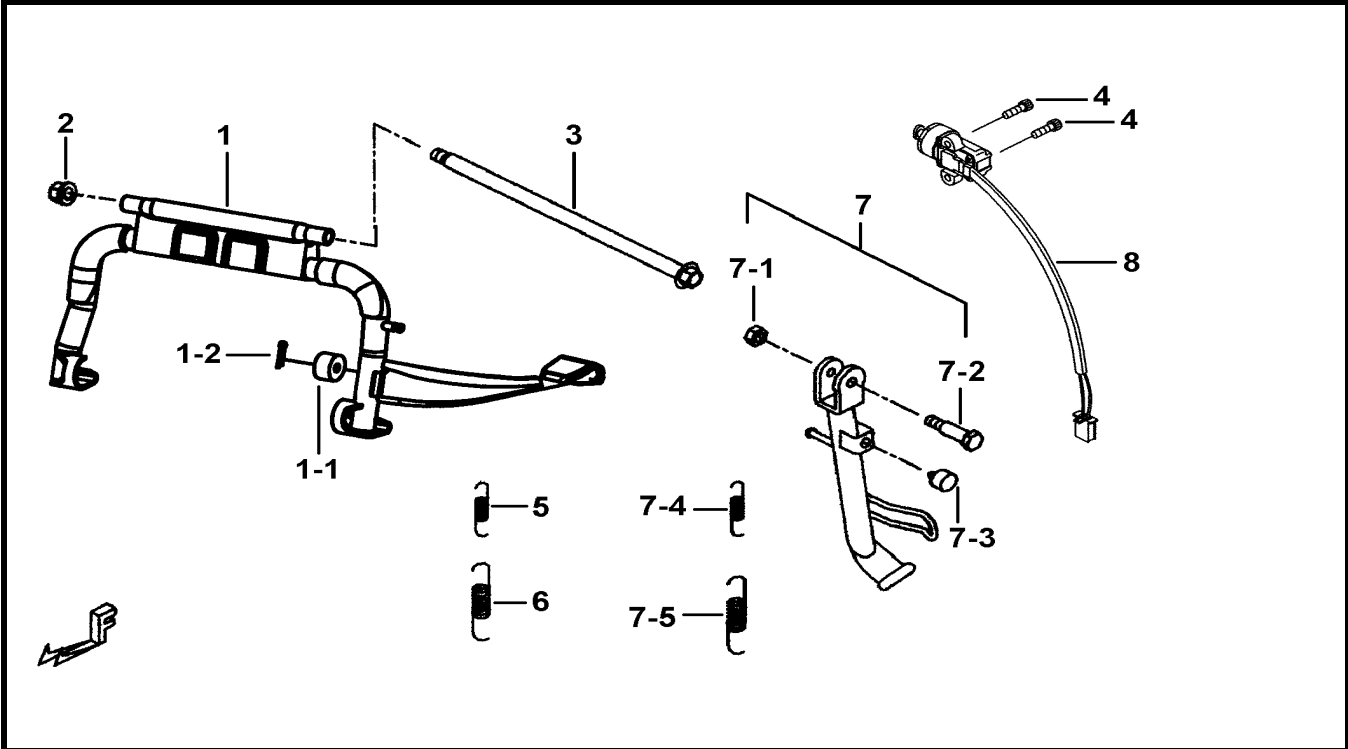
CUZ-B



ITEM	PART NO	DESCRIPTION	Q'TY	AMEND	NOTE
28	S25602	BOLT M6X16L	2		
29	S20817	BOLT, FLANGE M8X16	4		
30	N32601	NUT, SPRING	3		
31	S96812	SCREW, SOCKET HEAD M8X6	2		
32	414959	SPRING, COMPRESSION 6X11	2		
33	GF519FE04	BALL 6.35	2		
34	P51801	PIN	2		
35	GA551PN01	COTTER PIN 1.5X30	2		

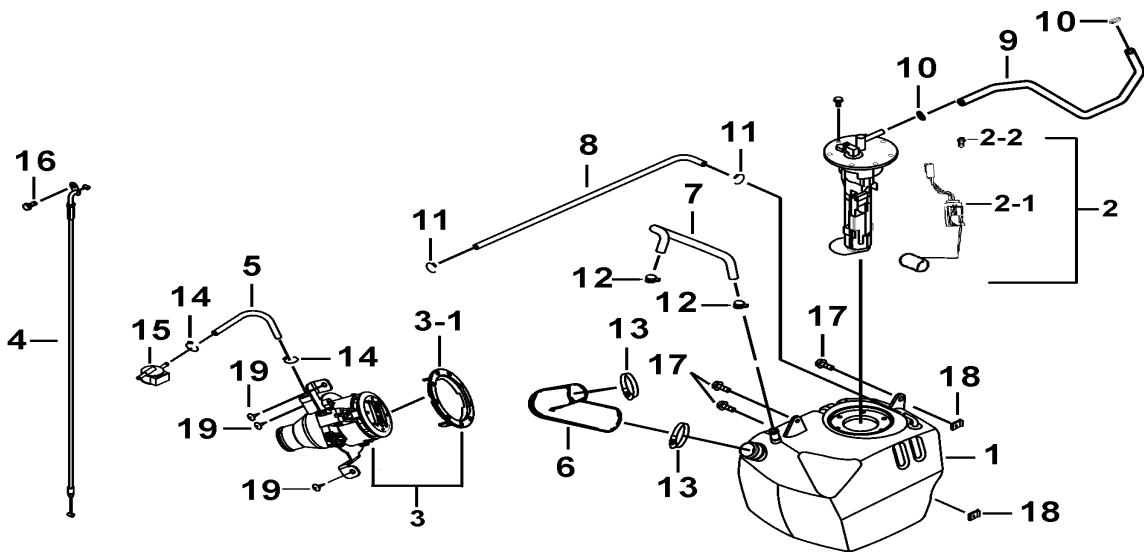


20	STAND	CUZ-B
----	-------	-------

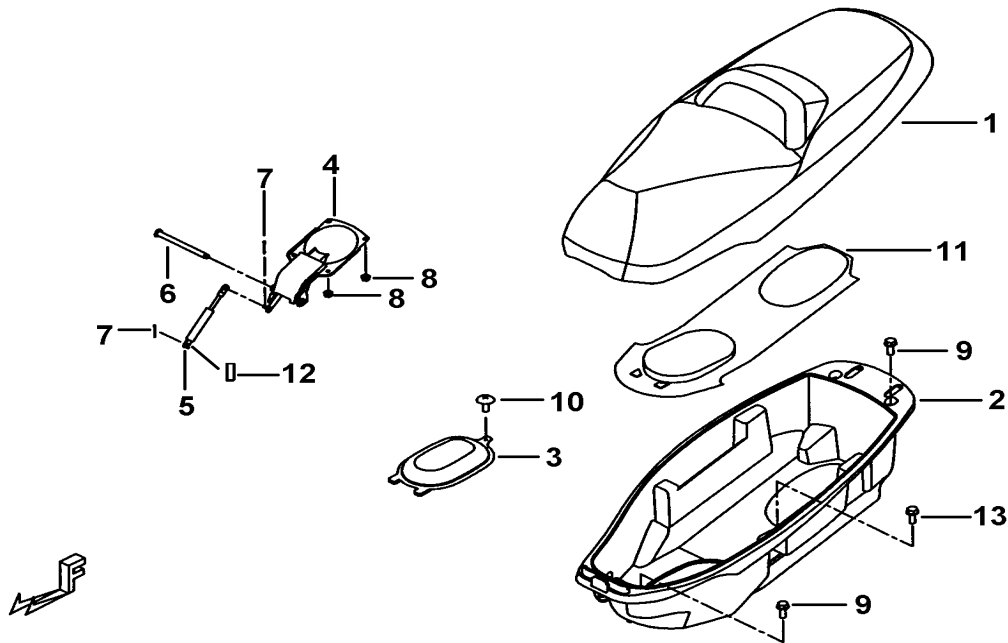


ITEM	PART NO	DESCRIPTION	Q'TY	AMEND	NOTE
01	412085A	STAND COMP., MAIN	1		
01-1	412086	CUSHION	1		
01-2	GA551PN04	PIN, COTTER	1		
02	GA551NT01	NUT, SELFLOCK M10X1.25	1		
03	S99005	SHAFT, MAIN STAND	1		
04	S79501	SCREW, SOCKET HEAD M5x16	2		
05	412062	SPRING	1		
06	412061	SPRING	1		
07	414019	STAND COMP., SIDE	1		
07-1	GA551NT04	NUT, HEX. HEAD M8	1		
07-2	S99807	BOLT M8X40L	1		
07-3	412065	CUSHION	1		
07-4	412060	SPRING	1		
07-5	412059	SPRING	1		
08	440935	SWITCH, SIDE STAND	1		

21	FUEL TANK	CUZ-B
----	-----------	-------

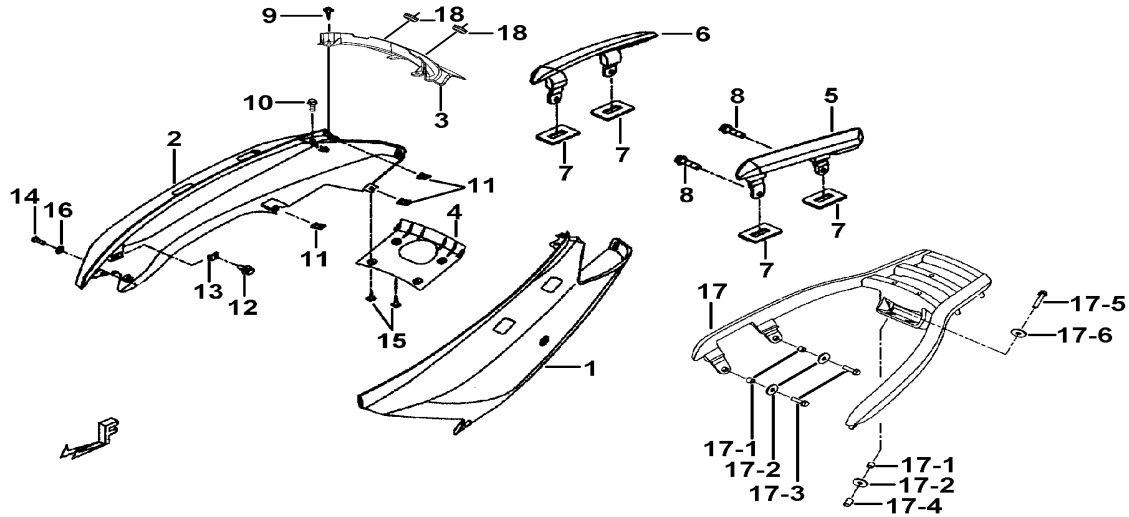


ITEM	PART NO	DESCRIPTION	Q'TY	AMEND	NOTE
01	412183A	TANK, FUEL	1		
02	412157	FUEL PUMP ASSY.	1	-001194	
02-1	553726A	FUEL UNIT COMP	1		
02-2	553728	FUEL PUMP BOLT	6		
02A	553723	FUEL PUMP ASSY.	1	001195-	
03	412146VS	CAP COMP., FUEL TANK (VOGAE SILVER)	1		
03-1	414056	OUT RING	1		
04	412158	CABLE, FUEL TANK CAP	1		
05	412190	HOSE	1		
06	412152	HOSE	1		
07	412154	HOSE	1		
08	412153	HOSE	1		
09	412155	HOSE	1		
10	R65201	CLIP	2		
11	R36801	CLIP 8.5	3		
12	R40601	CLIP	2		
13	R65301	CLIP	2		
14	R40801	CLIP	1		
15	412138	FUEL CUT VALVE	1		
16	S41501	BOLT M5X12	1		
17	GA555SC05	BOLT, OUTLET M6X1.0X16L	3		
18	N32601	NUT, SPRING	2		
19	S50501	SCREW, OVAL HEAD M5X12L	3		



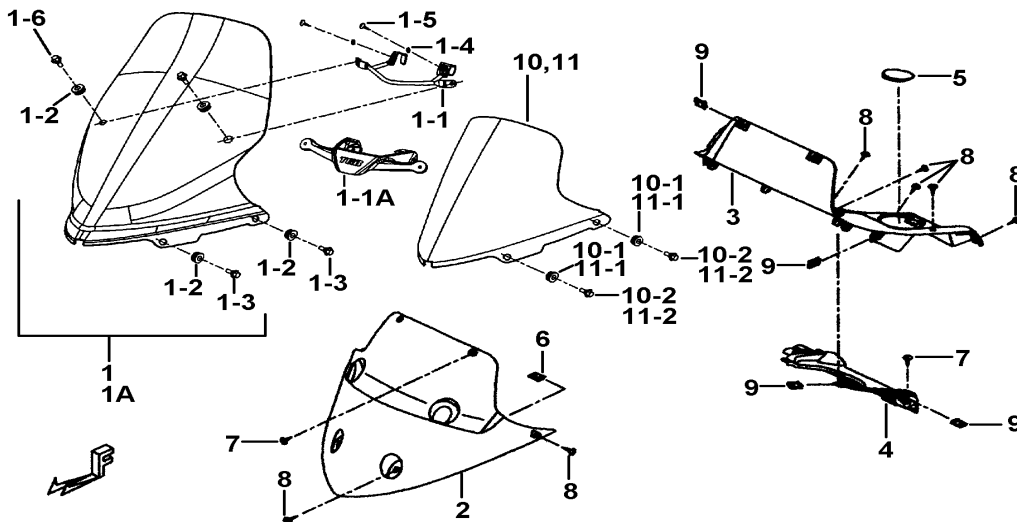
ITEM	PART NO	DESCRIPTION	Q'TY	AMEND	NOTE
01	452070	SEAT SET	1		
02	452046A	HELMET CASE	1		
03	452047	CAP, HELMET CASE	1		
04	452068	BRKT, SEAT	1		
05	452069	DAMPER	1		
06	P31001	PIN	1		
07	GA551PN01	COTTER PIN 1.5X30	2		
08	GA554NT04	NUT, FLANGE M6xP1.0	4		
09	S07601	BOLT, FLANGE M6X16 (Dark Green)	4		
10	GA555SC02	SCREW, AN HEAD	1		
11	452048	LUGGAGE BOX LINING	1		
12	401921	SPACER	1		
13	S25602	BOLT M6X16L	2		

23	ADDITIONS OF SIDE COVER	CUZ-B
----	-------------------------	-------



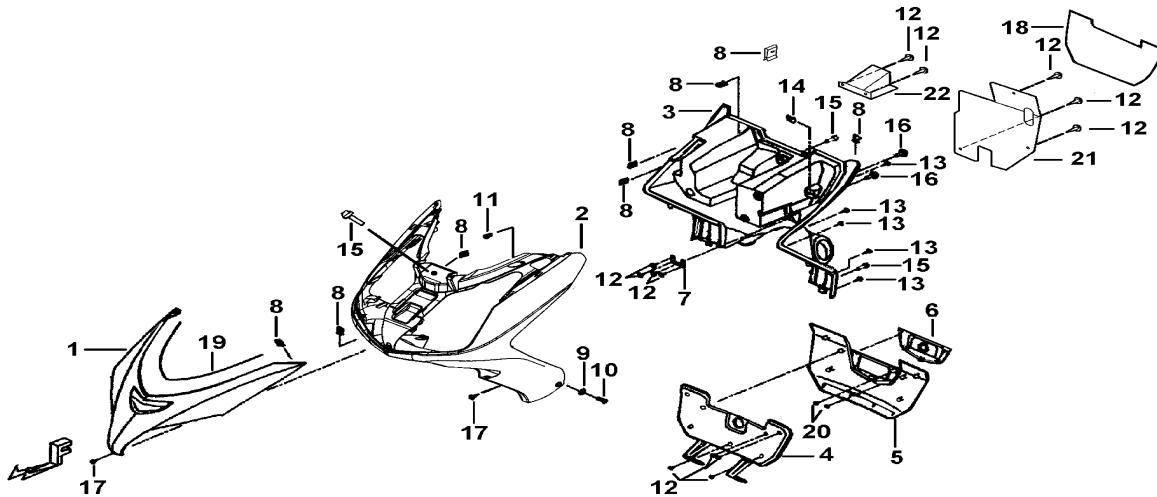
ITEM	PART NO	DESCRIPTION	Q'TY	AMEND	NOTE
01	453070	COVER SIDE, LH.	1		
02	453071	COVER SIDE, RH.	1		
03	453077	COVER TAIL, UPPER	1		
03A	453078	COVER TAIL, UPPER(BROACH)	1		OPTION
04	453075	COVER TAIL, UNDER	1		
05	412411VS	HANDLE, LH. (VOGAE SILVER)	1		
06	412412VS	HANDLE, RH. (VOGAE SILVER)	1		
07	412413	DAMPER, RUBBER	4		
08	S20802	BOLT, FLANGE M8X30L	4		
09	GA552SC11	SCREW, TAPPING M4X16	2		
10	GA555SC05	BOLT, OUTLET M6X1.0X16L	2		
11	GA552NT01	NUT, SPRING M4	6		
12	S07601	BOLT, FLANGE M6X16 (Dark Green)	2		
13	N32601	NUT, SPRING	2		
14	S72503	BOLT M5X16	2		
15	S50406	SCREW, TAPPING M4X16	4		
16	W99525	WASHER	2		
17	412414A	REAR CARRIER ASSY.	1		OPTION
17-1	412415	SPACER 8.5X12X10	6		
17-2	W99824	WASHER 8.5	6		
17-3	S20802	BOLT, FLANGE M8X30L	4		
17-4	412416	SPACER 8.5X12X17	2		
17-5	S20819	BOLT M8X45L	2		
17-6	W99017	WASHER	2		
18	453076	RUBBER PLUG	2		OPTION

<b>24</b>	<b>WIND-SHIELD</b>	<b>CUZ-B</b>
-----------	--------------------	--------------

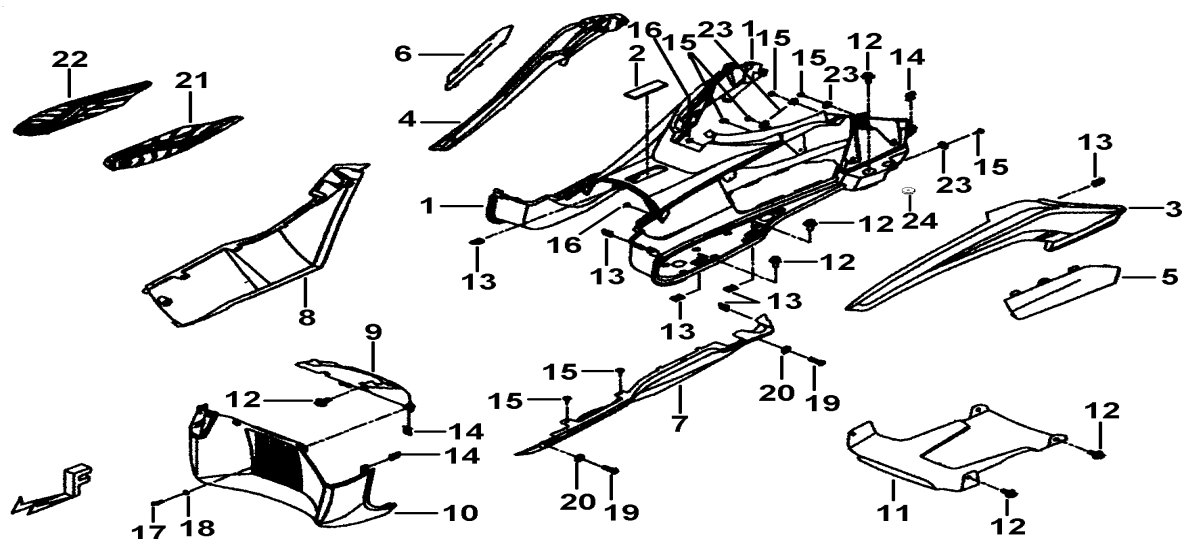


ITEM	PART NO	DESCRIPTION	Q'TY	AMEND	NOTE
01	454060A	WIND SHIELD (BIG)(STEEL)	1		OPTION
01-1	454065	FIXED ROD(STEEL)	1		OPTION
01-1A	454070	BRACKET(PLASTIC)	1		OPTION
01-2	451051	DAMPER, RUBBER	6		
01-3	S25603	BOLT	4		
01-4	W99438	WASHER	2		
01-5	S51405	SCREW TAPPING	2		
01-6	S72505	BOLT M5X17	2		
01A	454060B	WIND SHIELD (BIG)(PLASTIC)	1		OPTION
02	457143A	FRONT, SPEEDOMETER COVER	1		
03	457157	SPEEDOMETER COVER	1		
04	457144	SPEEDOMETER COVER(SMALL)	1		
05	454069	WATER TANK COVER	1		
06	N32401	NUT, SPRING	2		
07	S50401	SCREW TAPPING M4X12	4		
08	GA552SC11	SCREW, TAPPING M4X16	14		
09	GA552NT01	NUT, SPRING M4	8		
10	454051A	WIND SHIELD SET 540mm	1		OPTION
10-1	451051	DAMPER, RUBBER	4		
10-2	S25603	BOLT	4		
11	454061A	WIND SHIELD (SMALL)	1		OPTION
11-1	451051	DAMPER, RUBBER	4		
11-2	S25603	BOLT	4		

25	FRONT LEG SHIELD	CUZ-B
----	------------------	-------



ITEM	PART NO	DESCRIPTION	Q'TY	AMEND	NOTE
01	454052	COVER, LEG SHIELD, FRONT	1		
02	454071	LEG SHIELD, FRONT	1		
03	454058	COVER SET, LEG SHIELD	1		
04	454057	FRONT, LUGGAGE BOX LINING	1		
05	454056	FRONT, LUGGAGE BOX COVER	1		
06	454054	FRONT, LUGGAGE BOX GARNISH	1		
07	454059	FIXED PLATE	2		
08	GA552NT01	NUT, SPRING M4	12		
09	W99525	WASHER	2		
10	S72503	BOLT M5X16	2		
11	GA510SC03	SCREW, HEX. HEAD M6X16	2		
12	S50401	SCREW TAPPING M4X12	20		
13	GA552SC11	SCREW, TAPPING M4X16	9		
14	N32601	NUT, SPRING	1		
15	GA555SC05	BOLT, OUTLET M6X1.0X16L	4		
16	S25602	BOLT M6X16L	2		
17	S50406	SCREW, TAPPING M4X16	3		
18	454062	ORNAMENTAL, COVER	1		
19	454064	ORNAMENTAL	1		
20	S50402	SCREW, TAPPING M4X10	4		
21	454067	PLATE PROTECT BATTERY	1		
22	454066	COVER	1		

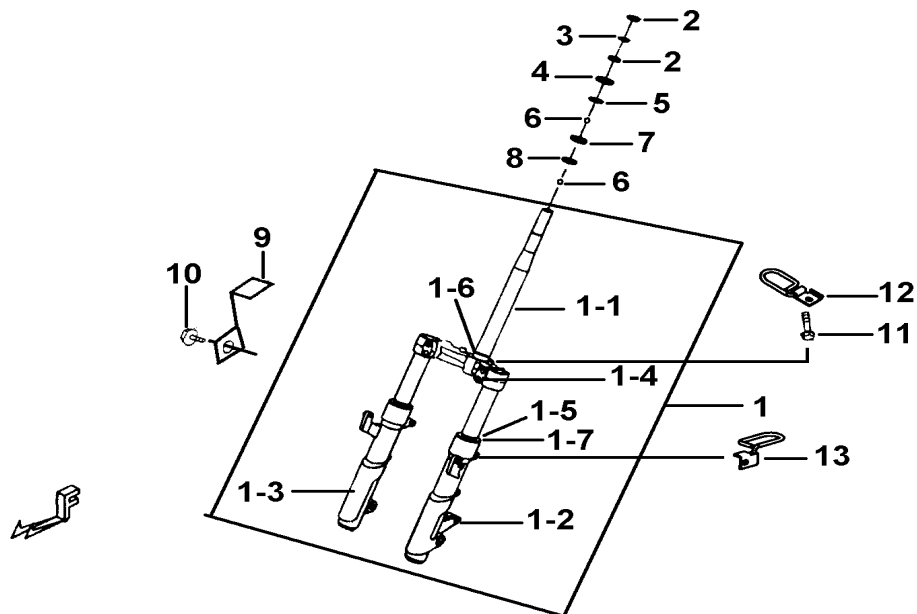


ITEM	PART NO	DESCRIPTION	Q'TY	AMEND	NOTE
01	455055	LEG SHIELD, REAR	1		
02	BH125PL04	COVER SET, LEG SHIELD, SMALL	1		
03	455063	COVER RIB, LH.	1		
04	455064	COVER RIB, RH.	1		
05	455056	COVER MAINTAIN, LH.	1		
06	455057	COVER MAINTAIN, RH.	1		
07	455052	LEG SHIELD, SIDE LH.	1		
08	455053	LEG SHIELD, SIDE RH.	1		
09	456022	FRONT FENDER, INNER	1		
10	455051	LEG SHIELD, LOWER	1		
11	455054	FENDER REAR, TANK FUEL	1		
12	S25602	BOLT M6X16L	12		
13	GA552NT01	NUT, SPRING M4	9		
14	N32501	NUT, SPRING M5	6		
15	GA552SC11	SCREW, TAPPING M4X16	12		
16	S50402	SCREW, TAPPING M4X10	4		
17	S72503	BOLT M5X16	2		
18	W99525	WASHER	2		
19	S72605	BOLT, HEX HEAD M6X16 (Silver White)	4		
20	GA555WS02	WASHER	4		
21	455060	CUSHION, LEG SHIELD, LH.	1		
22	455061	CUSHION, LEG SHIELD, RH.	1		
23	GA552WS05	WASHER 5.2X10X0.8	6		
24	455077	RUBBER PLUG	2		

27

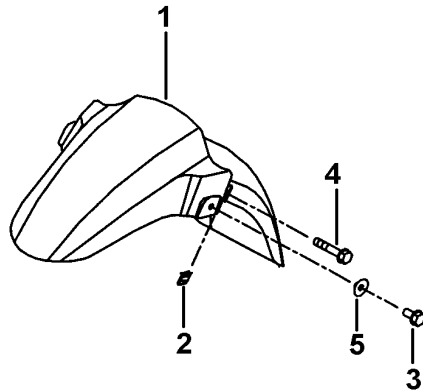
## FRONT FORK

CUZ-B



ITEM	PART NO	DESCRIPTION	Q'TY	AMEND	NOTE
01	412733	FORK COMP., FRONT	1		
01-1	414036	CENTREL BAR ASSY.	1		
01-2	414037	FORK COMP., FRONT LH.	1		
01-3	414038	FORK COMP., FRONT RH.	1		
01-4	S20009	BOLT, HEX. HEAD M10X1.25X48L	4		
01-5	414049	OIL SEAL	2		
01-6	414064	RACE, STEERING, INNER, LOWER	1		
01-7	414214	DUST GUARD COVER	2		
02	GA556NT01	NUT, SLOTTED	2		
03	W33201	WASHER	1		
04	412723	COVER, ANTI-DUST	1		
05	412725	RACE, STEERING, INNER, UPPER	1		
06	BH127FE01	BALL	54		
07	412726	RACE, STEERING INNER	1		
08	412724	RACE, STEERING INNER	1		
09	457156	BRKT, CABLE, SPEEDOMETER	1		
10	GA556SC01	BOLT, FLANGE M6X1.0X12L	1		
11	GA555SC05	BOLT, OUTLET M6X1.0X16L	1		
12	412734	BRACKET	1		
13	412716	BRKT, BRAKE HOSE	1		



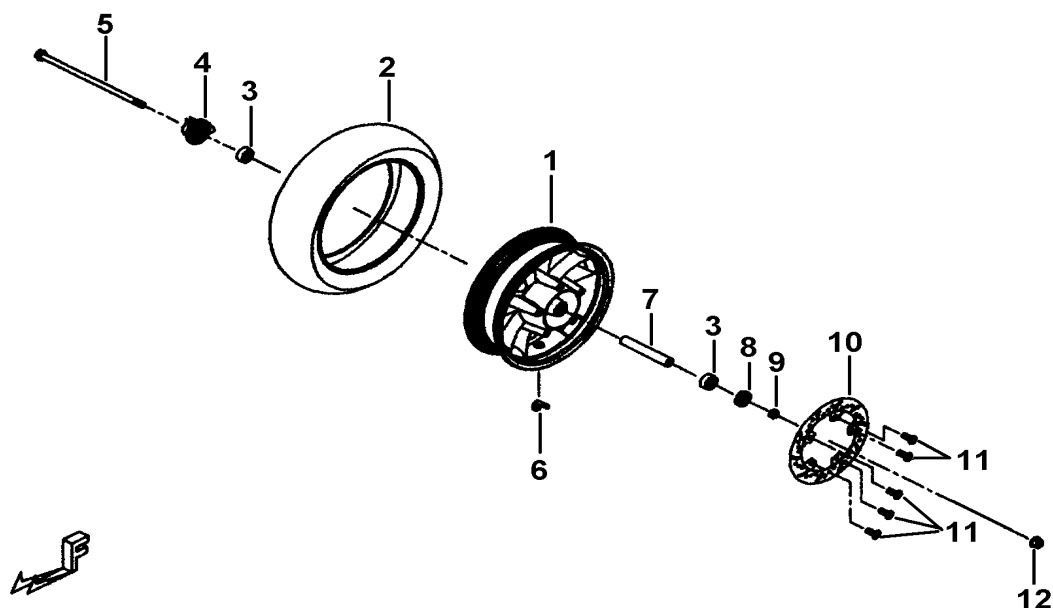


ITEM	PART NO	DESCRIPTION	Q'TY	AMEND	NOTE
01	456021	FRONT FENDER	1		
02	N32601	NUT, SPRING	2		
03	S72605	BOLT, HEX HEAD M6X16 (Silver White)	2		
04	S20604	SCREW, PAN HEAD M6X32	2		
05	GA555WS02	WASHER	2		

29

## FRONT WHEEL

CUZ-B

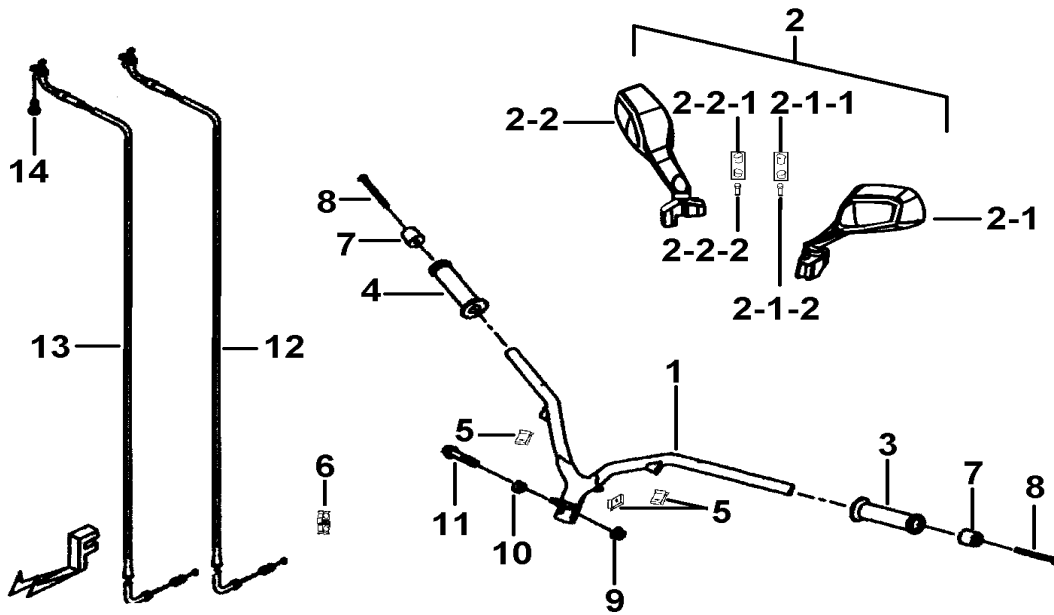


ITEM	PART NO	DESCRIPTION	Q'TY	AMEND	NOTE
01	412957IGY	RIM COMP., FRONT WHEEL 3.5X14" (IRON GRAY)	1		
02	412947	TIRE 120/70-14	1		
03	924166	BEARING 12X32X10	2		
04	412962	GEAR COMP., SPEEDOMETER	1		
05	S20210	BOLT M12X275L	1		
06	GF5299901	INLET COMP., AIR	1		
07	412958	COLLAR	1		
08	GI529OS01	OIL SEAL 18X35X7	1		
09	GI529BS01	COLLAR	1		
10	412956Y	DISC, BRAKE 260mm	1		
10A	412952Y	WAVE BRAKE DISC 260mm	1		OPTION
11	GA558SC02	BOLT M8X1.25X15L	5		
12	N25201	NUT, SELFLOCK M12X1.25	1		

30

## HANDLE BAR

CUZ-B

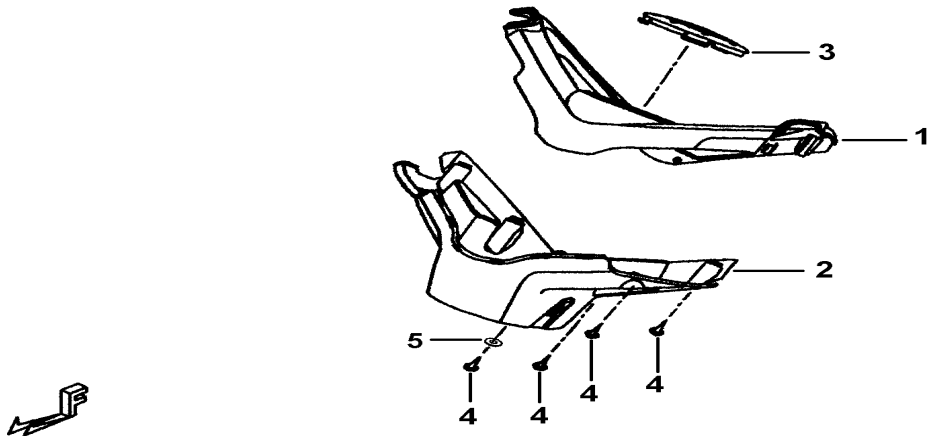


ITEM	PART NO	DESCRIPTION	Q'TY	AMEND	NOTE
01	413034	HANDLE BAR ASSY.	1		
02	417014	MIRROR ASSY., REAR VIEW	1		
02-1	415310	MIRROR, REAR VIEW, LH.	1		
02-1-1	415317	RUBBER PLUG COMP. (LH)	1		
02-1-2	S70620	BOLT, HEX HEAD	2		
02-2	415311	MIRROR, REAR VIEW, RH.	1		
02-2-1	415318	RUBBER PLUG COMP. (RH)	1		
02-2-2	S70620	BOLT, HEX HEAD	2		
03	413075	GRIP, LH.	1		
04	413076	GRIP, RH.	1		
05	GA552NT01	NUT, SPRING M4	3		
06	417010	CARGO LASH	2		
07	413085	END, GRIP	2		
08	S35608	BOLT, M6X22L	2		
09	GA551NT01	NUT, SELFLOCK M10X1.25	1		
10	413087	COUAR HANDLE SET	1		
11	S20009	BOLT, HEX. HEAD M10X1.25X48L	1		
12	413022	CABLE	1		
13	413006	CABLE, THROTTLE	1		
14	S41501	BOLT M5X12	1		

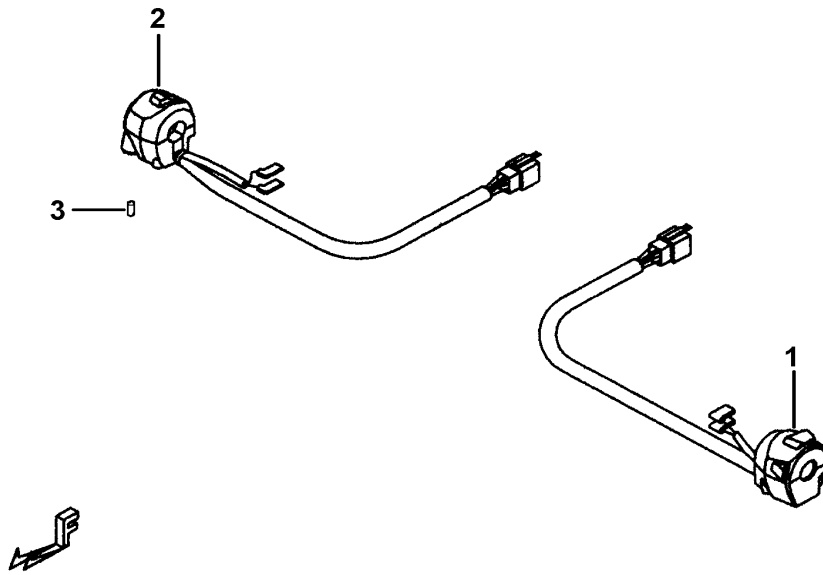
31

## HANDLE BAR COVER

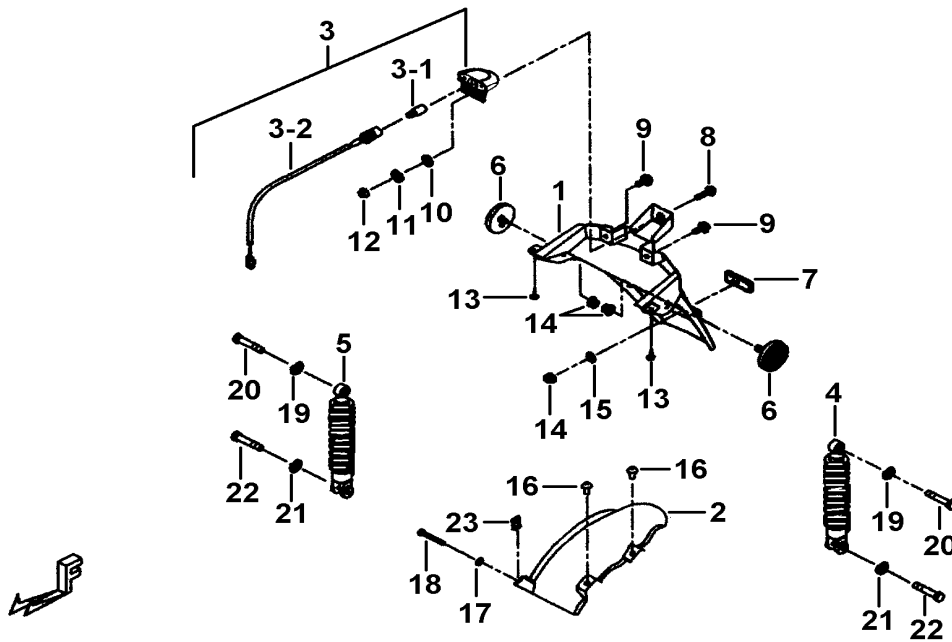
CUZ-B



ITEM	PART NO	DESCRIPTION	Q'TY	AMEND	NOTE
01	457141	COVER, HANDLE BAR, UPPER	1		
02	457142	COVER, HANDLE BAR, UNDER	1		
03	457145	ORNAMENTAL, HANDLE BAR	1		
04	GA552SC11	SCREW, TAPPING M4X16	5		
05	GA552WS05	WASHER 5.2X10X0.8	1		



ITEM	PART NO	DESCRIPTION	Q'TY	AMEND	NOTE
01	413230	SWITCH ASSY., LH.	1		
02	413232	SWITCH ASSY., RH.	1		
03	P00401	PIN, SPRING	1		

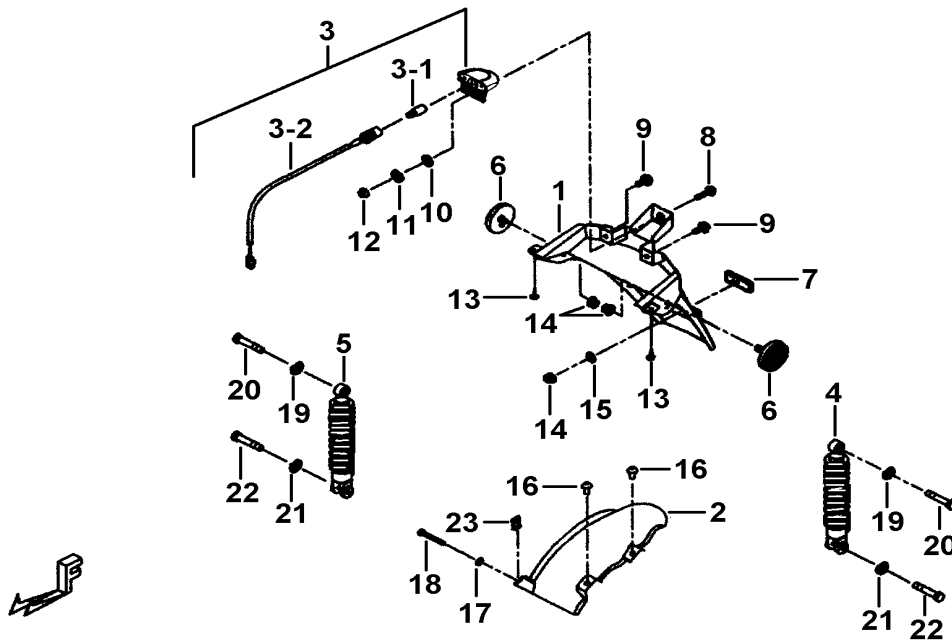


ITEM	PART NO	DESCRIPTION	Q'TY	AMEND	NOTE
01	458031	FENDER, REAR, UPPER	1		
02	458030	GUARD, MUD	1		
03	511811	NUMBER-PLATE LAMP	1		
03-1	451038	BULB 12V 5W	1		
03-2	514037	WIRING SET, NUMBER-PLATE LAMP	1		
04	413337PG	SHOCK ABSORBER ASSY., REAR(PEARLY GRAY)	2		OPTION
04B	413331A	SHOCK ABSORBER ASSY., LH, REAR(NITROGEN)	1		OPTION
04C	413331PGA	SHOCK ABSORBER ASSY., LH, REAR(PEARLY GRAY)(NITROGEN TANK)	1		OPTION
05B	413332A	SHOCK ABSORBER ASSY., RH, REAR(NITROGEN)	1		OPTION
05C	413332PGA	SHOCK ABSORBER ASSY., RH, REAR(PEARLY GRAY)(NITROGEN TANK)	1		OPTION
06	454037	REFLECTOR ASSY., SIDE(FRONT)	2		
07	511802	REFLECTOR ASSY., REAR	1		
08	GA510SC10	SCREW, HEX. HEAD M5X20	1		
09	S25602	BOLT M6X16L	2		
10	GA552WS05	WASHER 5.2X10X0.8	1		
11	W10501	SPRING WASHER	1		
12	GA552NT05	NUT, FLANGE M5	1		
13	GA552SC11	SCREW, TAPPING M4X16	2		
14	GA554NT04	NUT, FLANGE M6xP1.0	3		
15	W99605	WASHER	1		
16	GA552SC06	BOLT, OVAL HEAD 5X12	2		

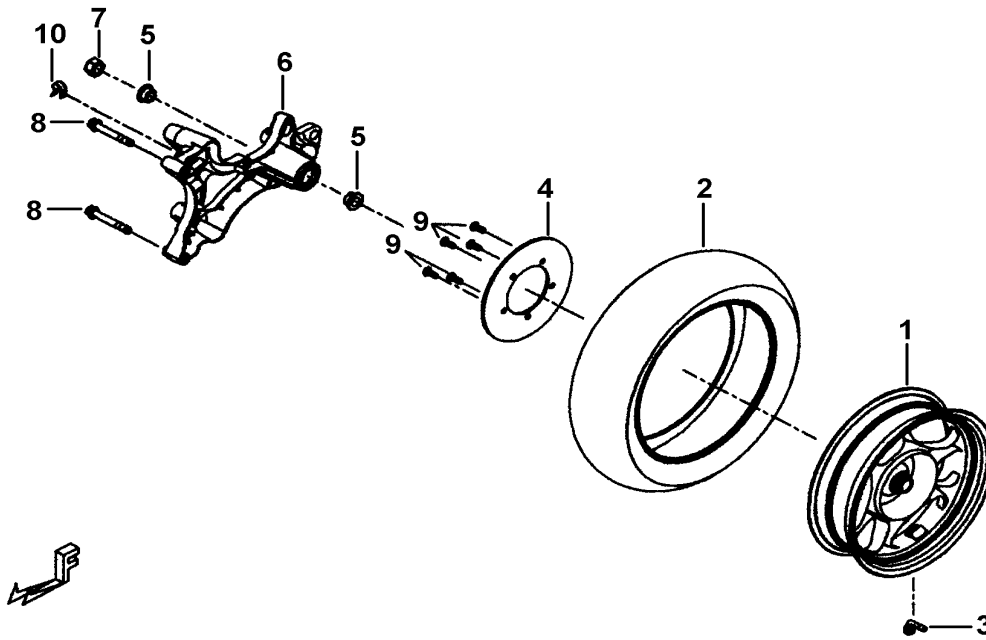
33-1

## REAR FENDER

CUZ-B

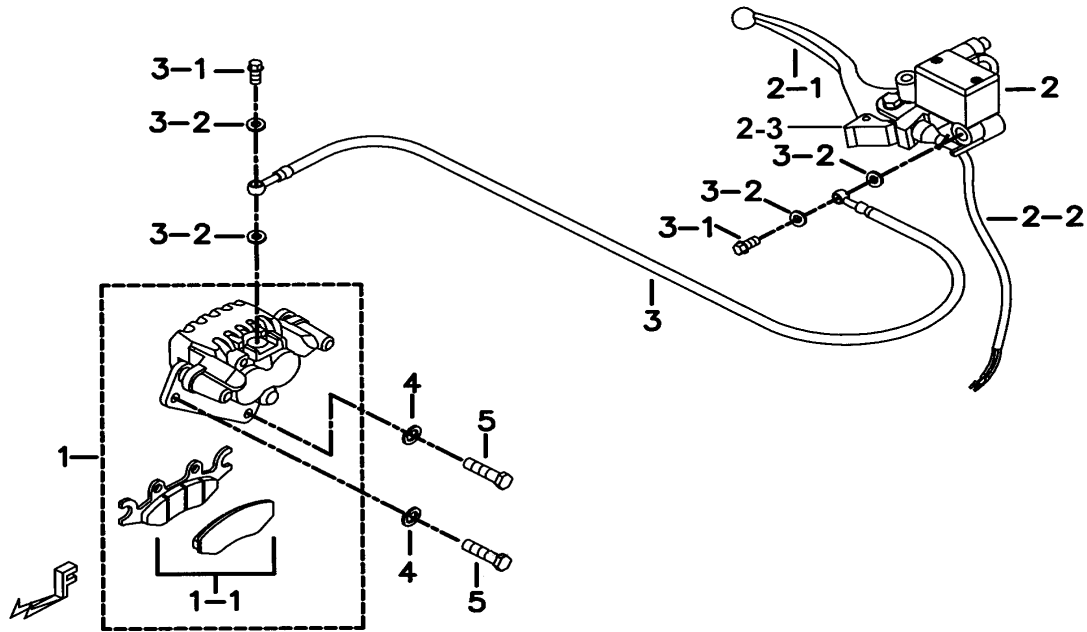


ITEM	PART NO	DESCRIPTION	Q'TY	AMEND	NOTE
17	W99602	WASHER 6.5X12X1.0	1		
18	S46505	BOLT	1		
19	GA556WS06	WASHER, SPRING 10.2X3.7X2.5t	2		
20	S20052	BOLT, FLANGE M10X1.25X40L	2		
21	GA556WS04	SPRING WASHER 8.2X3.2X2t	2		
22	S99802	BOLT, HEX. HEAD M8X35	2		
23	N32501	NUT, SPRING M5	1		

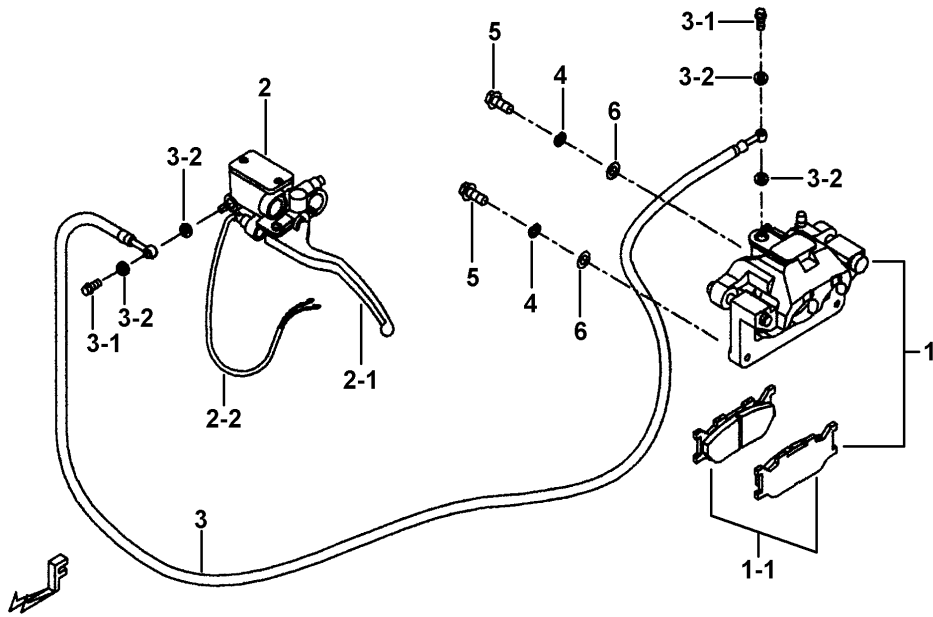


ITEM	PART NO	DESCRIPTION	Q'TY	AMEND	NOTE
01	413421IGY	RIM COMP., REAR WHEEL 4.0X13" (IRON GRAY)	1		
02	413420	TIRE 140/60-13	1		
03	GF5299901	INLET COMP., AIR	1		
04	413424Y	DISC, BRAKE 220mm	1		
05	413423	COLLAR	2		
06	413422	REAR FORK ASSY.	1		
07	GA558NT03	NUT, SELFLOCK M16X14	1		
08	S20028	BOLT M10X70L	2		
09	GA558SC02	BOLT M8X1.25X15L	5		
10	413417	CLAMP	1		





ITEM	PART NO	DESCRIPTION	Q'TY	AMEND	NOTE
01	413652	CALIPER	1		
01-1	414020	PAD ASSY.	1		
02	413653	MASTER CYLINDER	1		
02-1	414055	LEVER, HANDLE BAR (RH)	1		
02-2	414042	LIMITED SWITCH ASSY.	1		
02-3	414050	PARKING SWITCH	1		
03	413651	HOSE ASSY., FRONT BRAKE	1		
03-1	S21001	OIL BOLT M10X1.25X22L	2		
03-2	GA559WS04	WASHER, 10.2X15X1.2t	4		
04	W99805	WASHER	2		
05	GA558SC03	BOLT, HEX. HEAD M8X35	2		

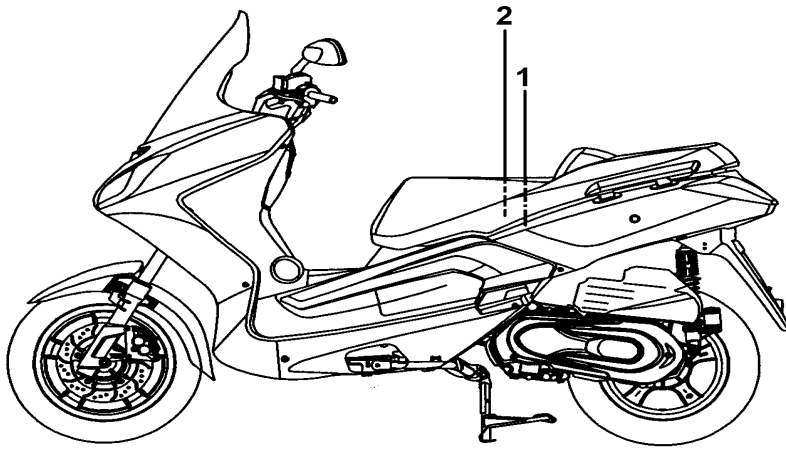


ITEM	PART NO	DESCRIPTION	Q'TY	AMEND	NOTE
01	413513	CALIPER	1		
01-1	414043	PAD ASSY.	1		
02	413514	MASTER CYLINDER	1		
02-1	414054	LEVER, HANDLE BAR (LH)	1		
02-2	414042	LIMITED SWITCH ASSY.	1		
03	413505	HOSE ASSY., FRONT BRAKE	1		
03-1	S21001	OIL BOLT M10X1.25X22L	2		
03-2	GA559WS04	WASHER, 10.2X15X1.2t	4		
04	GA556WS04	SPRING WASHER 8.2X3.2X2t	2		
05	S20821	BLOT M8X50	2		
06	W99806	WASHER 8.5X16X2	2		

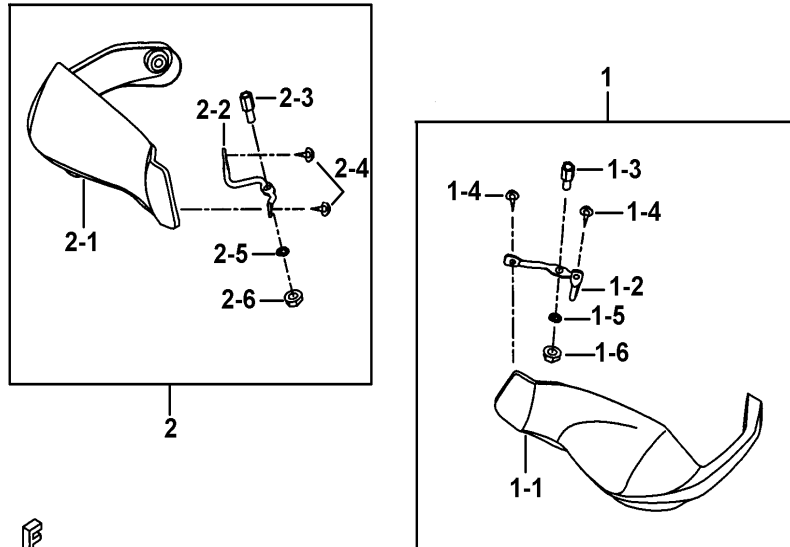
37

LABELS

CUZ-B



ITEM	PART NO	DESCRIPTION	Q'TY	AMEND	NOTE
01	459672	LABEL, LUGGAGE BOX	1		
02	459157	LABEL, WARNING	1		

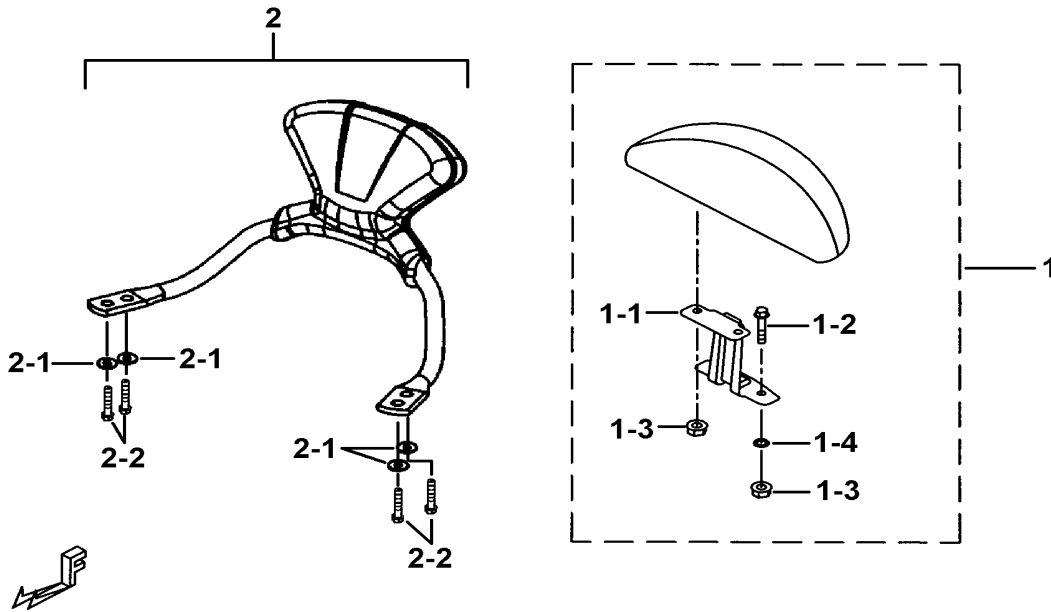


ITEM	PART NO	DESCRIPTION	Q'TY	AMEND	NOTE
01	413096A	HAND GUARDS COMP., LH.	1		
01-1	413096	HAND GUARDS, LH.	1		
01-2	513075	BKRT., HAND GUARDS, LH.	1		
01-3	S96607	BOLT, SPACER	1		
01-4	S50401	SCREW TAPPING M4X12	2		
01-5	W10601	SPRING WASHER 6.2X11.5X1 t	1		
01-6	N10602	NUT	1		
02	413097A	HAND GUARDS COMP., RH.	1		
02-1	413097	HAND GUARDS, RH.	1		
02-2	513076	BKRT., HAND GUARDS, RH.	1		
02-3	S96607	BOLT, SPACER	1		
02-4	S50401	SCREW TAPPING M4X12	2		
02-5	W10601	SPRING WASHER 6.2X11.5X1 t	1		
02-6	N10602	NUT	1		

39

## SEAT ASSY, BACK(OPTION)

CUZ-B



ITEM	PART NO	DESCRIPTION	Q'TY	AMEND	NOTE
01	414047A	PASSENGER BACK SEAT	1		
01-1	414048	BRACKET	1		
01-2	S20805	BOLT, FLANGE M8X42	2		
01-3	N25801	NUT, SELFLOCK M8	4		
01-4	W99805	WASHER	2		
02	414058A	PASSENGER BACK SEAT	1		
02-1	W99812	WASHER 1.5t	4		
02-2	S21809	BOLT M8X1.25X18L	4		