

X-Motion 125cc

To return to this index click on main picture

Section Description

0	Engine
1	Cylinder Head Assy.
2	Cylinder Assy, Crankshaft
3	Cyl Head Side Cover Assy, Oil Pump
4	R Crankcase Cover
5	Carburettor
6	Start Reduction Gear Comp
7	L Crankcase Cover
8	Driven Pulley, Moveable Drive Face
9	Air Filter
10	Transmission Cover, Counter Shaft
11	R Crankcase Comp
12	Exhaust
13	Radiator
14	Battery, Start Mag, Ign Coil, Horn
15	Wire Harness, Key Set
16	Speedometer
17	Headlamp
18	Rear Lamp
19	Frame

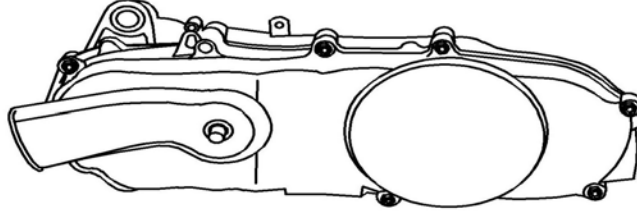
Section Description

20	Stand
21	Fuel Tank
22	Seat
23	Additions of Side Cover
24	Wind Shield
25	Front Leg Shield
26	Rear Leg Shield
27	Front Fork
28	Front Fender
29	Front Wheel, Disc
30	Handle Bar
31	Handle Bar Cover
32	Handle Bar Switches
33	Rear Fender
34	Rear Wheel, Disc
35	Calliper, Master Cylinder (Front)
36	Calliper, Master Cylinder (Rear)
37	Labels
38	Hand Guards
39	Seat Assy, Back (option)

0

ENGINE ASSY.

CU8-B

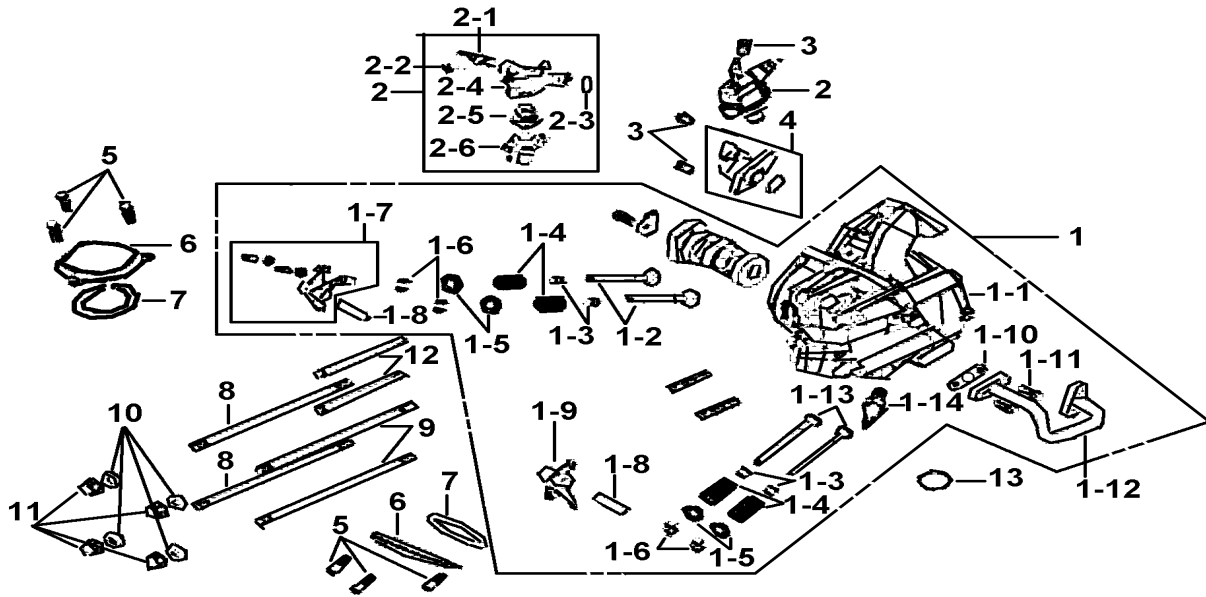


ITEM	PART NO	DESCRIPTION	Q'TY	AMEND	NOTE
01	552000	ENGINE ASSY.	1		

1

CYLINDER HEAD ASSY.

CU8-B

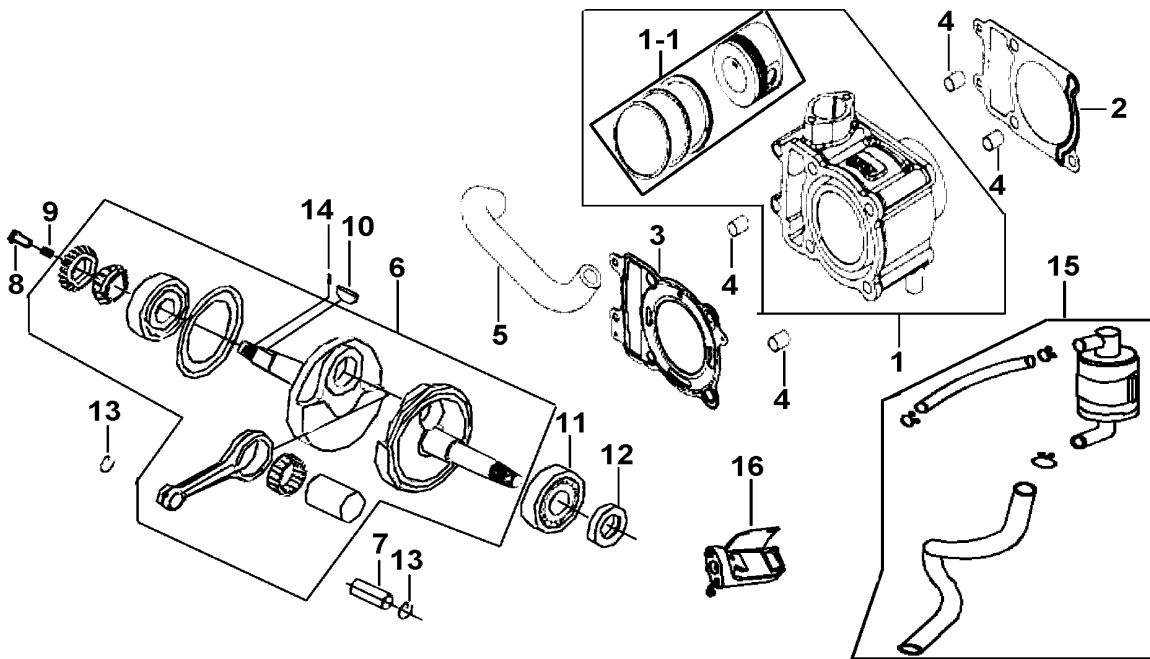


ITEM	PART NO	DESCRIPTION	Q'TY	AMEND	NOTE
01	552003	CYLINDER HEAD ASSY.	1		
01-1	552001	CYLINDER HEAD COMP	1		
01-10	923058	AIR PIPE GASKET	1		
01-11	552025	BOLT WASH 6X16	2		
01-12	552038	AIR PIPE COMP	1		
01-13	552010	EXHAUST VALVE	2		
01-14	923066	SPARK PLUG (CR8E)	1		
01-2	552009	INLET VALVE	2		
01-3	552438	VALVE STEM SEAL	1		
01-4	552011	VALVE SPRING	4		
01-5	552012	VALVE SPRING RETAINER	4		
01-6	923053	VALVE COTTER SET	2		
01-7	552030	IN.VALVE ROCKER ARM ASSY	1		
01-8	552008	IN. ROCKER ARM SHAFT	2		
01-9	552031	EX.VALVE ROCKER ARM ASSY	1		
02	552037	THERMOSTAT CASE ASSY	1		
02-1	923067	THERMO UNIT ASSY	1		
02-2	552036	FLANGE BOLT ,SH 6X18	1		
02-3	552035	O-RING 14.8X1.9	1		
02-4	552032	THERMOSTAT CASE COMP.	1		
02-5	552029	THERMOSTAT ASSY.	1		
02-6	552033	THERMOSTAT COVER	1		
03	552027	FLANGE BOLT SH. 6X20	3		
04	552015	THERMOSTAT CASE PIPE ASSY.	1		
05	552036	FLANGE BOLT ,SH 6X18	6		
06	552005	TAPPET ADJ. HOLE CAP	2		
07	552004	TAPPET ADJ. HOLE CAP GASK.	2		
08	552019	CYLINDER STUD BOLT B	2		
09	552017	CYL. STUB BOLT A	2		
10	552021	SEALING WASHER 8MM	4		
11	552022	CAP NUT 8MM	4		
12	552028	FLANGE SH. BOLT 6X95	2		
13	923054	EXH. PIPE GASKET	1		

2

CYLINDER ASSY,CRANKSHAFT COMP.,A.I.C.V.UNIT

CU8-B

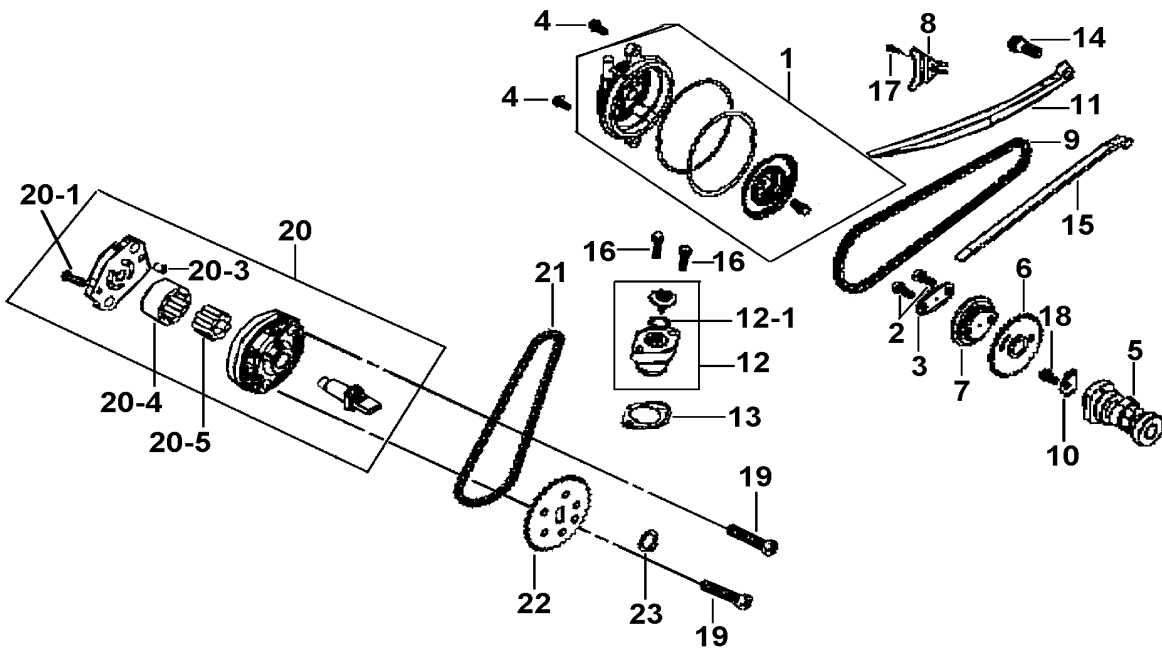


ITEM	PART NO	DESCRIPTION	Q'TY	AMEND	NOTE
01	552039A	CYLINDER ASSY.	1		
01-1	552046	PISTON COMP.	1		
02	552040	CYLINDER GASKET	1		
03	552041	CYLINDER HEAD GASKET	1		
04	552042	DOWEL PIN 11X14	4		
05	552043	WATER HOSE B	1		
06	552225	CRANK SHAFT COMP.	1		
07	552226	PISTON PIN	1		
08	552232	OIL THROUGH	1		
09	552233	OIL THROUGH SPRING	1		
10	923174	WOODRUFF KEY 25x14x4	1		
11	552237	RAD.BALL BRG.TMB3/28X2JR2V4	1		
12	552238	OIL SEAL 25X40X8	1		
13	552239	PISTON PIN CLIP 15MM	2		
14	552240	ROLLER 2.0X11.8	1		
15	552271	A.I.C.V. UNIT	1		
16	552276	REED VAL. JOINT TUBE ASSY.	1		

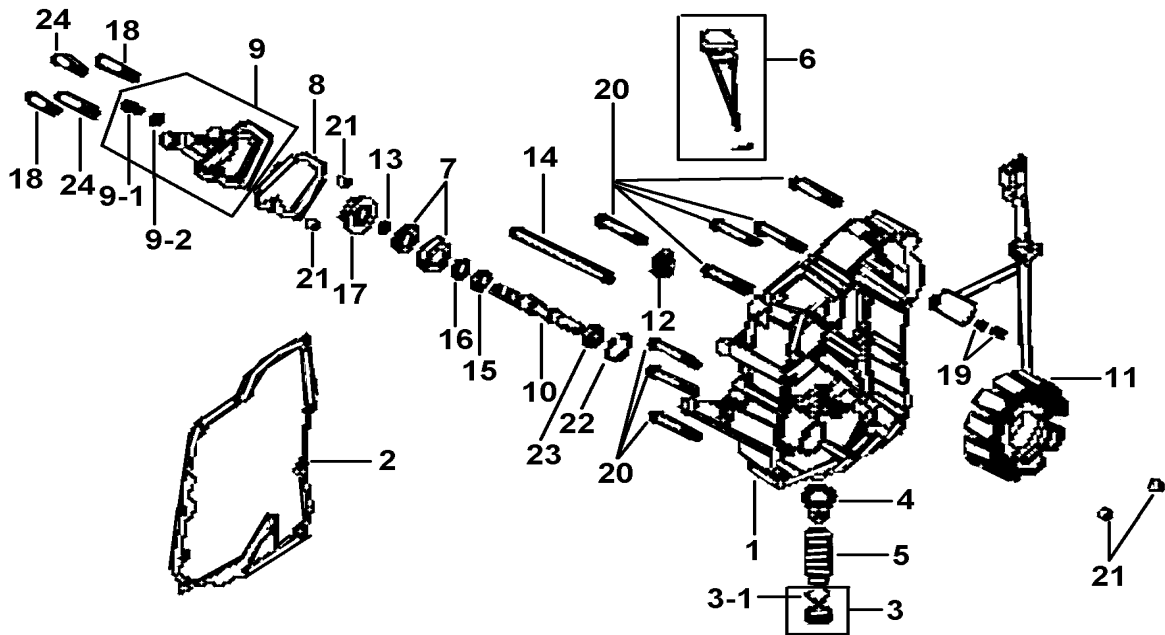
3

CYL. HEAD SIDE COVER ASSY,OIL PUMP ASSY.

CU8-B



ITEM	PART NO	DESCRIPTION	Q'TY	AMEND	NOTE
01	552047	CYL. HEAD SIDE COVER ASSY	1		
02	923241	LOCK BOLT 6MM	2		
03	923240	CAM SPROCKET WASHER	1		
04	552066	BOLT, FLANGE 6X20	2		
05	552051	CAM SHAFT COMP.	1		
06	923238	CAM SPROCKET	1		
07	923239	CENTRIFUGAL DISK	1		
08	552054	CAM CHAIN SETTING PLATE	1		
09	552055	CAM CHAIN	1		
10	552056	CAM SHAFT SETTING PLATE	1		
11	552057	CAM CHAIN TENSIONER	1		
12	552058	TENSIONER LIFTER ASSY.	1		
12-1	552065	O-RING 1.5X9.5	1		
13	923079	TENSIONER LIFTER GASKET	1		
14	923083	SCREW	1		
15	552061	GUIDE COMP. CAM CHAIN	1		
16	923084	FLANGE SHF BOLT 6x22	2		
17	552068	FLANGE BOLT SH 6X12	1		
18	923063	FLANGE BOLT 6x14	1		
19	552109	PAN SCREW 6X30	2		
20	552101	OIL PUMP ASSY.	1		
20-1	552108	SCREW PAN 3X12	1		
20-3	552110	DOWEL PIN 4X6.5	1		
20-4	552107	OIL PUMP OUTER ROTOR	1		
20-5	552106	OIL PUMP INNER ROTOR	1		
21	552105	OIL PUMP CHAIN 25-46	1		
22	552104	OIL PUMP DRIVEN SPROCKET	1		
23	923252	CIR CLIP EX 10	1		

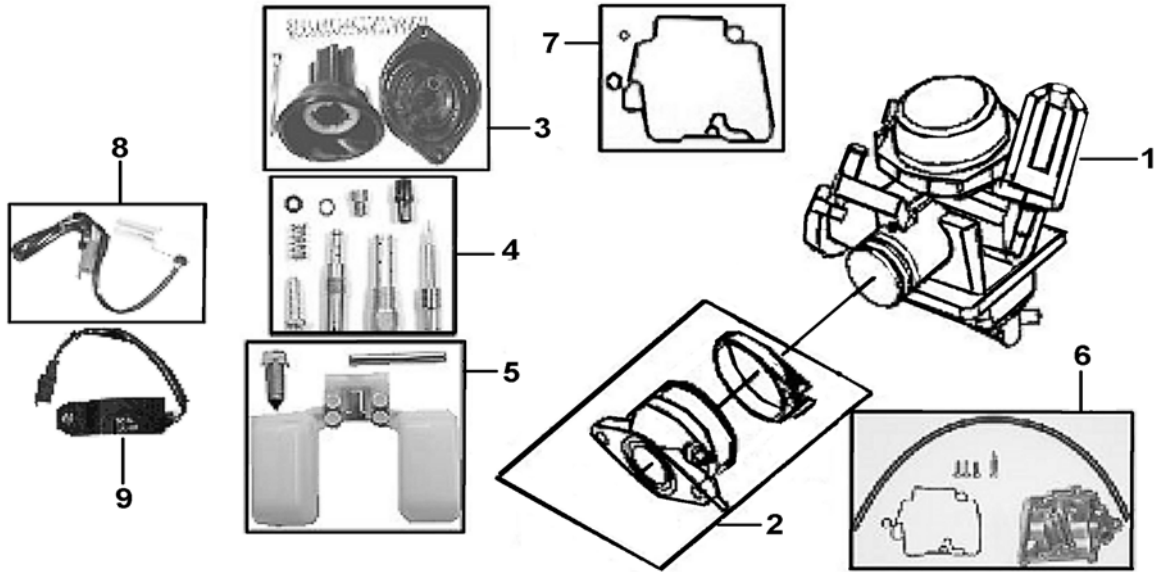


ITEM	PART NO	DESCRIPTION	Q'TY	AMEND	NOTE
01	552071	R. CASE COVER COMP.	1		
02	552072	R. CRANK CASE COVER GASK.	1		
03	923131	TAPPET ADJ HOLE CAP ASSY.	1		
03-1	923132	O-RING 30.8MM	1		
04	923136	OIL FILTER SCREEN	1		
05	923135	OIL FILTER SCREW SPG.	1		
06	552076	OIL LEVEL GAUGE ASSY.	1		
07	923142	MECHANICAL SEAL	1		
08	923143	WATER PUMP GASKET	1		
09	552079	WATER PUMP COVER ASSY.	1		
09-1	923126	FLANGE BOLT SH 6x10	1		
09-2	552512	WASHER A 6MM	1		
10	552080	WATER PUMP SHAFT	1		
11	552081	STATOR COMP.	1		
12	923148	ACG. CAP ASSY. 14MM	1		
13	923141	WASHER 7.2x13x1.2	1		
14	552098	FLANGE BOLT SH 6X125	1		
15	923146	RADIAL BALL BRG.6901	1		
16	923147	OIL SEAL 12x20x5	1		
17	552099	WATER PUMP IMPELLER	1		
18	923153	FLANGE SH BOLT 6x32	2		
19	923261	PAN SCREW 5x16	1		
20	552223	SH. FLANGE BOLT 6X50MM	8		
21	923097	DOWEL PIN 8x14	4		
22	923152	CIRCLIP IN 26	1		
23	923151	RADIAL BALL BRG. 6000	1		
24	923127	FLANGE BOLT SH 6x22	2		

5

CARBURETTOR ASSY.

CU8-B

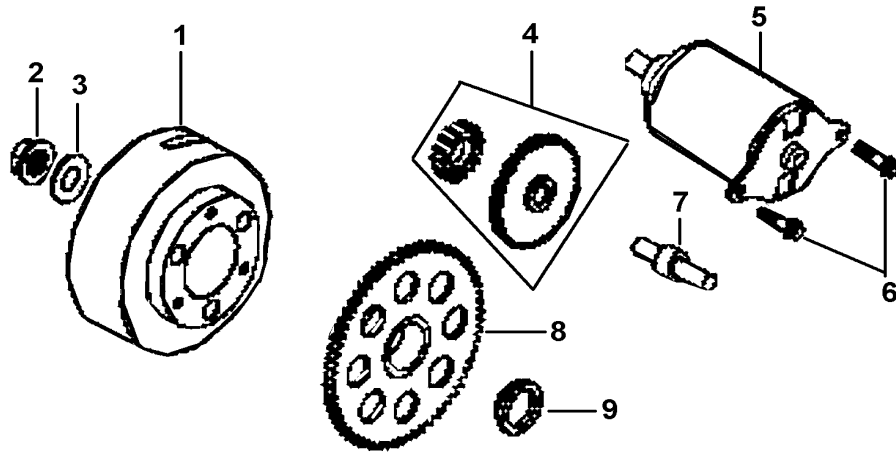


ITEM	PART NO	DESCRIPTION	Q'TY	AMEND	NOTE
01	552241	CARBURETTOR ASSY.	1		
02	552243	INLET PIPE ASSY.	1		
03	552246	CARB. NEEDLE FIX SET	1		
04	552247	CARB. SCREW FIX SET	1		
05	552248	CARB. FLOAT FIX SET	1		
06	552249	CARB. F.C.B FIX SET	1		
07	552250	CARB. GASKET FIX SET	1		
08	552251	CARB. AUTO BY-ST ASSY	1		
09	552252	THERMOSWITCH COMP.	1		

6

START. REDUCT. GEAR COMP

CU8-B

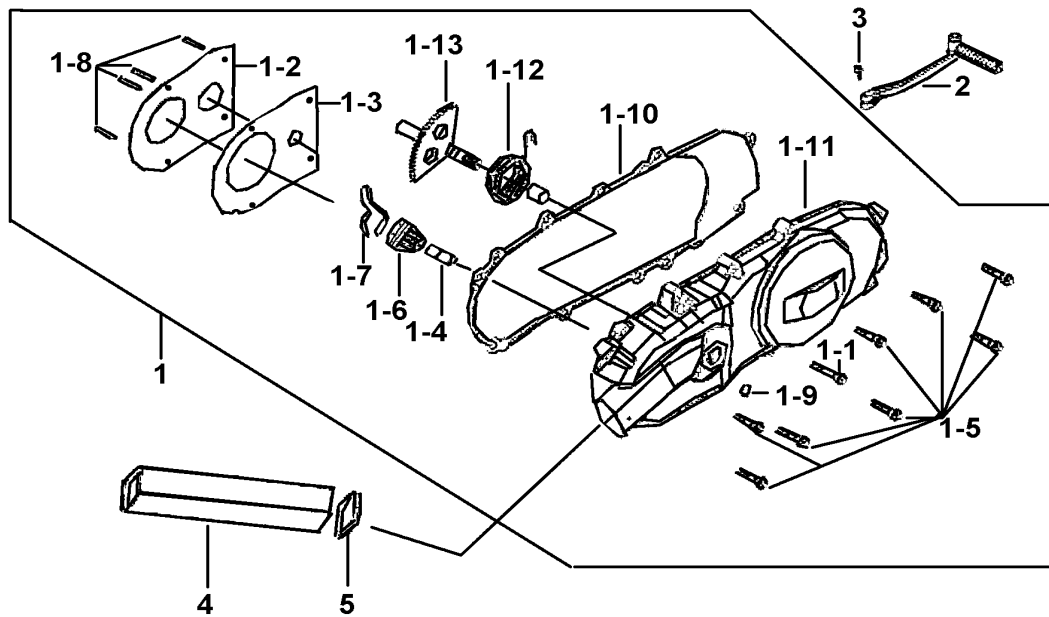


ITEM	PART NO	DESCRIPTION	Q'TY	AMEND	NOTE
01	552123	A.C.G. FLYWHEEL SET	1		
02	N10202	NUT, FLANGE 12X8	1		
03	552178	PLAIN WASHER 12MM	1		
04	552113	START. REDUCT. GEAR COMP	1		
05	552124	START MOTOR ASSY.	1		
06	552129	FLANGE BOLT SH 6X22	2		
07	552114	STA. REDUCT. GEAR SHAFT	1		
08	552115	START. CLUTCH GEAR COMP	1		
09	552116	START. DRIVEN GEAR COL.	1		

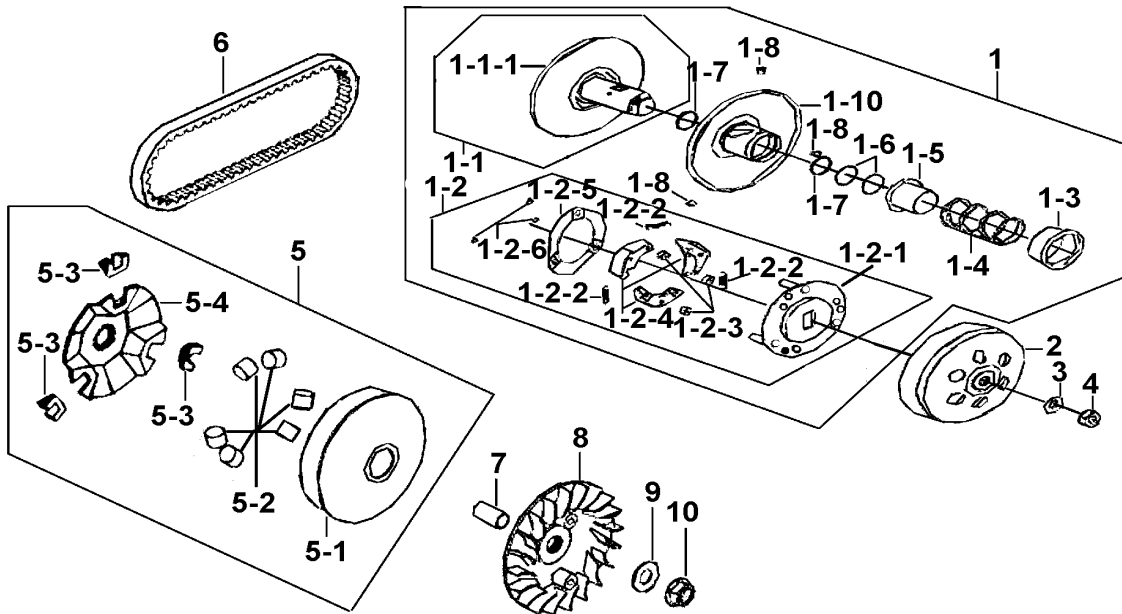
7

L. CRANK CASE COVER

CU8-B



ITEM	PART NO	DESCRIPTION	Q'TY	AMEND	NOTE
01	552130	L. CRANK CASE COVER ASSY.	1		
01-1	552142	SPECIAL BOLT 6X57 ASSY.	1		
01-10	552136	L. COVER GASKET	1		
01-11	552131	L. CRANK CASE COVER	1		
01-12	552141	KICK RETURN SPRING	1		
01-13	552139	KICK STARTER SPIND. COMP	1		
01-2	552133	L. COVER PLATE	1		
01-3	552134	L. COVER PLATE GASKET	1		
01-4	552135	KICK DRIVEN GEAR SHAFT	1		
01-5	552143	SPECIAL BOLT 6X37 ASSY.	8		
01-6	552137	KICK DRIVEN GEAR COMP	1		
01-7	552138	START GEAR FRICTION SPG.	1		
01-8	923096	PAN SCREW 5x12mm	4		
01-9	552147	EX. CIRCLIP 14MM	1		
02	552148	KICK STARTER ARM	1		
03	552149	FLANGE BOLT 6X22	1		
04	923779	CVT COOLING DUCT	1		
05	923780	CLIP	1		

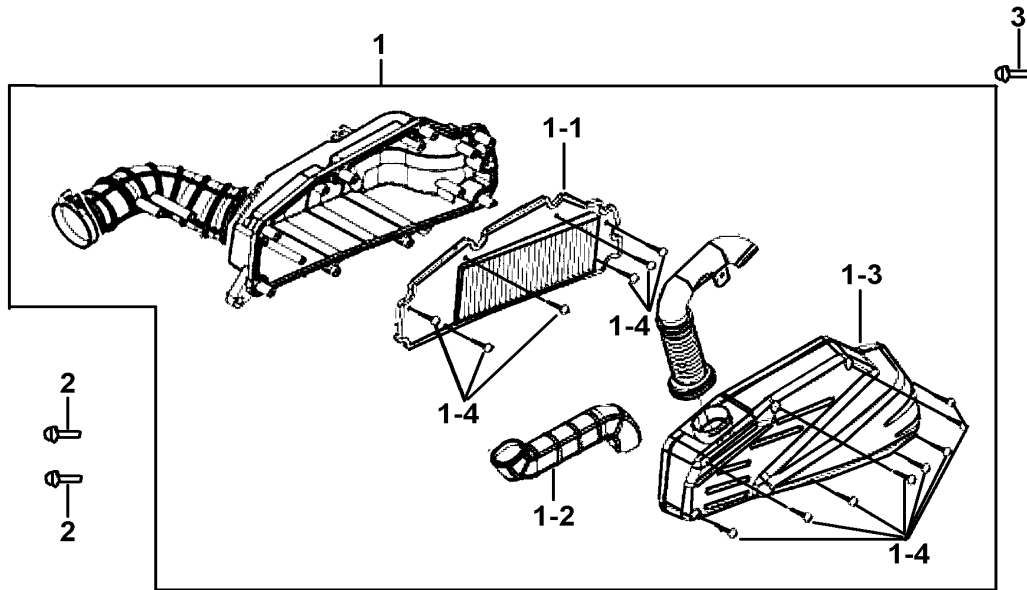


ITEM	PART NO	DESCRIPTION	Q'TY	AMEND	NOTE
01	552168	DRIVEN PULLEY ASSY.	1		
01-1	552169	DRIVEN FACE ASSY.	1		
01-10	552171	MOVA. DRIVEN FACE COMP.	1		
01-1-1	552170	DRIVEN FACE COMP.	1		
01-2	552162	DRIVE PLATE ASSY.	1		
01-2-1	552163	DRIVE PLATE COMP	1		
01-2-2	552165	CLUTCH SPRING	1		
01-2-3	552167	CLUTCH DAMPER RUBBER	1		
01-2-4	552166	CLUTCH WEIGHT(3 PCS 1 SET)	1		
01-2-5	552164	CLUTCH SIDE PLATE	1		
01-2-6	552188	E-RING 7MM	3		
01-3	552176	SPRING COLLAR	1		
01-4	552174	DRIVEN FACE SPRING	1		
01-5	552175	COLLAR SEAL	1		
01-6	552184	O-RING 38.8X1.9	2		
01-7	552183	DRIVEN FACE SEAL 34X41X4	2		
01-8	552172	ROLLER GUIDE PIN	1		
02	552161	CLUTCH OUTER	1		
03	552178	PLAIN WASHER 12MM	1		
04	N10202	NUT, FLANGE 12X8	1		
05	552150	MOVABLE DRIVE FACE	1		
05-1	552153	MOVABLE DRIVE FACE	1		
05-2	552155	WEIGHT ROLLER COMP(14.5g)	6		
05-3	552157	SLIDE PIECE	3		
05-4	552156	RAMP PLATE	1		
06	552158	DRIVE BELT	1		
07	552152	DRIVE FACE BOSS	1		
08	552151	DRIVE FACE	1		
09	552178	PLAIN WASHER 12MM	1		
10	552186	C FLANGE NUT 12MM	1		

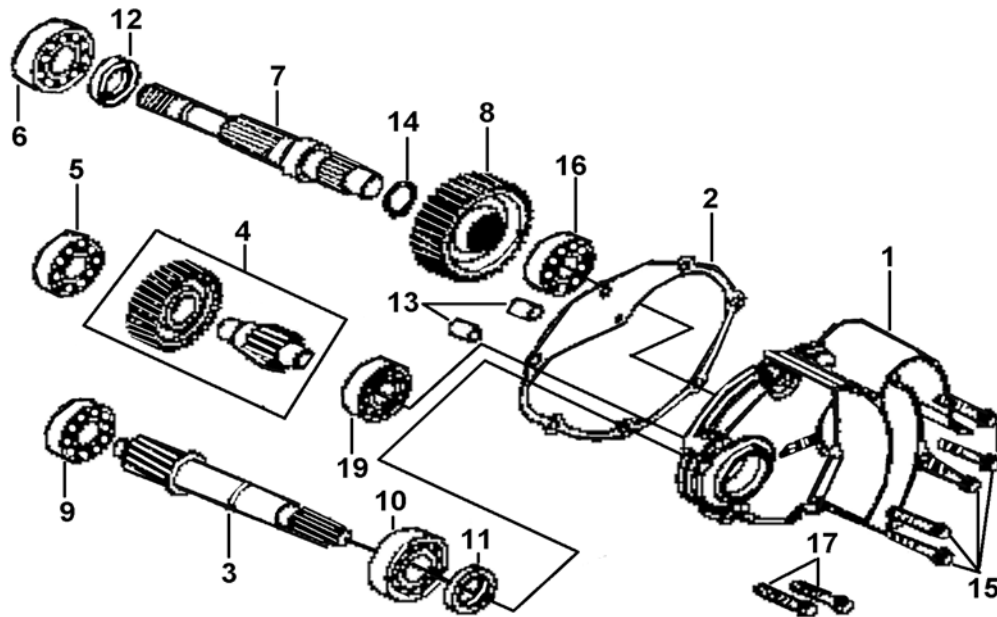
9

AIR CLEANER ASSY.

CU8-B

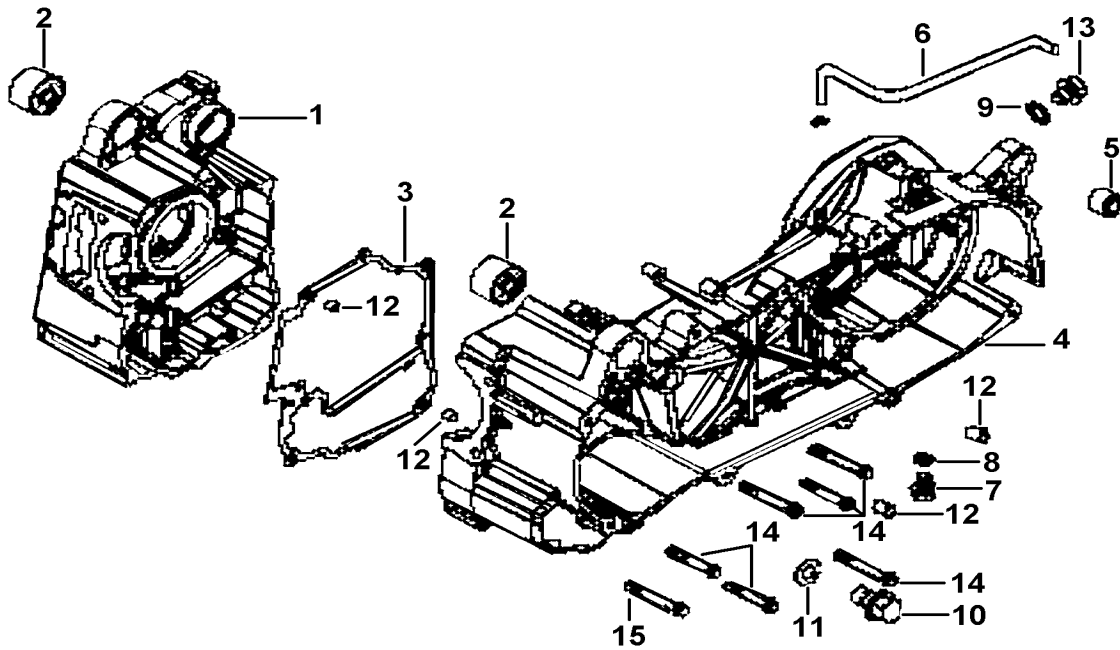


ITEM	PART NO	DESCRIPTION	Q'TY	AMEND	NOTE
01	923817	AIR/C ASSY.	1		
01-1	552262	AIR/C ELEMENT COMP	1		
01-2	552270	AIR/C CONNECTING TUBE	1		
01-3	552264	AIR/C COVER	1		
01-4	552654	TAPPING SCREW 5X20	13		
02	S24607	BOLT, FLANGE M6X32	2		
03	GA555SC05	BOLT, OUTLET M6X1.0X16L	1		

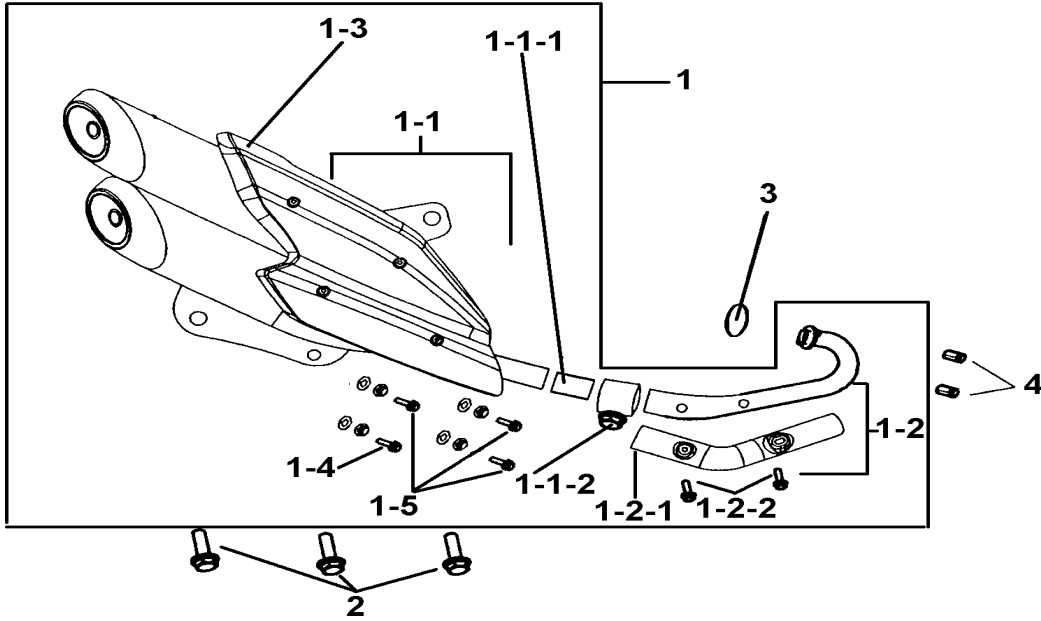


ITEM	PART NO	DESCRIPTION	Q'TY	AMEND	NOTE
01	552189	MISSION COVER	1		
02	552190	MISSION COVER GASKET	1		
03	552191	DRIVE SHAFT	1		
04	552192	COUNTER GEAR COMP.	1		
05	552205	RADIAL BALL BRG. 6301	2		
06	552206	RADIAL BALL BEARING 6004	1		
07	552193	FINAL SHAFT	1		
08	552194	FINAL GEAR	1		
09	552195	RADIAL BALL BRG. 6301TMB	1		
10	552196	RADIAL BALL BRG. 6204TMB	1		
11	552198	OIL SEAL 20X32X6	1		
12	552199	OIL SEAL 27X42X7	1		
13	923097	DOWEL PIN 8x14	2		
14	552201	CIRCLIP EX. 20	1		
15	552202	FLANGE SH BOLT 6X30	5		
16	552204	BALL RADIAL BRG. 6203	1		
17	552203	FLANGE BOLT SH 6X35	2		

11	R. CRANK CASE COMP.	CU8-B
----	---------------------	-------



ITEM	PART NO	DESCRIPTION	Q'TY	AMEND	NOTE
01	552207	R. CRANK CASE COMP.	1		
02	552208	ENG. HANGER RUB. BUSH	2		
03	552209	CRANK CASE GASKET	1		
04	552210	L. CRANK CASE COMP.	1		
05	552528	RR. CUSH. UN. RUBBER BUSH	1		
06	552213	MISSION BREATHER TUBE	1		
07	552531	SPECIAL BOLT 8MM	1		
08	923231	WASHER 8MM	1		
09	552533	PLAIN 10.2mm WASHER	1		
10	552218	DRAIN PLUG BOLT 12MM	1		
11	923111	DRAIN PLUG WASHER 12MM	1		
12	923097	DOWEL PIN 8x14	4		
13	552222	FLANGE BOLT 10X12MM	1		
14	552223	SH. FLANGE BOLT 6X50MM	6		
15	923128	BOLT FLANGE SH 6x55	1		

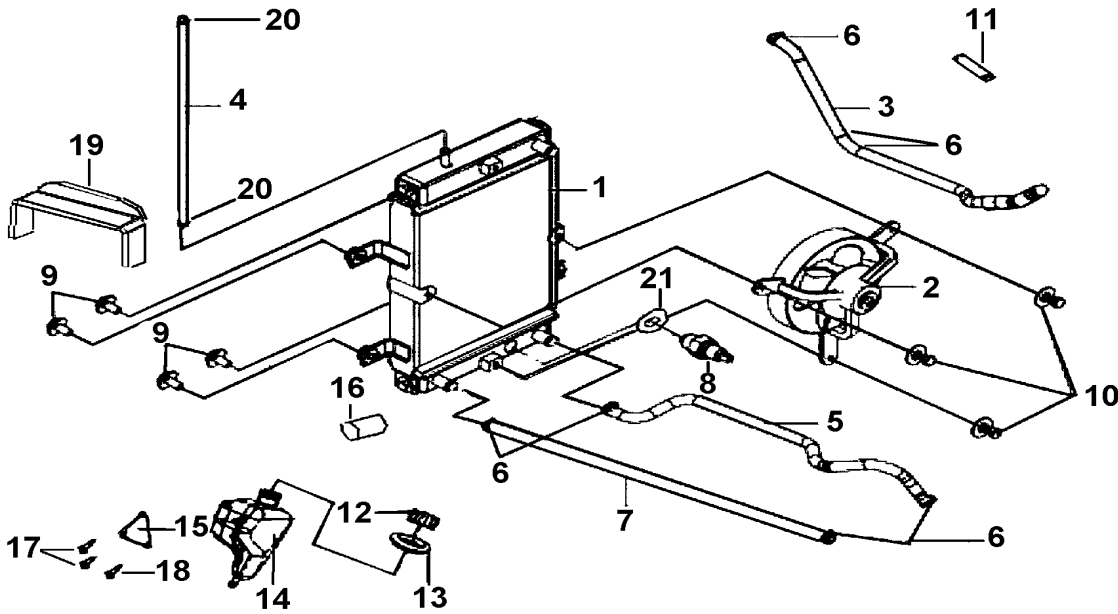


ITEM	PART NO	DESCRIPTION	Q'TY	AMEND	NOTE
01	923818A	EXH. MUFFLER ASSY.	1		
01-1	552283	BODY COMP., MUFFLER	1		
01-1-1	552286	GASKET, PLUMBAGO	1		
01-1-2	552287	CLIP	1		
01-2	552280	PIPE COMP., MUFFLER	1		
01-2-1	552285	PROTECTOR COVER	1		
01-2-2	552257	SH. FLANGE BOLT 6X12	2		
01-3	552254A	MUFFLER PROTECTOR	1		
01-4	S72605A	BOLT COMP.	1		
01-5	S72602A	BOLT COMP.	3		
02	S20806	BOLT, FLANGE M8X38	3		
03	923010	GASKET, EXHAUST PIPE	1		
04	N12702	NUT	2		

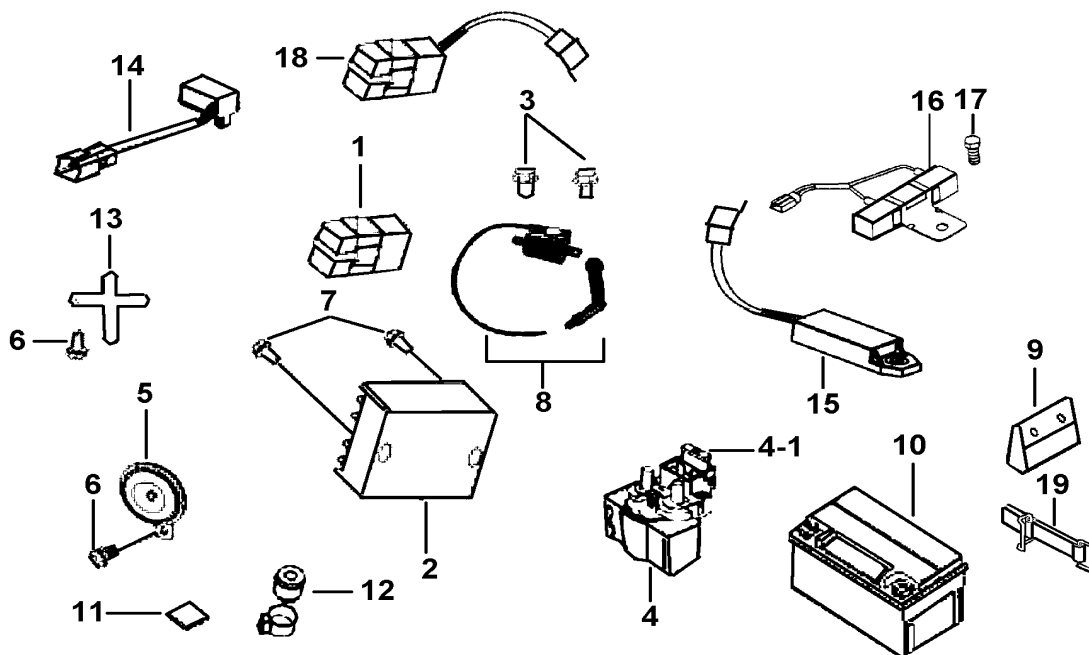
13

RADIATOR ASSY.

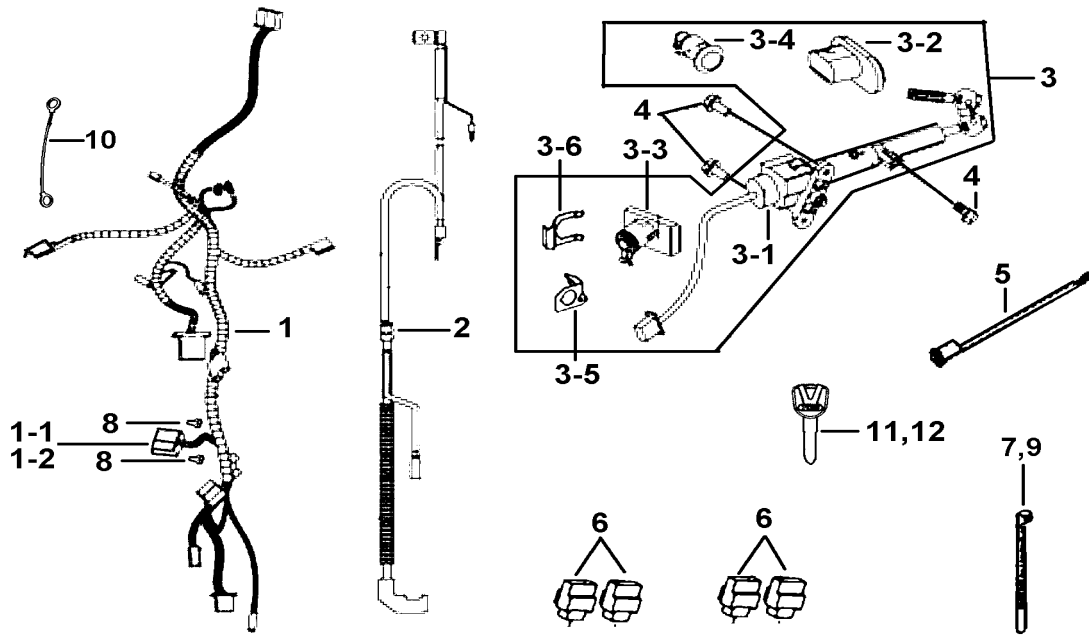
CU8-B



ITEM	PART NO	DESCRIPTION	Q'TY	AMEND	NOTE
01	923800	RADIATOR COMP	1		
02	923757	SHROUD ASSY	1		
03	923805	RADIATOR INLET WATER HOSE	1		
04	923806	RES TANK INLET WATER HOSE	1		
05	923807	ENG. INLET WATER HOSE	1		
06	923810	WATER HOSE CLAMP A	7		
07	923808	RES TANK OUTER WATER HOSE	1		
08	924910	SWITCH, COOLING FAN	1		
09	S20617	BOLT, FLANGE M6X25	4		
10	S07601	BOLT, FLANGE M6X16 (Dark Green)	3		
11	923809	PIPE	1		
12	923802	RESERVE TANK CAP	1		
13	923804	RESERVE TANK TRAY	1		
14	923801	RESERVE TANK	1		
15	923803	RESERVE TANK STAY	1		
16	923819	PIPE	1		
17	S50501	SCREW, OVAL HEAD M5X12L	2		
18	S07601	BOLT, FLANGE M6X16 (Dark Green)	1		
19	552277	HOLDER	1		
20	R60202	CLIP □20	2		
21	W02001	WASHER	1		



ITEM	PART NO	DESCRIPTION	Q'TY	AMEND	NOTE
01	923755	HAZARD UNIT	1		
02	552803	REG. REC ASSY.	1		
03	GA510SC10	SCREW, HEX. HEAD M5X20	1		
04	923763	START MAG. SET	1		
04-1	552813	FUSE, 30A	1		
05	440809	HORN COMP	1		
06	GA556SC01	BOLT, FLANGE M6X1.0X12L	2		
07	GA555SC05	BOLT, OUTLET M6X1.0X16L	2		
08	552278	COIL ASSY., IGNITION	1		
09	924446	TOOL BAG	1		
10	923400	BATTERY 12V 12AH	1		
11	GF514TH02	CUSHION	1		
12	923756	RELAY, TURN SIGNAL	1		
13	923758	BREAKER	1		
14	924447	THERMOSWITCH COMP.	1		
15	552815	CONTROLLER, HEATER	1		
16	923778	RESISTOR SET	1		
17	GA510SC03	SCREW, HEX. HEAD M6X16	2		
18	923772	CDI UNIT COMP	1		
19	GF5140001	BAND	1		

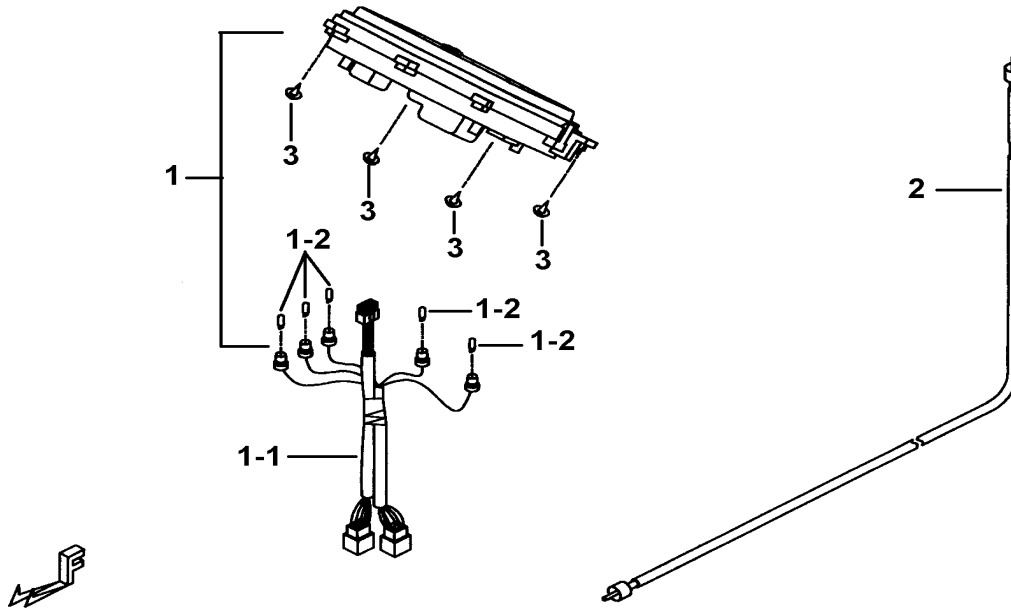


ITEM	PART NO	DESCRIPTION	Q'TY	AMEND	NOTE
01	552858	WIRE HARNESS	1		
01-1	924425	FUSE, 10A	2		
01-2	924426	FUSE, 15A	3		
02	923776	HARNESS STARTING, EARTH	1		
03	923751	KEY SET	1		
03-1	923753-S	COMB. LOCK SW. ASSY	1		
03-2	552804	SHUTTER COMP	1		
03-3	923752-S	INNER BOX LOCK ASSY.	1		
03-4	923754-S	SEAT LOCK KEY COMP.	1		
03-5	923761	HOLDER	1		
03-6	923775	REED	1		
04	S71603	BOLT, BREAKABLE, HEX. HEAD M6X16	3		
05	923438	POWER SOURCE	1		
06	923759	RELAY, CONTROL	4		
07	GA510SR01	CLAMP L150	3		
08	GA552SC11	SCREW, TAPPING M4X16	2		
09	400535	CLAMP L300	1		
10	552290	HARNESS, EARTH	1		
11	552823	BLANK KEY	1		
12	552824	BLANK KEY	1		

16

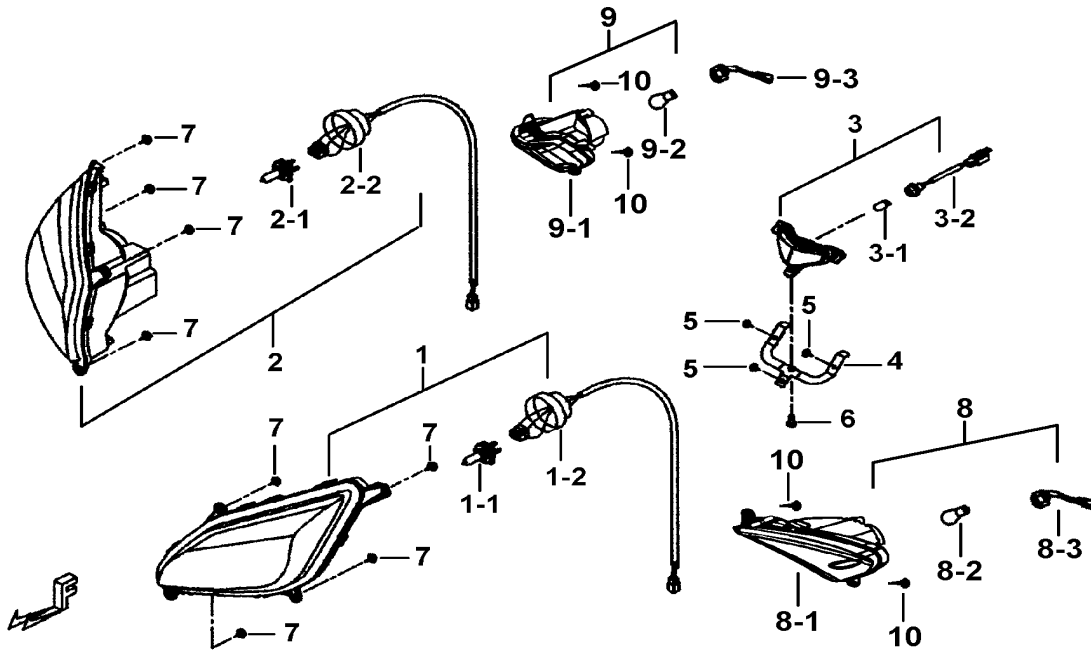
SPEEDOMETER

CU8-B

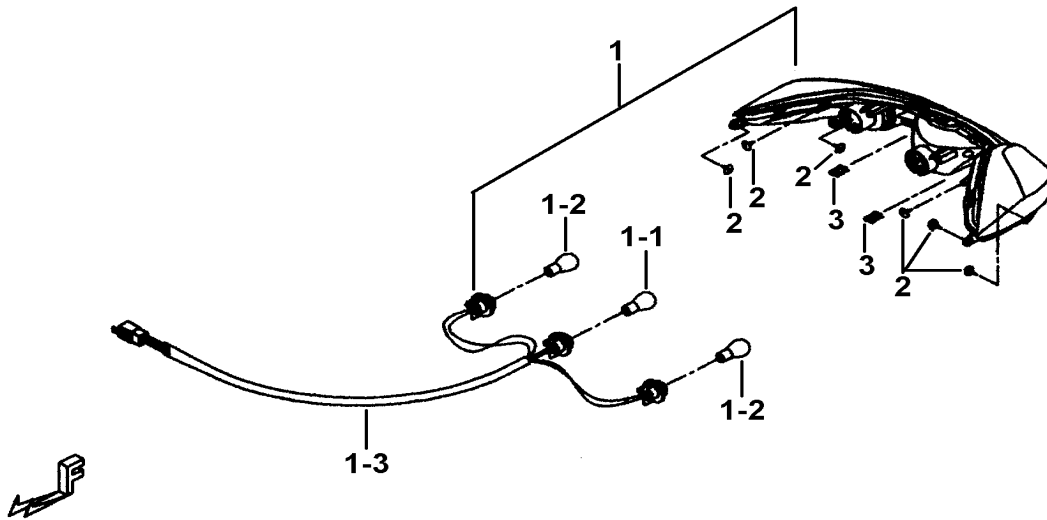


ITEM	PART NO	DESCRIPTION	Q'TY	AMEND	NOTE
01	457168A	SPEEDOMETER ASSY.	1		
01-1	457148	SOCKET COMP.	1		
01-2	515122	BULB (12V, 2W)	5		
02	411631	CABLE ASSY., SPEEDOMETER	1		
03	S57501	SCREW, OVAL HEAD, FLANGE M5X14	4		

17	HEAD LAMP	CU8-B
----	-----------	-------

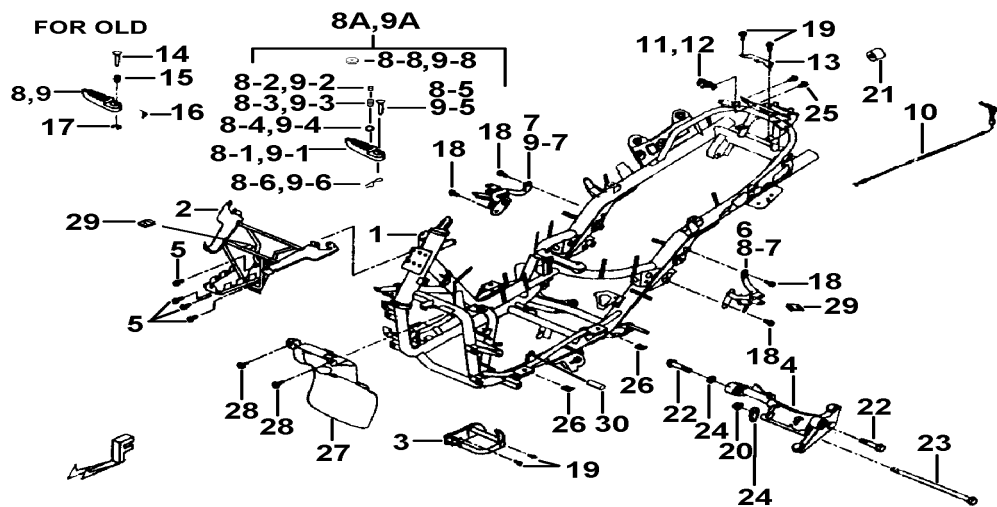


ITEM	PART NO	DESCRIPTION	Q'TY	AMEND	NOTE
01	450071	HEAD LAMP ASSY., LH.	1		
01-1	514074	BULB (35/35W)	1		
01-2	450078	WIRING ASSY, HEAD LAMP	1		
02	450073	HEAD LAMP ASSY., RH.	1		
02-1	514074	BULB (35/35W)	1		
02-2	450078	WIRING ASSY, HEAD LAMP	1		
03	450072	POSITION LAMP.	1		
03-1	514026	BULB 5W	1		
03-2	450077	SOCKET COMP.	1		
04	450076	BRKT	1		
05	S50402	SCREW,TAPPING M4X10	3		
06	S41501	BOLT M5X12	1		
07	S50501	SCREW, OVAL HEAD M5X12L	8		
08	450079	TURN SIGNAL LAMP COMP., LH.	1		
08-1	450090	LENS, TURN SIGNAL COMP., LH.	1		
08-2	414027	BULB 12V 21W	1		
08-3	450094	SOCKET COMP., LH.	1		
09	450080	TURN SIGNAL LAMP COMP., RH.	1		
09-1	450091	LENS, TURN SIGNAL COMP., RH.	1		
09-2	414027	BULB 12V 21W	1		
09-3	450095	SOCKET COMP., RH.	1		
10	S50401	SCREW TAPPING M4X12	4		

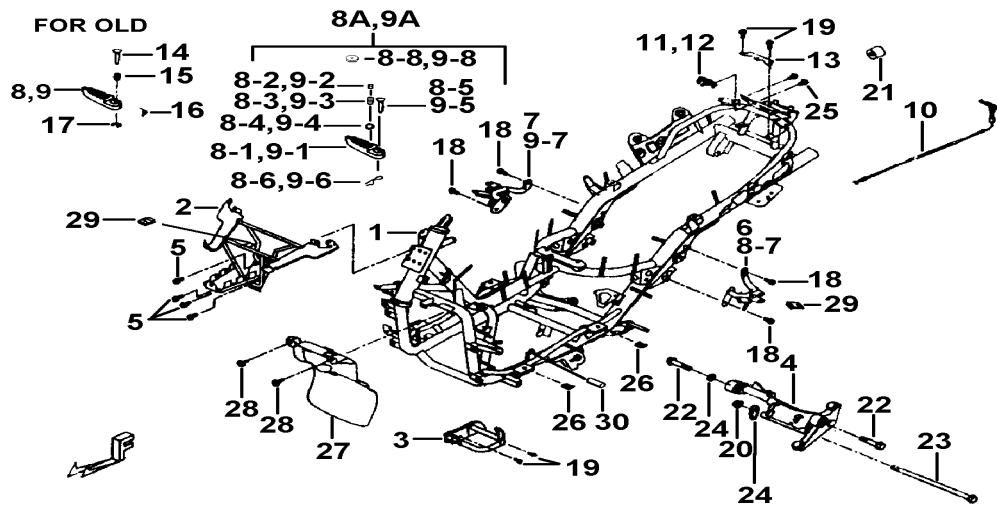


ITEM	PART NO	DESCRIPTION	Q'TY	AMEND	NOTE
01	451052	REAR LAMP ASSY.	1		
01-1	451055	BULB, 12V, 21/5W	1		
01-2	451056	BULB 12V 21W	2		
01-3	451057	SOCKET COMP.	1		
02	S50501	SCREW, OVAL HEAD M5X12L	6		
03	GA552NT01	NUT, SPRING M4	2		

19	FRAME	CU8-B
----	-------	-------

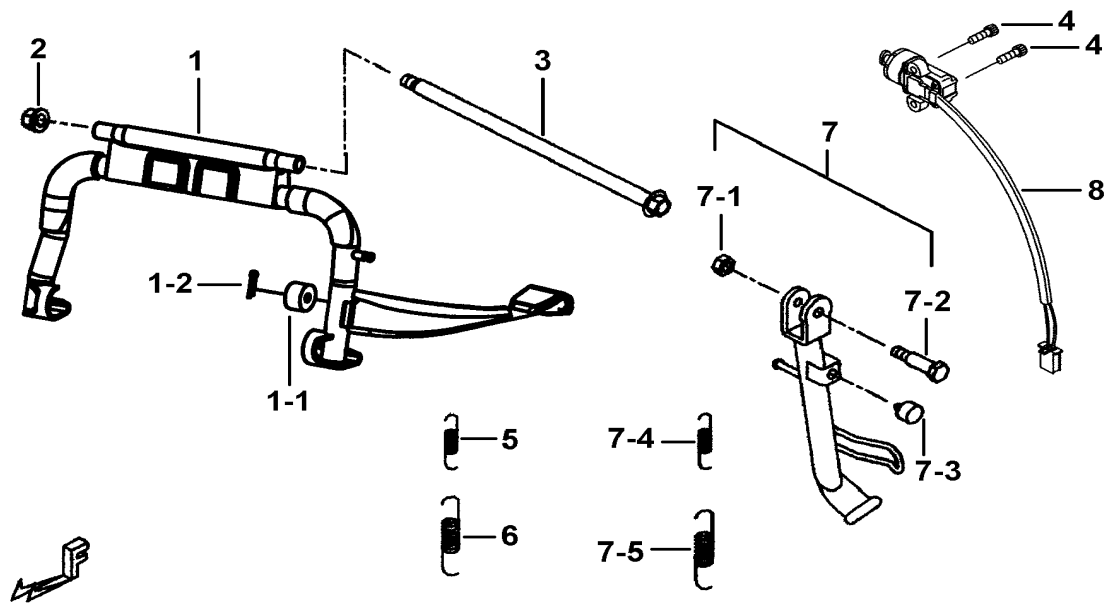


ITEM	PART NO	DESCRIPTION	Q'TY	AMEND	NOTE
01	413899	FRAME	1		
02	414910	BRKT	1		
03	414907	BRKT	1		
04	414915	ROCKER ARM ASSY., HANGER	1		
05	S20817	BOLT, FLANGE M8X16	4		
06	414905	BRKT, FOOTREST, PILLON, LH.	1	←006661	
07	414906	BRKT, FOOTREST, PILLON, RH.	1	←006661	
08	414901	FOOTREST COMP., PILLON, LH.	1	←006661	
08-1	414944	FOOTREST COMP., PILLON, LH.	1	006662→	
08-2	S96812	SCREW, SOCKET HEAD M8X6	1	006662→	
08-3	414959	SPRING, COMPRESSION 6X11	1	006662→	
08-4	GF519FE04	BALL □6.35	1	006662→	
08-5	P51801	PIN	1	006662→	
08-6	GA551PN01	COTTER PIN 1.5X30	1	006662→	
08-7	414942	BRKT, FOOTREST, PILLON, LH.	1	006662→	
08-8	455077	RUBBER PLUG	1	006662→	
08A	414944A	FOOTREST ASSY., PILLON, LH.	1	006662→	
09	414902	FOOTREST COMP., PILLON, RH.	1	←006661	
09-1	414945	FOOTREST COMP., PILLON, RH.	1	006662→	
09-2	S96812	SCREW, SOCKET HEAD M8X6	1	006662→	
09-3	414959	SPRING, COMPRESSION 6X11	1	006662→	
09-4	GF519FE04	BALL □6.35	1	006662→	
09-5	P51801	PIN	1	006662→	
09-6	GA551PN01	COTTER PIN 1.5X30	1	006662→	
09-7	414943	BRKT, FOOTREST, PILLON, RH.	1	006662→	
09-8	455077	RUBBER PLUG	1	006662→	
09A	414945A	FOOTREST ASSY., PILLON, RH.	1	006662→	
10	414903	CABLE, LOCK SET, SEAT	1		
11	411993	LATCH, LH.	1		
12	411994	LATCH, RH.	1		



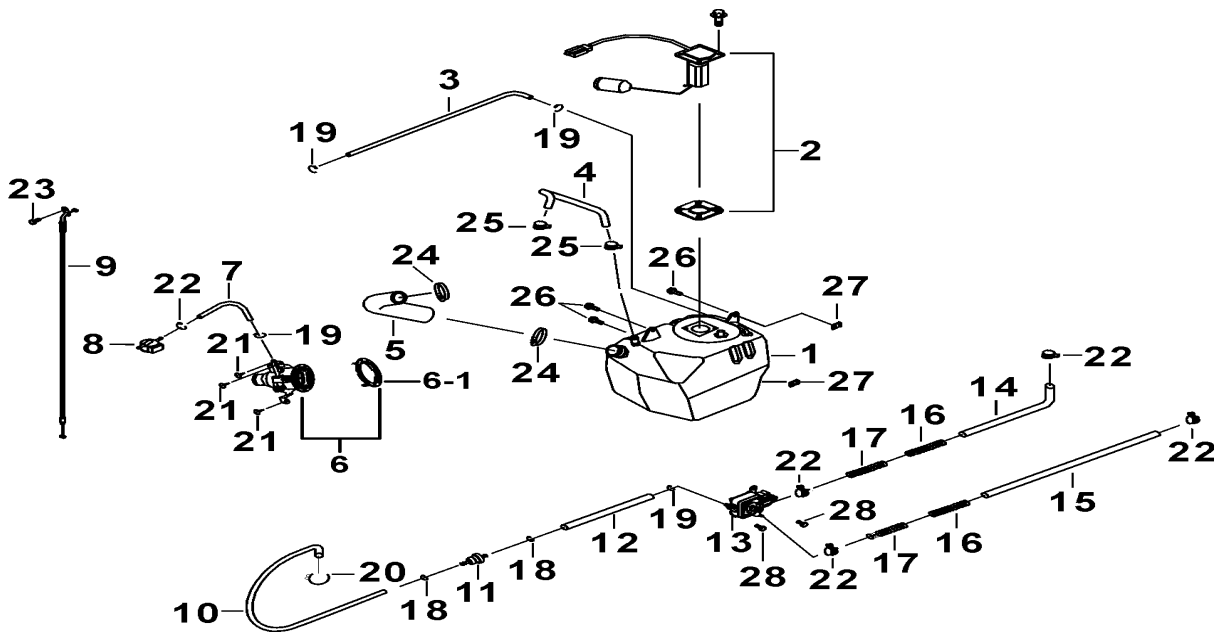
ITEM	PART NO	DESCRIPTION	Q'TY	AMEND	NOTE
13	414904	BRKT	1		
14	P50801	PIN	2	←006661	
15	414908	SPRING	2	←006661	
16	414909	SPRING	2	←006661	
17	R10701	RETAINER RING	2	←006661	
18	S21809	BOLT M8X1.25X18L	4		
19	GA555SC05	BOLT, OUTLET M6X1.0X16L	4		
20	N25201	NUT, SELFLOCK M12X1.25	1		
21	414913	RUBBER CAP	1		
22	S20211	BOLT M12X55L	2		
23	S20212	BOLT M12X237L	1		
24	W99220	WASHER	2		
25	GA555SC02	SCREW, AN HEAD	4		
26	N32601	NUT, SPRING	4		
27	414900	PLATE, PROTECT	1		
28	S25602	BOLT M6X16L	2		
29	N32601	NUT, SPRING	3		
30	414920	BUSH, RUBBER	1		

20	STAND	CU8-B
----	-------	-------

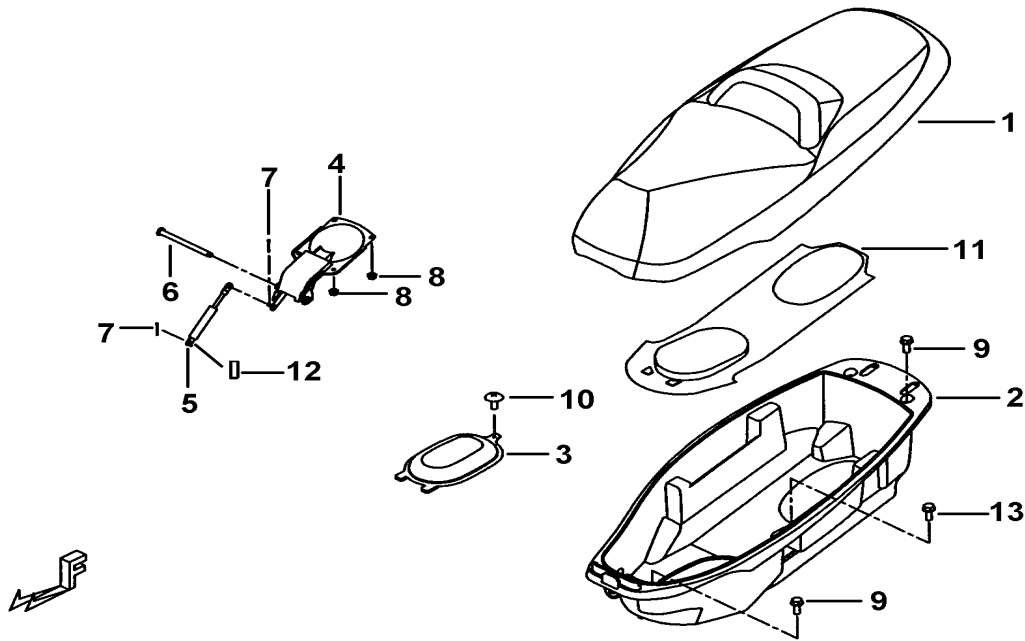


ITEM	PART NO	DESCRIPTION	Q'TY	AMEND	NOTE
01	412087A	STAND COMP., MAIN	1		
01-1	412086	CUSHION	1		
01-2	GA551PN04	PIN, COTTER	1		
02	GA551NT01	NUT, SELFLOCK M10X1.25	1		
03	S99005	SHAFT, MAIN STAND	1		
04	S79501	SCREW, SOCKET HEAD M5x16			
05	412062	SPRING	1		
06	412061	SPRING	1		
07	414019	STAND COMP., SIDE	1		
07-1	GA551NT04	NUT, HEX. HEAD M8	1		
07-2	S99807	BOLT M8X40L	1		
07-3	412065	CUSHION	1		
07-4	412060	SPRING	1		
07-5	412059	SPRING	1		
08	440935	SWITCH, SIDE STAND	1		

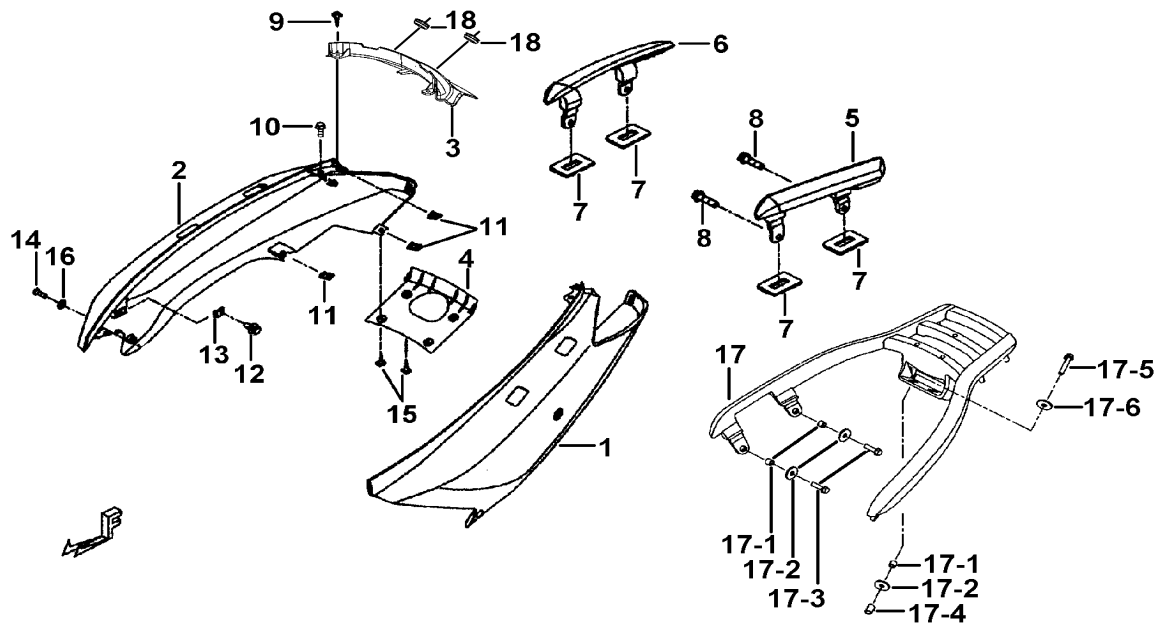
21	FUEL TANK	CU8-B
----	------------------	--------------



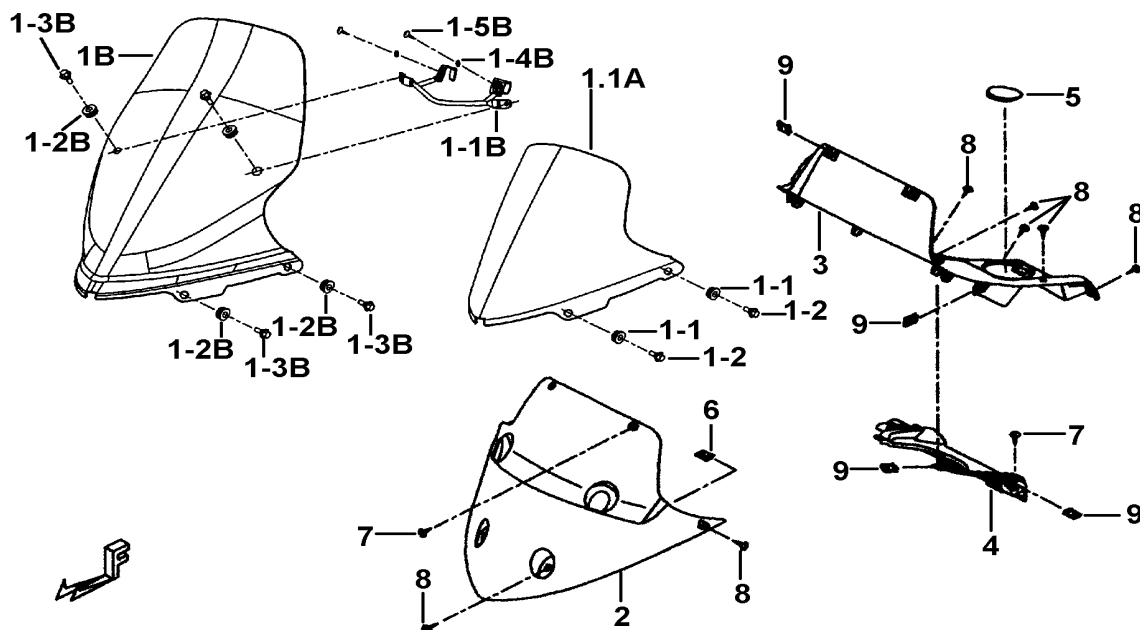
ITEM	PART NO	DESCRIPTION	Q'TY	AMEND	NOTE
01	412145A	TANK, FUEL	1		
02	412156	GAUGE ASSY., FUEL LEVEL	1		
03	412153	HOSE	1		
04	412154	HOSE	1		
05	412152	HOSE	1		
06	412146VS	CAP COMP., FUEL TANK	1		
06-1	414056	OUT RING	1		
07	412190	HOSE	1		
08	412138	FUEL CUT VALVE	1		
09	412158	CABLE, FUEL TANK CAP	1		
10	412151	HOSE	1		
11	412182	FILTER, FUEL	1		
12	GA553PP04	HOSE 5X8X90	1		
13	412148	GASOLINE PUMP	1		
14	412150	HOSE	1		
15	412149	HOSE	1		
16	412135	SPRING 250L	2		
17	412134	SPRING 160L	2		
18	R36901	CLIP	2		
19	R36801	CLIP □8.5	4		
20	R50201	CLIP	1		
21	S50501	SCREW, OVAL HEAD M5X12L	3		
22	R40801	CLIP	5		
23	S41501	BOLT M5X12	1		
24	R65301	CLIP	2		
25	R40601	CLIP	2		
26	GA555SC05	BOLT, OUTLET M6X1.0X16L	3		
27	N32601	NUT, SPRING	2		
28	N10601	NUT, FLANGE 6mm	2		



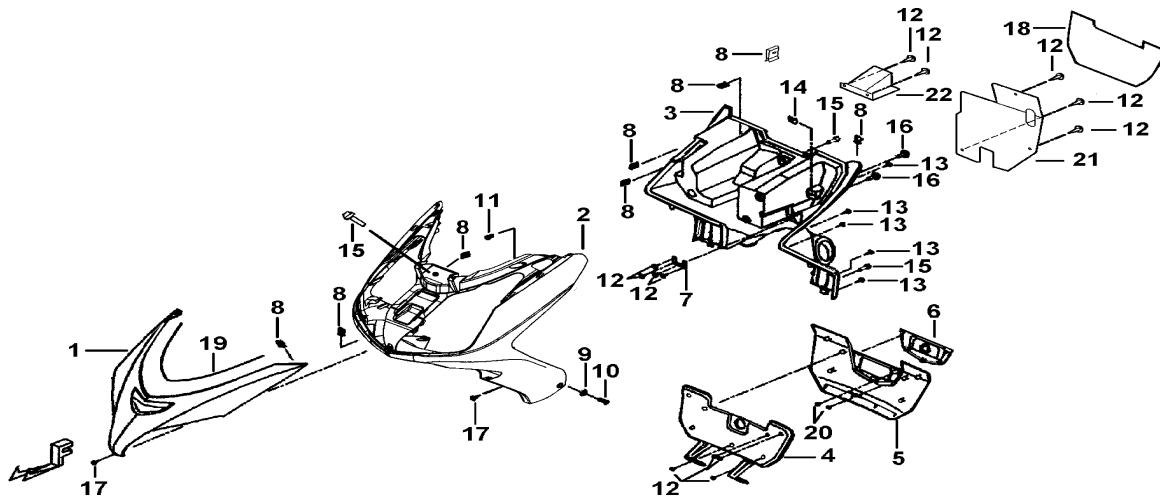
ITEM	PART NO	DESCRIPTION	Q'TY	AMEND	NOTE
01	452070	SEAT SET	1		
02	452066A	HELMET CASE	1		
03	452047	CAP, HELMET CASE	1		
04	452068	BRKT, SEAT	1		
05	452069	DAMPER	1		
06	P31001	PIN	1		
07	GA551PN01	COTTER PIN 1.5X30	2		
08	GA554NT04	NUT, FLANGE M6x1.0	4		
09	S07601	BOLT, FLANGE M6X16 (Dark Green)	4		
10	GA555SC02	SCREW, PAN HEAD	1		
11	452048	LUGGAGE BOX LINING	1		
12	401921	SPACER	1		
13	S25602	BOLT M6X16L	2		



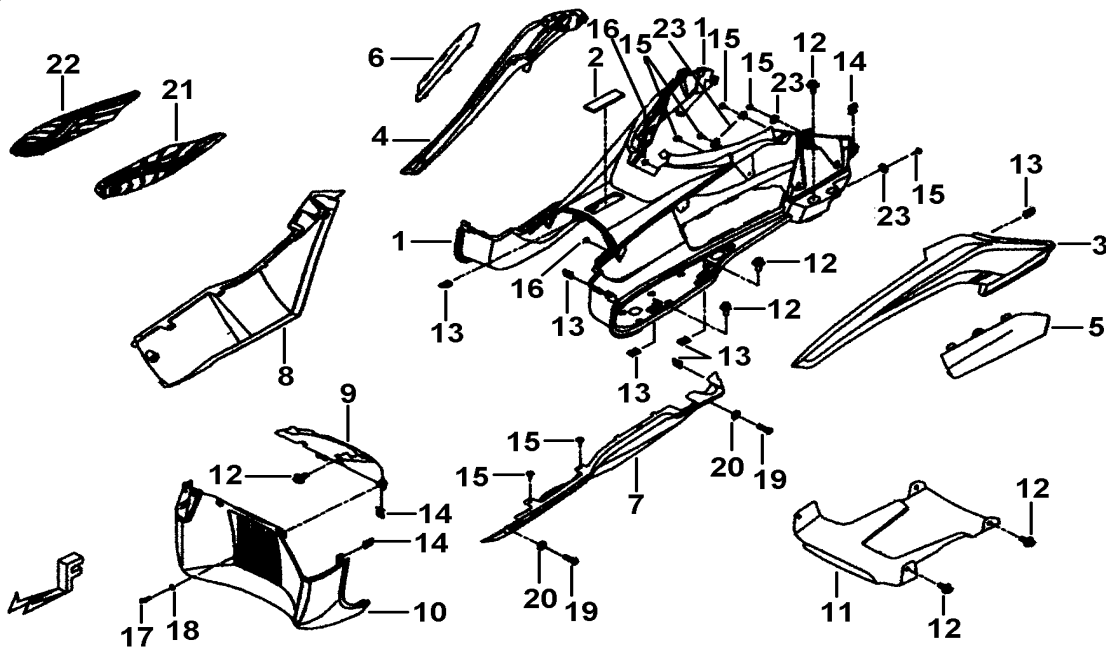
ITEM	PART NO	DESCRIPTION	Q'TY	AMEND	NOTE
01	453070	COVER SIDE, LH.	1		
02	453071	COVER SIDE, RH.	1		
03	453077	COVER TAIL, UPPER	1		
03A	453078	COVER TAIL, UPPER(BROACH)	1		OPTION
04	453075	COVER TAIL, UNDER	1		
05	412411	HANDLE, LH.	1		
06	412412	HANDLE, RH.	1		
07	412413	DAMPER, RUBBER	4		
08	S20802	BOLT, FLANGE M8X30L	4		
09	GA552SC11	SCREW, TAPPING M4X16	2		
10	GA555SC05	BOLT, OUTLET M6X1.0X16L	2		
11	GA552NT01	NUT, SPRING M4	6		
12	S07601	BOLT, FLANGE M6X16 (Dark Green)	2		
13	N32601	NUT, SPRING	2		
14	S72503	BOLT M5X16	2		
15	S50406	SCREW, TAPPING M4X16	4		
16	W99525	WASHER	2		
17	412414A	CARRIER ASSY.	1		OPTION
17-1	412415	SPACER 8.5X12X10	6		
17-2	W99824	WASHER 8.5	6		
17-3	S20802	BOLT, FLANGE M8X30L	4		
17-4	412416	SPACER 8.5X12X17	2		
17-5	S20819	BOLT M8X45L	2		
17-6	W99017	WASHER	2		
18	453076	RUBBER PLUG	2		OPTION



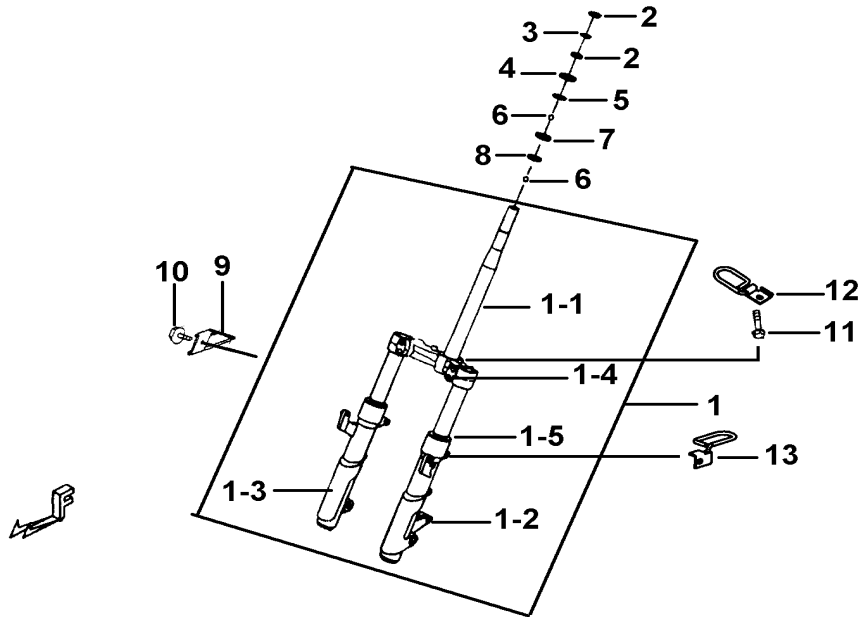
ITEM	PART NO	DESCRIPTION	Q'TY	AMEND	NOTE
01.1A	454051A	WIND SHIELD SET 540mm	1		
01-1	451051	DAMPER, RUBBER	4		
01-1B	454065	FIXED ROD	1		
01-2	S25603	BOLT	4		
01-2B	451051	DAMPER, RUBBER	6		
01-3B	S25603	BOLT	6		
01-4B	W99012	WASHER	2		
01-5B	S51405	SCREW TAPPING	2		
01B	454060A	WIND SHIELD SET 625mm	1		OPTION
02	457143A	FRONT, SPEEDOMETER COVER	1		
03	457157	SPEEDOMETER COVER	1		
04	457144	SPEEDOMETER COVER(SMALL)	1		
05	454069	WATER TANK COVER	1		
06	N32401	NUT, SPRING	2		
07	S50401	SCREW TAPPING M4X12	4		
08	GA552SC11	SCREW, TAPPING M4X16	14		
09	GA552NT01	NUT, SPRING M4	8		



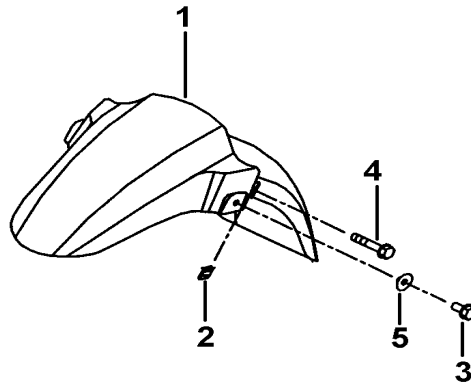
ITEM	PART NO	DESCRIPTION	Q'TY	AMEND	NOTE
01	454052	COVER, LEG SHIELD, FRONT	1		
02	454071	LEG SHIELD, FRONT	1		
03	454058	COVER SET, LEG SHIELD	1		
04	454057	FRONT, LUGGAGE BOX LINING	1		
05	454056	FRONT, LUGGAGE BOX COVER	1		
06	454054	FRONT, LUGGAGE BOX GARNISH	1		
07	454059	FIXED PLATE	2		
08	GA552NT01	NUT, SPRING M4	12		
09	W99525	WASHER	2		
10	S72503	BOLT M5X16	2		
11	GA510SC03	SCREW, HEX. HEAD M6X16	2		
12	S50401	SCREW TAPPING M4X12	20		
13	GA552SC11	SCREW, TAPPING M4X16	9		
14	N32601	NUT, SPRING	1		
15	GA555SC05	BOLT, OUTLET M6X1.0X16L	4		
16	S25602	BOLT M6X16L	2		
17	S50406	SCREW, TAPPING M4X16	3		
18	454062	ORNAMENTAL, COVER	1		
19	454064	ORNAMENTAL	1		
20	S50402	SCREW, TAPPING M4X10	4		
21	454067	PLATE PROTECT BATTERY	1		
22	454066	COVER	1		



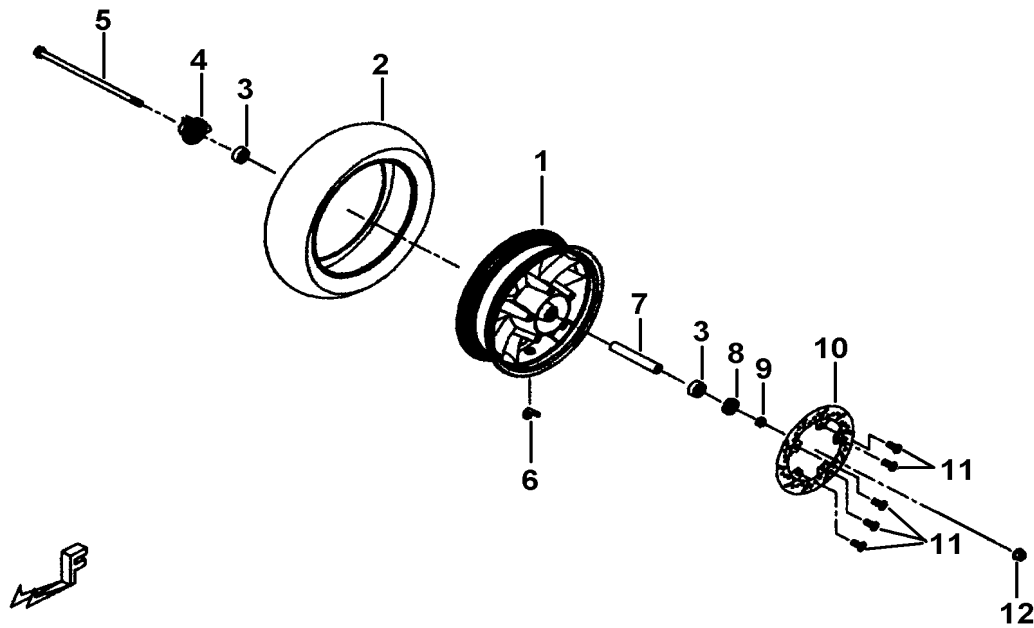
ITEM	PART NO	DESCRIPTION	Q'TY	AMEND	NOTE
01	455055	LEG SHIELD, REAR	1		
02	BH125PL04	COVER SET, LEG SHIELD, SMALL	1		
03	455058	COVER RIB, LH.	1		
04	455059	COVER RIB, RH.	1		
05	455056	COVER MAINTAIN, LH.	1		
06	455057	COVER MAINTAIN, RH.	1		
07	455052	LEG SHIELD, SIDE LH.	1		
08	455053	LEG SHIELD, SIDE RH.	1		
09	456022	FRONT FENDER, INNER	1		
10	455051	LEG SHIELD, LOWER	1		
11	455054	FENDER REAR, TANK FUEL	1		
12	S25602	BOLT M6X16L	12		
13	GA552NT01	NUT, SPRING M4	9		
14	N32501	NUT, SPRING M5	6		
15	GA552SC11	SCREW, TAPPING M4X16	12		
16	S50402	SCREW, TAPPING M4X10	4		
17	S72503	BOLT M5X16	2		
18	W99525	WASHER	2		
19	S72604	BOLT M6X16L	4		
20	GA555WS02	WASHER	4		
21	455060	CUSHION, LEG SHIELD, LH.	1		
22	455061	CUSHION, LEG SHIELD, RH.	1		
23	GA552WS02	WASHER	6		



ITEM	PART NO	DESCRIPTION	Q'TY	AMEND	NOTE
01	412733	FORK COMP., FRONT	1		
01-1	414036	CENTRAL BAR ASSY.	1		
01-2	414037	FORK COMP., FRONT LH.	1		
01-3	414038	FORK COMP., FRONT RH.	1		
01-4	S20009	BOLT, HEX. HEAD M10X1.25X48L	4		
01-5	414049	OIL SEAL	2		
02	GA556NT01	NUT, SLOTTED	2		
03	W33201	WASHER	1		
04	412723	COVER, ANTI-DUST	1		
05	412725	RACE, STEERING, INNER, UPPER	1		
06	BH127FE01	BALL	54		
07	412726	RACE, STEERING INNER	1		
08	412724	RACE, STEERING INNER	1		
09	GI527PS02	BRKT, CABLE, SPEEDOMETER	1		
10	GA556SC01	BOLT, FLANGE M6X1.0X12L	1		
11	GA555SC05	BOLT, OUTLET M6X1.0X16L	1		
12	412734	BRACKET	1		
13	412716	BRKT, BRAKE HOSE	1		



ITEM	PART NO	DESCRIPTION	Q'TY	AMEND	NOTE
01	456021	FRONT FENDER	1		
02	N32601	NUT, SPRING	2		
03	S72605	BOLT, HEX HEAD M6X16 (Silver White)	2		
04	S20604	SCREW, PAN HEAD M6X32	2		
05	GA555WS02	WASHER	2		

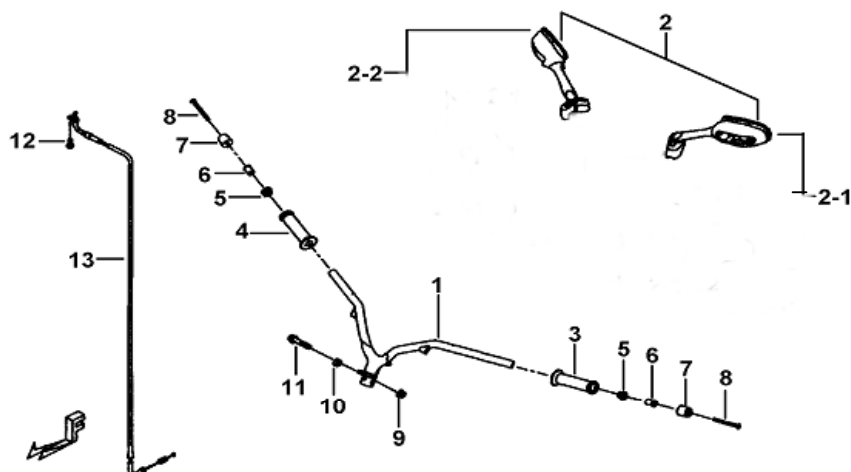


ITEM	PART NO	DESCRIPTION	Q'TY	AMEND	NOTE
01	412957IGY	RIM COMP., FRONT WHEEL 3.5X14" (GREY)	1		
02	412947	TIRE 120/70-14	1		
03	GI529BR01YT	BEARING 12X32X10	2		
04	401692	GEAR COMP., SPEEDOMETER	1		
05	S20210	BOLT M12X275L	1		
06	GF5299901	INLET COMP., AIR	1		
07	412958	COLLAR	1		
08	GI529OS01	OIL SEAL 18X35X7	1		
09	GI529BS01	COLLAR	1		
10	412956Y	DISC, BRAKE 260mm	1		
10A	412952Y	DISC, BRAKE 260mm(WAVE)	1		OPTION
11	GA558SC02	BOLT M8X1.25X15L	5		
12	N25201	NUT, SELFLOCK M12X1.25	1		

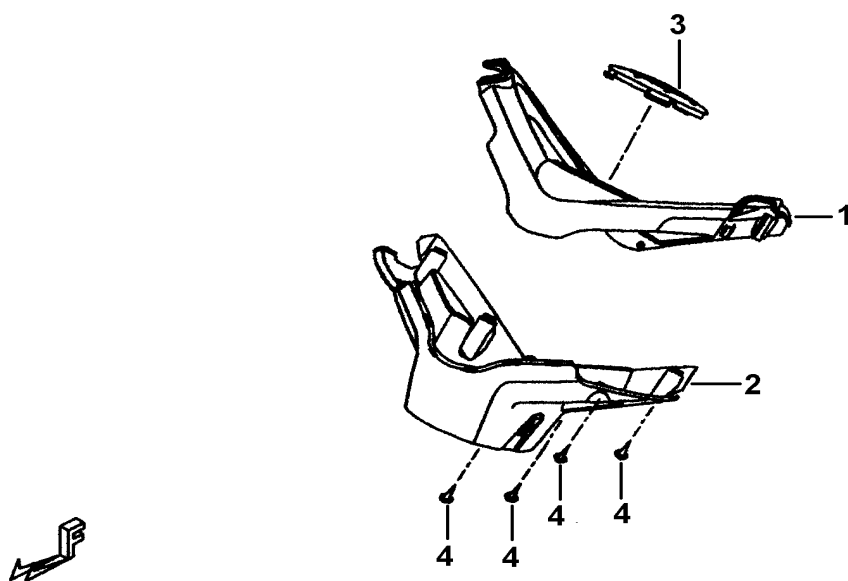
30

HANDLE BAR

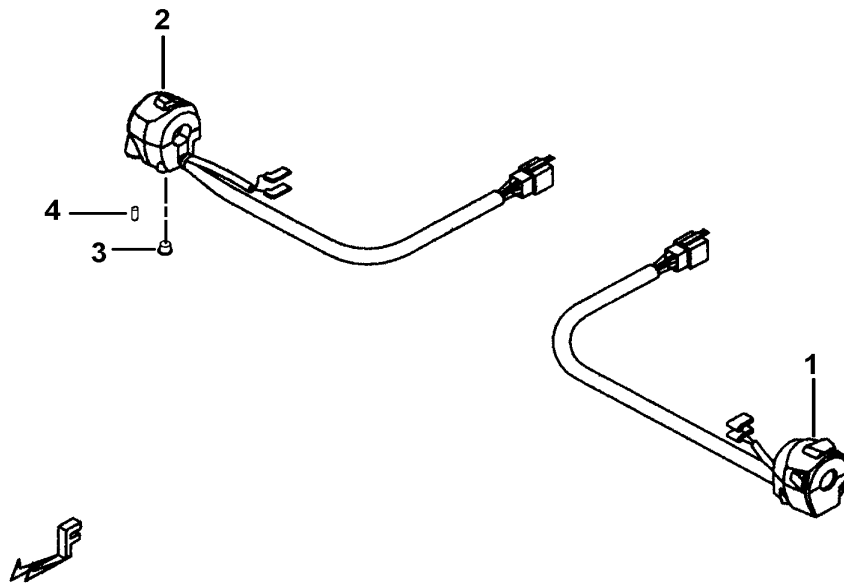
CU8-B



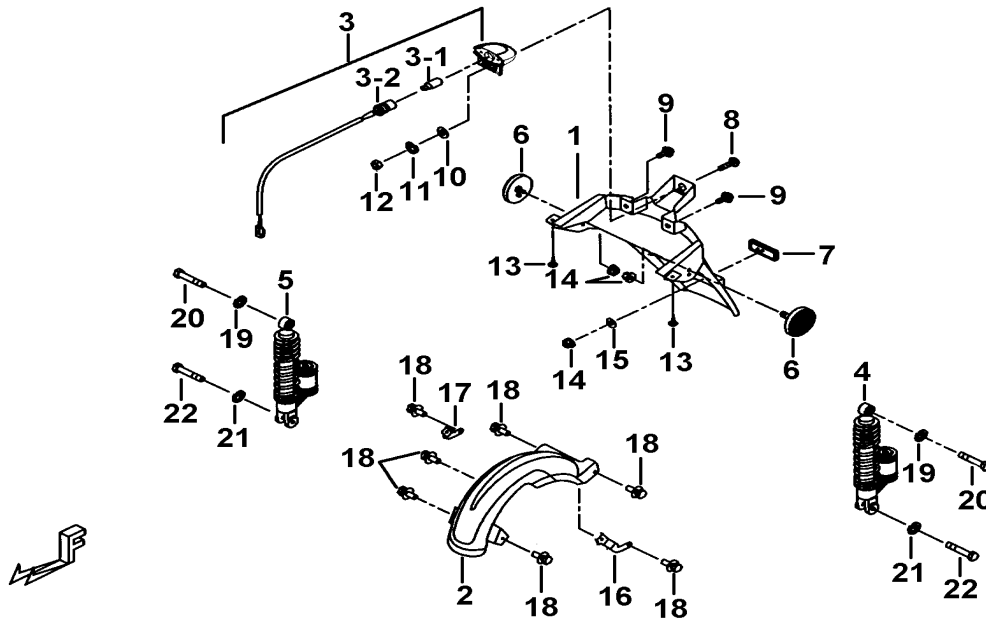
ITEM	PART NO	DESCRIPTION	Q'TY	AMEND	NOTE
01	413078	HANDLE BAR ASSY.	1		
02	417014	MIRROR ASSY., REAR VIEW	1		
02-1	415310	MIRROR, REAR VIEW, LH.	1		
02-2	415311	MIRROR, REAR VIEW, RH.	1		
03	413075	GRIP, LH.	1		
04	413076	GRIP, RH.	1		
05	GA554NT04	NUT, FLANGE M6x1.0	2		
06	413086	SPACER	2		
07	413085	COLLAR	2		
08	S35608	BOLT, M6X22L	2		
09	GA551NT01	NUT, SELFLOCK M10X1.25	1		
10	413087	COLLAR HANDLE SET	1		
11	S20009	BOLT, HEX. HEAD M10X1.25X48L	1		
12	S41501	BOLT M5X12	1		
13	413088	CABLE, THROTTLE	1		



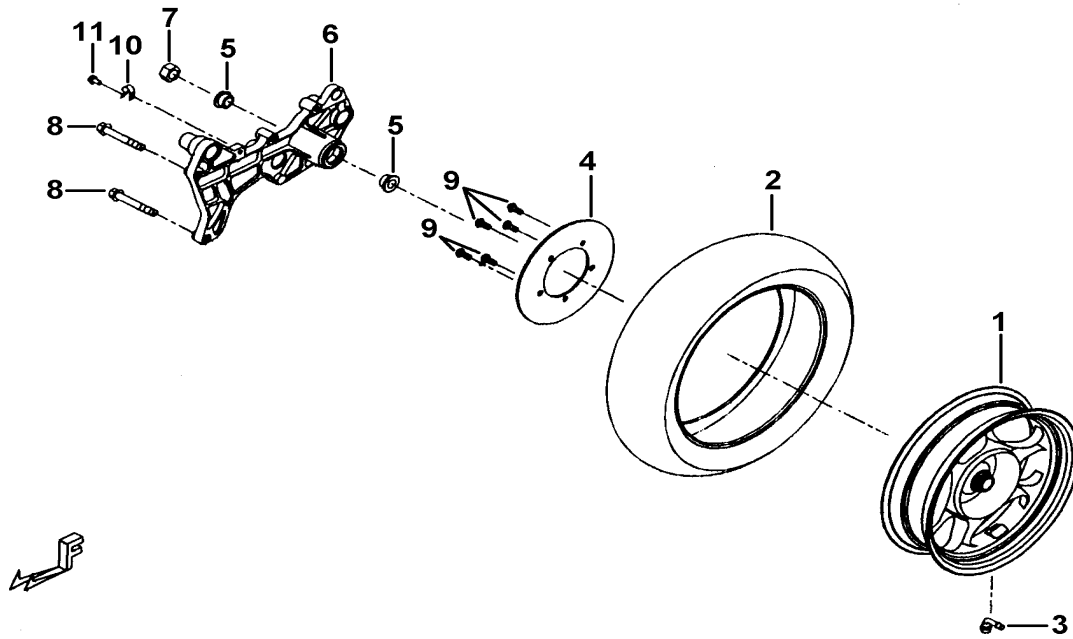
ITEM	PART NO	DESCRIPTION	Q'TY	AMEND	NOTE
01	457141	COVER, HANDLE BAR, UPPER	1		
02	457142	COVER, HANDLE BAR, UNDER	1		
03	457145	ORNAMENTAL, HANDLE BAR	1		
04	GA552SC11	SCREW, TAPPING M4X16	5		



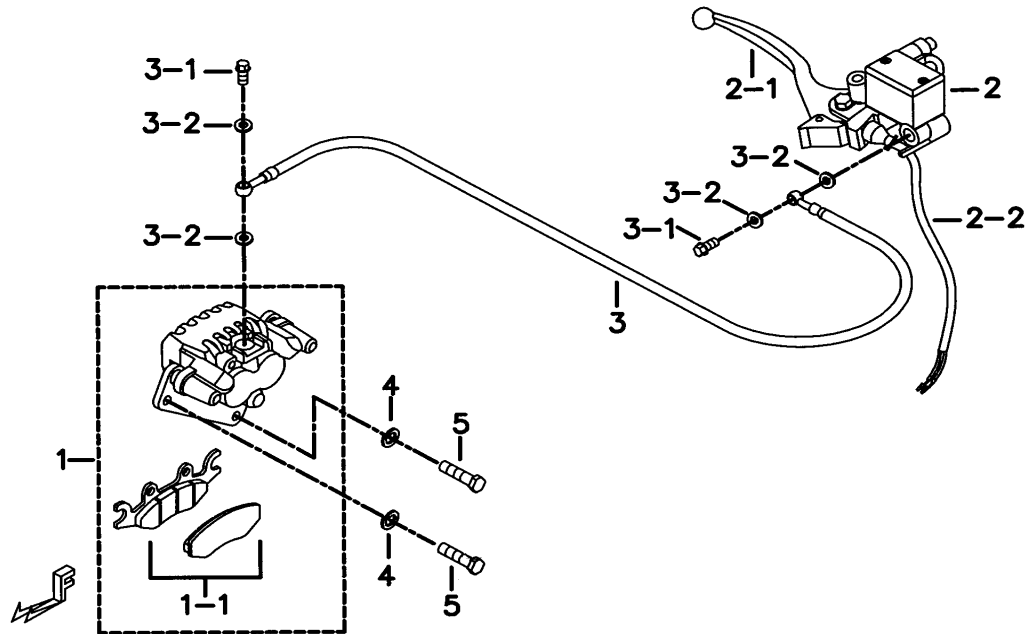
ITEM	PART NO	DESCRIPTION	Q'TY	AMEND	NOTE
01	413230	SWITCH ASSY., LH.	1		
02	413232	SWITCH ASSY., RH.	1		
03	413233	RUBBER ACP	1		
04	P00401	PIN, SPRING	1		



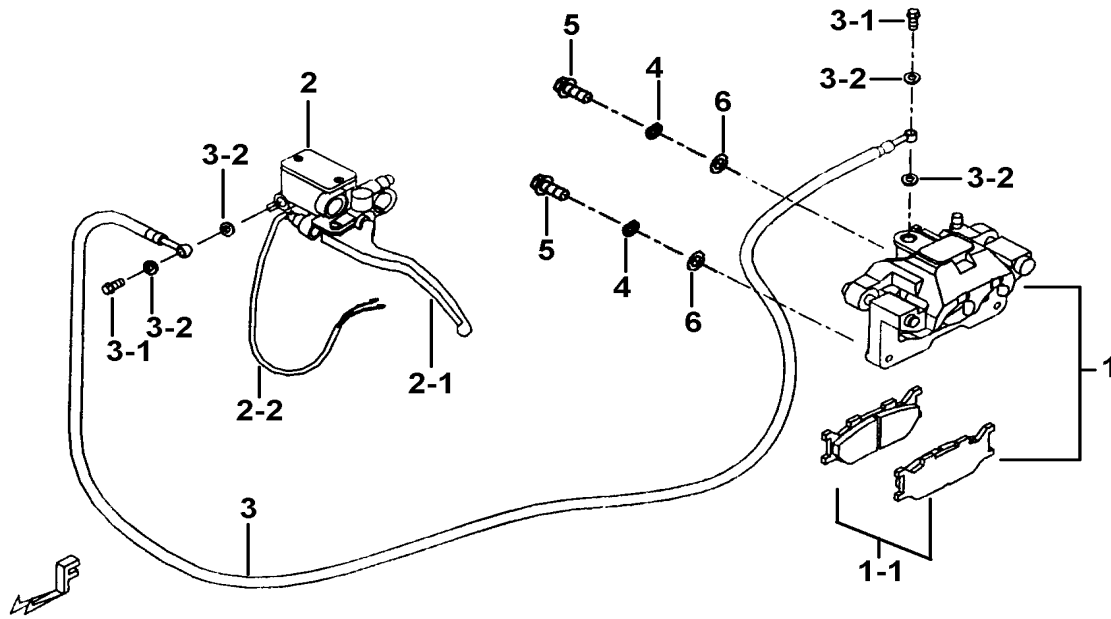
ITEM	PART NO	DESCRIPTION	Q'TY	AMEND	NOTE
01	458031	FENDER, REAR, UPPER	1		
02	458032	GUARD, MUD	1		
03	511811	NUMBER-PLATE LAMP	1		
03-1	451038	BULB 12V 5W	1		
03-2	514037	WIRING SET, NUMBER-PLATE LAMP	1		
04	413323A	SHOCK ABSORBER ASSY., LH, REAR	1		
05	413324A	SHOCK ABSORBER ASSY., RH, REAR	1		
06	454037	REFLECTOR ASSY., SIDE(FRONT)	2		
07	511802	REFLECTOR ASSY., REAR	1		
08	GA510SC10	SCREW, HEX. HEAD M5X20	1		
09	S25602	BOLT M6X16L	2		
10	GA552WS05	WASHER	1		
11	W10501	SPRING WASHER	1		
12	GA552NT05	NUT, FLANGE M5	1		
13	GA552SC11	SCREW, TAPPING M4X16	2		
14	GA554NT04	NUT, FLANGE M6x1.0	3		
15	W99605	WASHER	1		
16	458033	BRACKET (LH.)	1		
17	458034	BRACKET (RH.)	1		
18	S07601	BOLT, FLANGE M6X16 (Dark Green)	7		
19	GA556WS06	WASHER, SPRING 10.2X3.7X2.5t	2		
20	S20035	FLANGE BOLT M10X1.25X40L	2		
21	GA556WS04	SPRING WASHER 8.2X3.2X2t	2		
22	S99808	BOLT M8X42L	2		



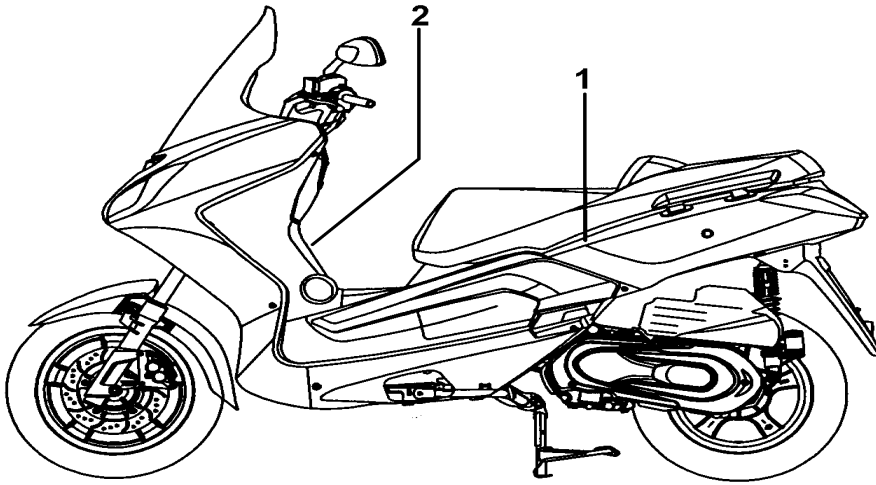
ITEM	PART NO	DESCRIPTION	Q'TY	AMEND	NOTE
01	413425IGY	RIM COMP., REAR WHEEL 4.0X13" (GREY)	1		
02	413420	TIRE 140/60-13	1		
03	GF5299901	INLET COMP., AIR	1		
04	413424Y	DISC, BRAKE 220mm	1		
05	413423	COLLAR	2		
06	413429	REAR FORK ASSY.	1		
07	GA558NT03	NUT, SELFLOCK M16X14	1		
08	S20819	BOLT M8X45L	2		
09	GA558SC02	BOLT M8X1.25X15L	5		
10	413430	CLAMP	1		
11	S20603	BOLT, FLANGE M6X12	1		



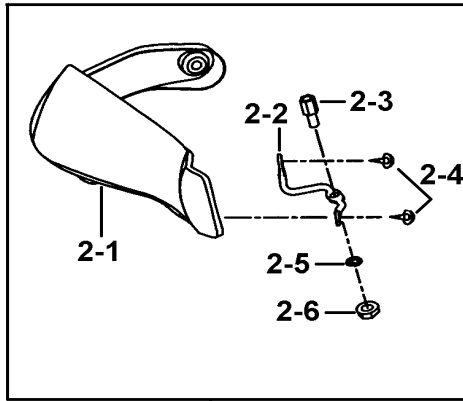
ITEM	PART NO	DESCRIPTION	Q'TY	AMEND	NOTE
01	413652	CALIPER	1		
01-1	414020	PAD ASSY.	1		
02	413653	MASTER CYLINDER	1		
02-1	414055	LEVER, HANDLE BAR RH	1		
02-2	414042	LIMITED SWITCH ASSY.	1		
03	413651	HOSE ASSY., FRONT BRAKE	1		
03-1	S21001	OIL BOLT M10X1.25X22L	2		
03-2	GA559WS04	WASHER, 10.2X15X1.2t	4		
04	W99805	WASHER	2		
05	S99802	BOLT, HEX. HEAD M8X35	2		



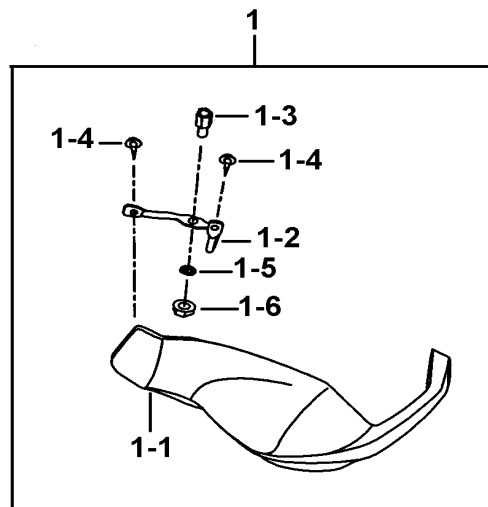
ITEM	PART NO	DESCRIPTION	Q'TY	AMEND	NOTE
01	413513	CALIPER	1		
01-1	414043	PAD ASSY.	1		
02	413514	MASTER CYLINDER	1		
02-1	414054	LEVER, HANDLE BAR LH	1		
02-2	414042	LIMITED SWITCH ASSY.	1		
03	413510	HOSE ASSY., REAR BRAKE	1		
03-1	S21001	OIL BOLT M10X1.25X22L	2		
03-2	GA559WS04	WASHER, 10.2X15X1.2t	4		
04	GA556WS04	SPRING WASHER 8.2X3.2X2t	2		
05	S20821	BOLT M8X50	2		
06	W99806	WASHER 8.5X16X2	2		



ITEM	PART NO	DESCRIPTION	Q'TY	AMEND	NOTE
01	459672	LABEL, LUGGAGE BOX	1		
02	459157	LABEL, WARNING	1		



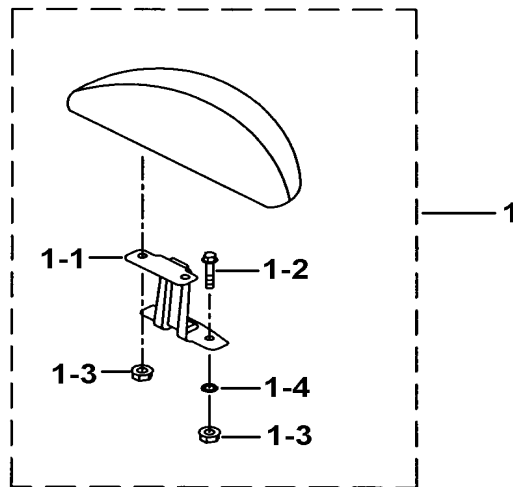
2



1-1



ITEM	PART NO	DESCRIPTION	Q'TY	AMEND	NOTE
01	413096A	HAND GUARDS COMP., LH.	1		
01-1	413096	HAND GUARDS, LH.	1		
01-2	413098	BKRT., HAND GUARDS, LH.	1		
01-3	S96607	BOLT, SPACER	1		
01-4	S50501	SCREW, OVAL HEAD M5X12L	2		
01-5	W10601	SPRING WASHER	1		
01-6	N10602	NUT	1		
02	413097A	HAND GUARDS COMP., RH.	1		
02-1	413097	HAND GUARDS, RH.	1		
02-2	413099	BKRT., HAND GUARDS, RH.	1		
02-3	S96607	BOLT, SPACER	1		
02-4	S50501	SCREW, OVAL HEAD M5X12L	2		
02-5	W10601	SPRING WASHER	1		
02-6	N10602	NUT	1		



ITEM	PART NO	DESCRIPTION	Q'TY	AMEND	NOTE
01	414047A	SEAT ASSY., BACK	1		
01-1	414048	BRACKET	1		
01-2	S20805	BOLT, FLANGE M8X42	2		
01-3	N25801	NUT, SELFLOCK M8	4		
01-4	W99805	WASHER	2		