

## R50X

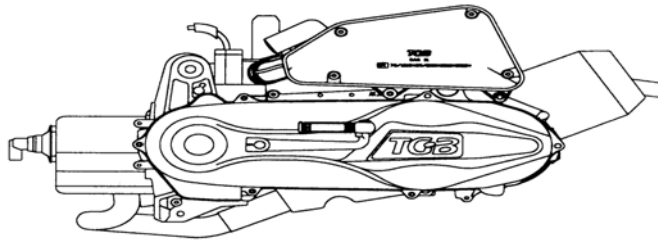
*To return to this index click on main picture*

Section	Description
0	<a href="#">Engine</a>
1	<a href="#">Cylinder, Crankcase</a>
2	<a href="#">Crankcase</a>
3	<a href="#">Crankshaft</a>
4	<a href="#">Carburettor</a>
5	<a href="#">Oil Pump</a>
6	<a href="#">CVT</a>
7	<a href="#">Exhaust</a>
8	<a href="#">Cooling Fan</a>
9	<a href="#">Air Cleaner</a>
10	<a href="#">Reducing Gear</a>
11	<a href="#">Kick Starter</a>
12	<a href="#">Starter Motor</a>
13	<a href="#">Flywheel, Magneto, Ignition Coil</a>
14	<a href="#">Battery, Horn, Relay, Rectifier</a>
15	<a href="#">Wiring Harness, Lock Set</a>
16	<a href="#">Speedometer</a>
17	<a href="#">Head Lamp, Front Indicators</a>
18	<a href="#">Rear Lamps</a>
19	<a href="#">Frame</a>
20	<a href="#">Stand</a>
21	<a href="#">Fuel Tank</a>
22	<a href="#">Oil Tank</a>
23	<a href="#">Seat</a>
24	<a href="#">Frame Cover</a>
25	<a href="#">Front Leg Shield</a>
26	<a href="#">Rear Leg Shield</a>
27	<a href="#">Front Fork</a>
28	<a href="#">Front Fender</a>
29	<a href="#">Front Wheel, Disc</a>
30	<a href="#">Handle Bar</a>
31	<a href="#">Handle Bar Cover</a>
31-01	<a href="#">Windscreen</a>
32	<a href="#">Handle Bar Switches</a>
33	<a href="#">Rear Fender</a>
34	<a href="#">Rear Wheel</a>
35	<a href="#">Calliper, Master Cylinder Front</a>
36	<a href="#">Calliper, Master Cylinder Rear</a>
37	<a href="#">Labels</a>

0

ENGINE ASSY.

BM1

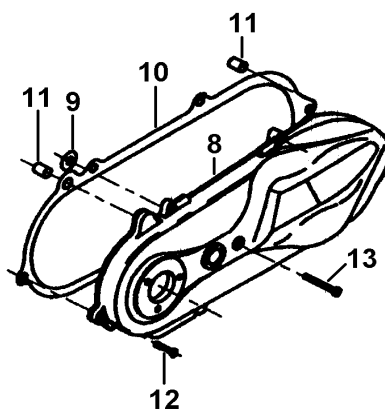
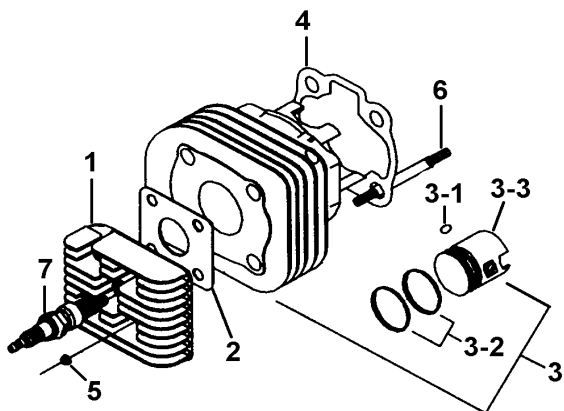


ITEM	PART NO	DESCRIPTION	Q'TY	AMEND	NOTE
01	GI5570400U	ENGINE ASSY.(EURO 2)	1		

1

## CYLINDER AND CRANK CASE COVER

BM1

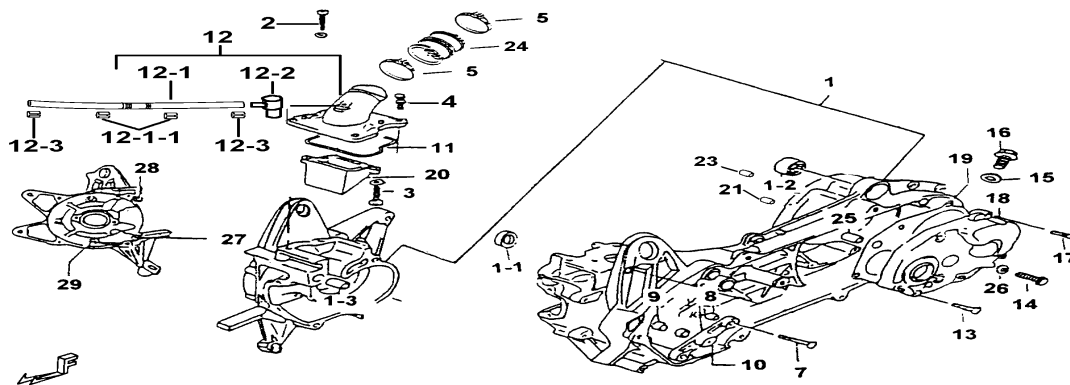


ITEM	PART NO	DESCRIPTION	Q'TY	AMEND	NOTE
01	GA504AL01	HEAD, CYLINDER	1		
02	GA504PK01	GASKET, CYLINDER HEAD	1		
03	GA5049911	CYL SET, WITH PISTON, RINGS AND C/CLIP	1		
03-1	GA505SR01	CIRCLIP □11	2		
03-2	GA5059905	RING SET, PISTON	1		
03-3	423046	PISTON	1		
04	GA504PK02	GASKET, CYLINDER	1		
05	GA504NT01	NUT, FLANGE M6	4		
06	GA504SC01	STUD M6X100	4		
07	GI5010005	SPARK PLUG BPR7HS	1		
08	421527	COVER, CLUTCH	1		
09	GA504PK11	WASHER	1		
10	421533	GASKET, CLUTCH	1		
11	GA504PN01	PIN, KNOCK 8.5x11x18	2		
12	S70610	SCREW, SOCKET HEAD M6x25	6		
13	S70611	SCREW, SOCKET HEAD M6x50	1		

2

## CRANK CASE

BM1

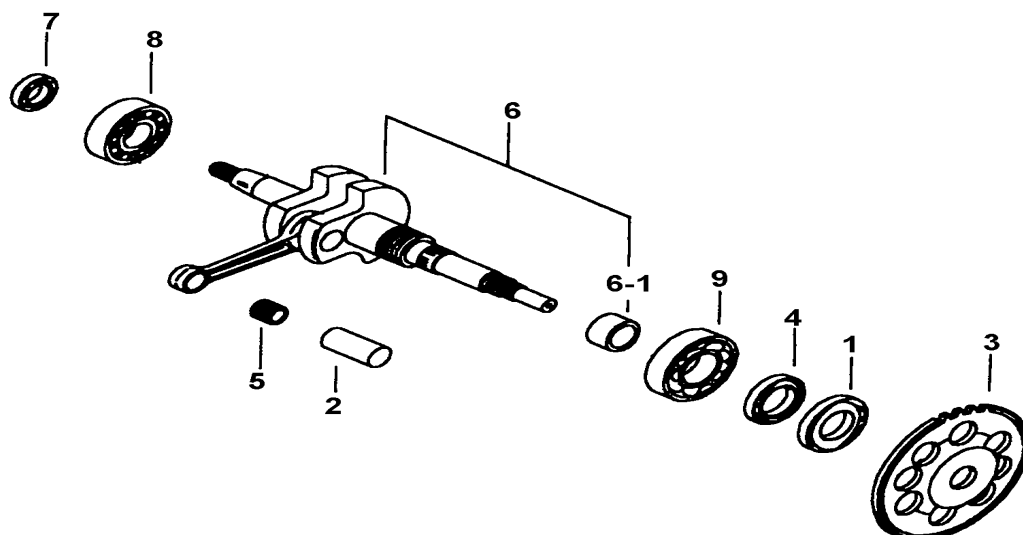


ITEM	PART NO	DESCRIPTION	Q'TY	AMEND	NOTE
01	GE5020003	CRANK CASE COMP.	1	-629154	
01-1	GL502BR01YT	BEARING 17X35X10	2		
01-2	GA5049904	BUSH COMP.	1		
01-3	GA504PN01	PIN, KNOCK 8.5x11x18	2		
01A	422060	CRANK CASE COMP.	1	629155→	
02	S79601	SCREW, SOCKET HEAD M6x20	3		
03	S79401	SCREW, SOCKET HEAD M4x20	2		
04	S71603	BOLT, BREAKABLE, HEX. HEAD M6X16	1		
05	422038	CLIP	2		
07	S70602	SCREW, HEX. SCCKET M6X1.0X25L	2		
08	GA504PN02	PIN, DOWEL 6.5x9x10	2		
09	GA504BS01	BUSH	1		
10	GA6029905	CAP SET, STARTER IDLE GEAR	1		
11	421008	GASKET, INTAKE PIPE	1		
12	421001A	PIPE ASSY., INTAKE	1		
12-1	425060	HOSE OIL COMP.	1	633218→	
12-1-1	425062	CLIP	2	633218→	
12-2	GA5049909	VALVE ASSY., NON-RETURN	1	633218→	
12-3	R36501	CLIP	2		
13	S70603	SCREW, SOCKET HEAD M6x30	1		
14	GA904SC12	BOLT, FLANGE M6X12	1		
15	GA504WS02	WASHER	1		
16	GA504SC12	BOLT, FLANGE 8X12	1		
17	S70602	SCREW, HEX. SCCKET M6X1.0X25L	5		
18	GA602AL07	COVER, GEAR BOX	1		
19	GA504PK05	GASKET, GEAR BOX COVER	1		
20	GA5049907	VALVE ASSY., REED	1		
21	422054	PLUG	1		
23	422056	PLUG	1		
24	421002	RUBBER TUBE	1		
25	GA504PN01	PIN, KNOCK 8.5x11x18	2		
26	W99601	WASHER 6X12X2	1		
27	S70606	SCREW, SOCKET HEAD M6x75	1		
28	S70605	SCREW, SOCKET HEAD M6x85	1		
29	S70601	SCREW, SOCKET HEAD M6X45	3		

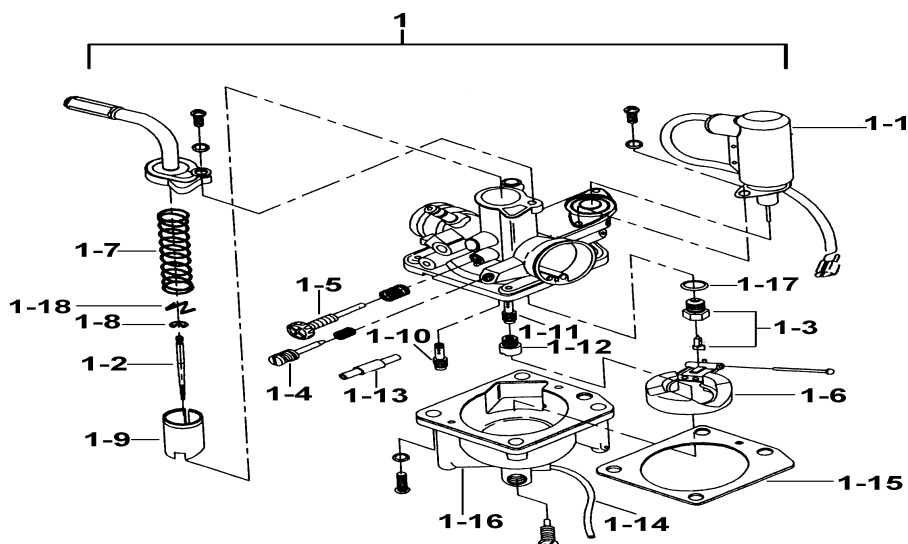
3

## CRANK SHAFT

BM1



ITEM	PART NO	DESCRIPTION	Q'TY	AMEND	NOTE
01	GA505OS03	SEAL, OIL 24X43X6	1		
02	GA505PN01	PIN, PISTON	1		
03	GA505FE05	GEAR, STARTER	1		
04	GA505OS02	OIL SEAL, LH. 25X37X6	1		
05	GA505BR01A	BEARING, PISTON PIN 10X14X12.5	1		
06	423051Y	CRANK SHAFT ASSY.	1		
06-1	GA505BS01	SPACER 18X24X14	1		
07	GA505OS01	OIL SEAL, RH. 17X27X6	1		
08	GA505BR03	BEARING, RH. 20X47X14	1		
09	GA505BR04	BEARING, LH. 25X52X13	1		

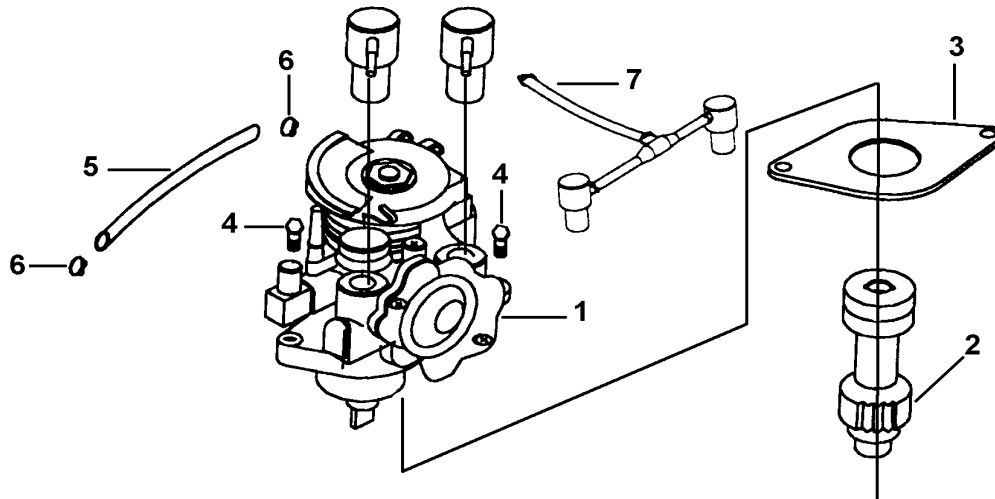


ITEM	PART NO	DESCRIPTION	Q'TY	AMEND	NOTE
01	424026A	CARBURETTOR ASSY.	1		
01-1	GA5089905	ELEMENT ASSY., THERMO	1		
01-10	GA508CU13	IDLE JET	1		
01-11	424014	MAIN NOZZLE	1		
01-12	GA508CU01	MAIN JET M.J.60	1		
01-13	425016	OIL CHECK VALVE B (LINEAR TYPE)	1		
01-14	424018	CARBURETTOR DRAIN TUBE	1		
01-15	424031	GASKET SET	1		
01-16	424043	CHAMBER SET, FLOAT	1		
01-17	424050	GASKET	1		
01-18	424096	CLIP	1		
01-2	GA508AL01	NEEDLE, JET	1		
01-3	GA508FE05	VALVE, NEEDLE	1		
01-4	GA5089907	SCREW SET, AIR	1		
01-5	GA5089908	SCREW SET, IDLE SPEED	1		
01-6	GA508PL10	FLOAT	1		
01-7	424080	SPRING	1		
01-8	424012	SNAP RING C TYPE	1		
01-9	424013	VALVE, THROTTLE	1		

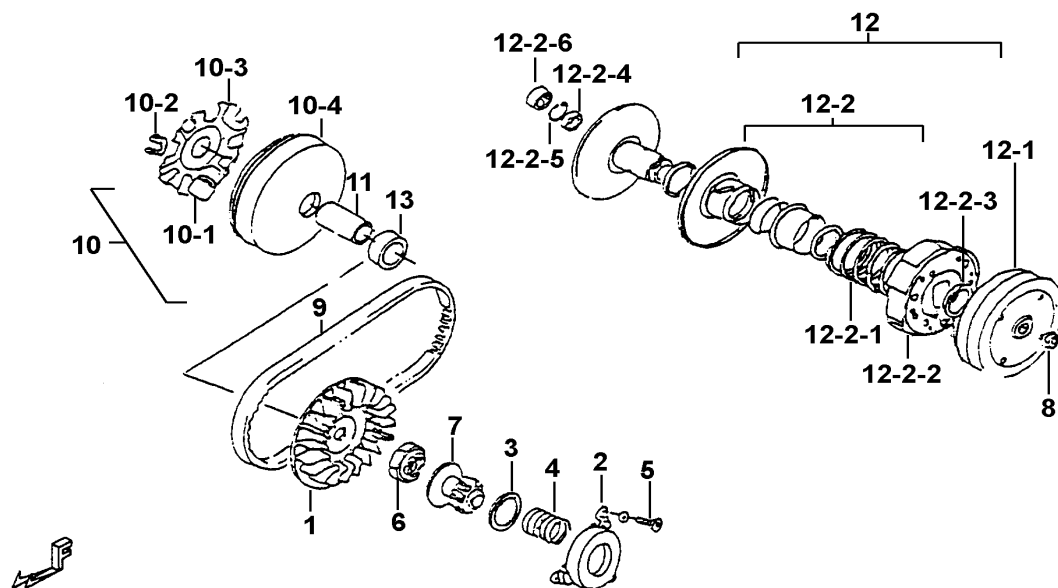
5

## OIL PUMP

BM1

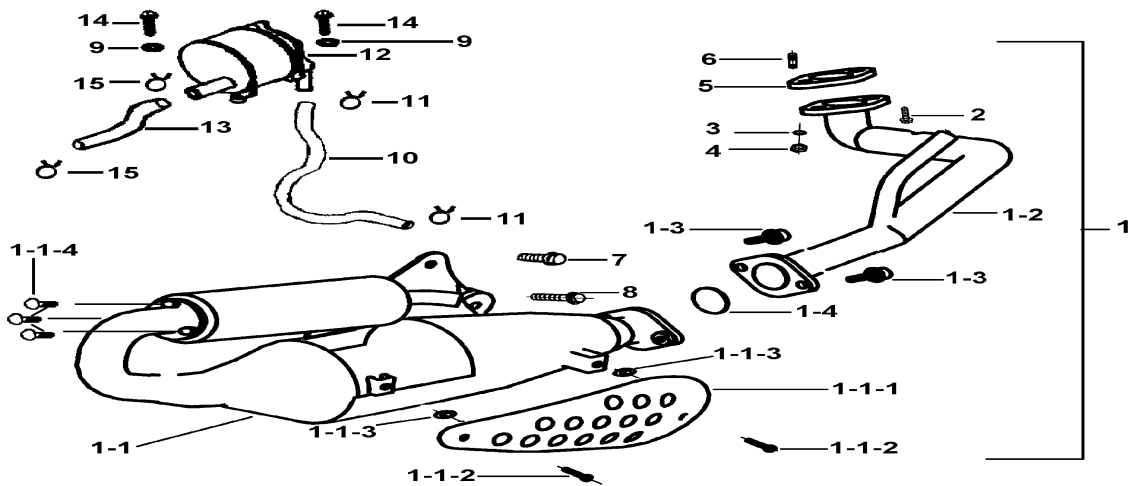


ITEM	PART NO	DESCRIPTION	Q'TY	AMEND	NOTE
01	425037	PUMP ASSY., OIL	1	←629154	
01A	425051	PUMP ASSY., OIL	1	629155→	
02	GA508PL01	GEAR, OIL PUMP DRIVEN	1		
03	GA508PK02	GASKET, OIL PUMP	1	←629154	
03A	GA508PK01	GASKET, OIL PUMP	1	629155→	
04	S79501	SCREW, SOCKET HEAD M5x16	2		
05	GA605PP02	HOSE OIL	1		
06	R36501	CLIP	2		
07	425038	THREE WAY CHECK VALVE ASSY.	1	←633217	

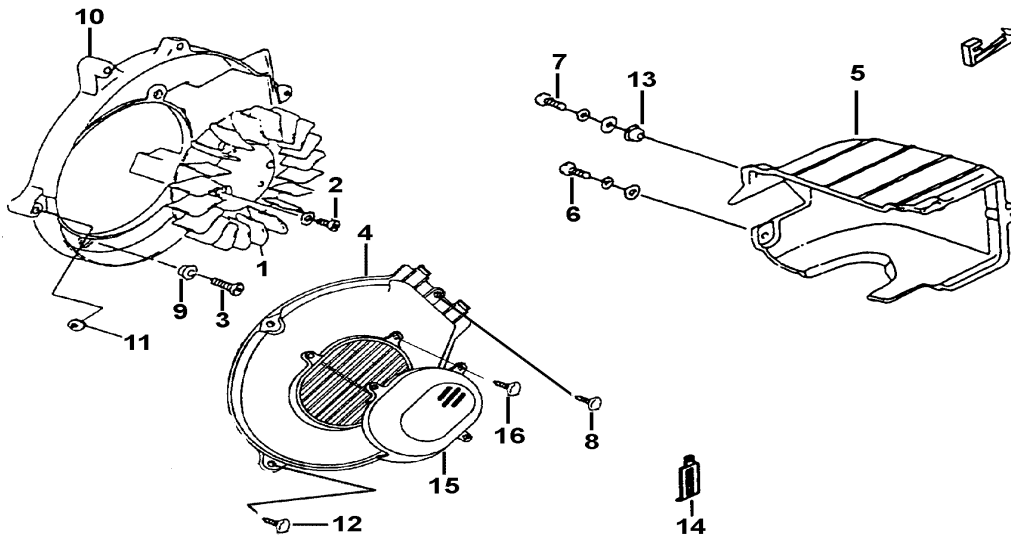


ITEM	PART NO	DESCRIPTION	Q'TY	AMEND	NOTE
01	GA906AL01A	FACE, FIXED DRIVE	1		
02	GA906FE01A	HOLDER, KICK DRN GEAR SPRING	1		
03	GA506WS02	WASHER	1		
04	GA506SP01	SPRING 30.5X24.9	1		
05	S79605	SCREW, SOCKET HEAD	3		
06	GA906FE04	STARTER, KICK RH.	1		
07	GA5069904	STARTER SET, KICK LH.	1		
08	GA501NT01	NUT, FLANGE M10	1		
09	GE506RB01	V-BELT, DRIVE	1		
10	490048	PULLEY COMP., DRIVE	1		
10-1	490045A	ROLLER COMP., MOVABLE DRIVE FACE	1		
10-2	PG289931	GUIDE, MOVABLE DRIVE FACE PLATE	3		
10-3	490044	PLATE, FIXED DRIVE	1		
10-4	490041	FACE COMP., DRIVE MOVABLE	1		
11	A02806FE01	SPACER	1		
12	490291	PULLEY COMP., DRIVEN	1		
12-1	PG289933	HOUSING COMP., CLUTCH	1		
12-2	490051	PULLEY ASSY., DRIVEN	1		
12-2-1	PT506SP02	SPRING, MOVABLE DRIVEN FACE	1		
12-2-2	490498	CLUTCH ASSY., SHOE	1		
12-2-3	A02806NT01	NUT, HEX. M28	1		
12-2-4	490385	BEARING	1		
12-2-5	A02806SR01	CIR-CLIP	1		
12-2-6	490384	NEEDLE BEARING	1		
13	428000	SPACER 6.0	1	-660506	
13A	428003	SPACER 4.6	1	660507→	





ITEM	PART NO	DESCRIPTION	Q'TY	AMEND	NOTE
01	426220	BODY COMP., MUFFLER	1		
01-1	426171	BODY, MUFFLER	1		
01-1-2	S45605A	SCREW, OVAL HEAD M6X12(BLACK)	2		
01-1-3	W99506	WASHER	2		
01-1-4	S72605	BOLT, HEX HEAD M6X16 (Silver White)	3		
01-1A	426171C	BODY, MUFFLER(CHROMIUM PLATED)	1		OPTION
01-2	426172	PIPE, MUFFLER	1		
01-3	S96803	SCREW, SPECIAL	2		
01-4	426104	GASKET, MUFFLER	1		
02	S96601	SCREW, SPECIAL	1		
03	GA504WS04	WASHER, SPRING	1		
04	GA509NT01	NUT, HEX. HEAD M6	1		
05	GA509PK01	GASKET, EXHAUST PIPE	1		
06	GA509SC06	STUD M6X25	1		
07	S20814	BOLT, FLANGE M8X1.25X20L	1		
08	S20802	BOLT, FLANGE M8X30L	1		
09	W99602	WASHER 6.5X12X1.0	2		
10	426173	HOSE, RUBBER	1		
11	426081	CLIP	2		
1-1-1	426176PA	COVER, MUFFLER(BLACK)	1		
1-1-1A	426176	COVER, MUFFLER(CHROMIUM PLATED)	1		OPTION
12	426141	SECOND-AIR CONTROL ASSY.	1		
13	426085	HOSE, RUBBER	1		
14	S70607	SCREW, SOCKET HEAD M6X20	2		
15	R40902	CLIP	2		

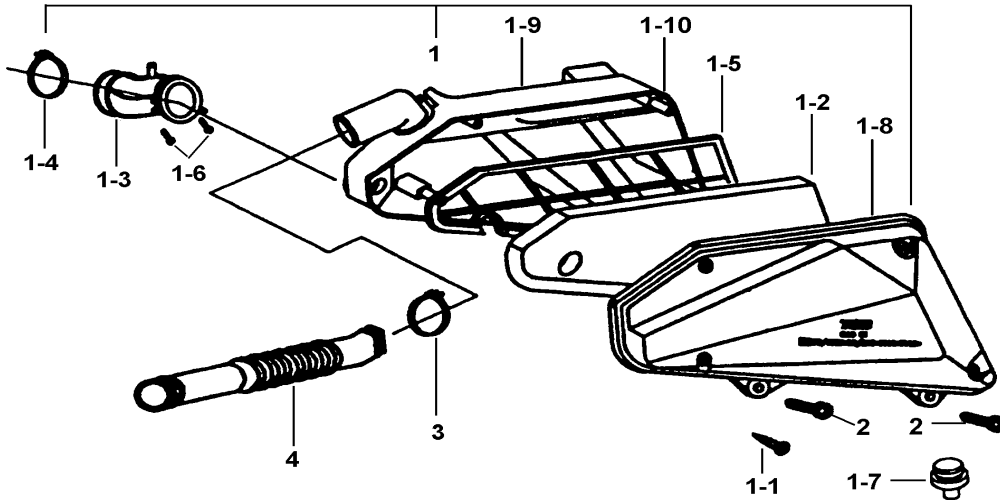


ITEM	PART NO	DESCRIPTION	Q'TY	AMEND	NOTE
01	GA608PL10	FAN, COOLING	1	-641196	
01A	427044	FAN, COOLING	1	641197→	
02	S79602	SCREW, SOCKET HEAD M6x16	4		
03	S70609	SCREW, SOCKET HEAD M6x16	4		
04	GA608PL11	COWLING, FAN	1		
05	427002E	COWLING, CYLINDER ASSY.	1		
06	S71602	SCREW, SOCKET HEAD M6x40	1		
07	S71604	SCREW, SOCKET HEAD M6x20	1		
08	GA509SC02	SCREW, TAPPING M6x20	4		
09	GA509WS05	WASHER 6X13X6	4		
10	GE508PL14	CASE, FAN	1		
11	420009	SPACER	1		
12	GA509SC20	SCREW, TAPPING	1		
13	427006	WASHER	1		
14	GA501SR01	CLAMP	1		
15	528000	PROTECTOR COWLING, FAN	1	-613910	
16	S50401	SCREW TAPPING M4X12	3	-613910	

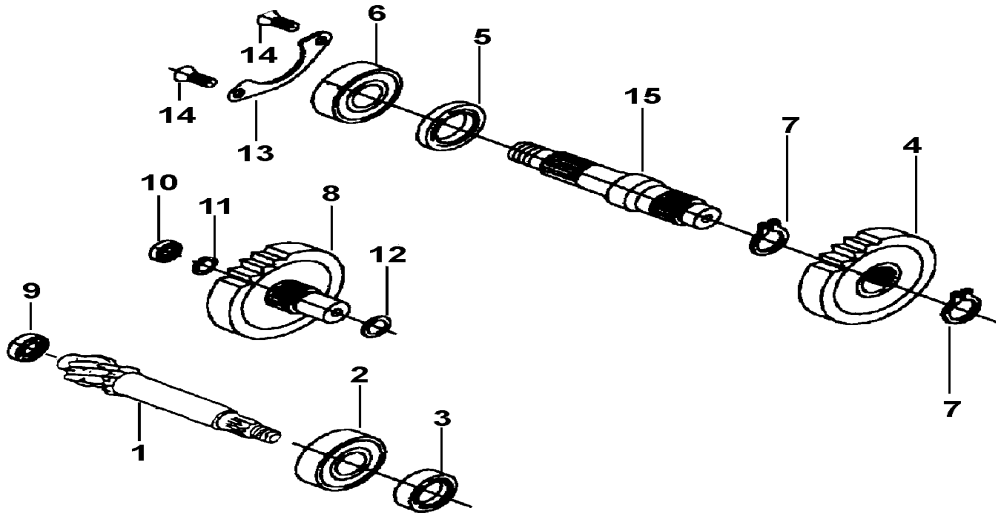
9

## AIR CLEANER

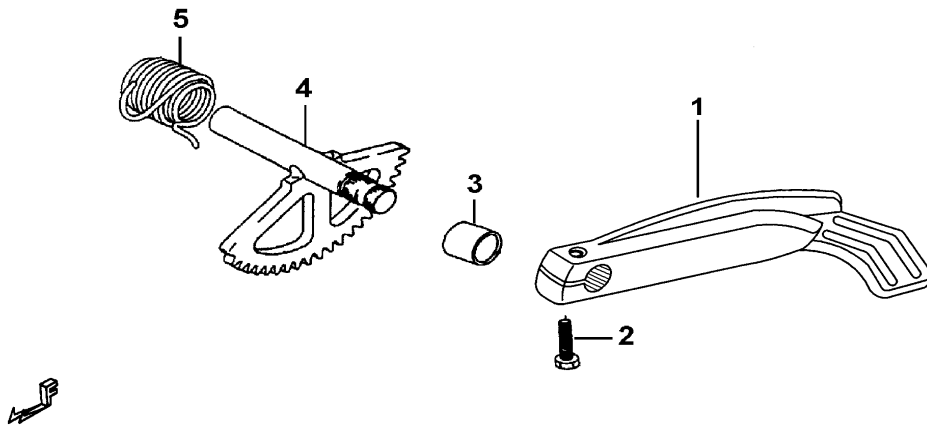
BM1



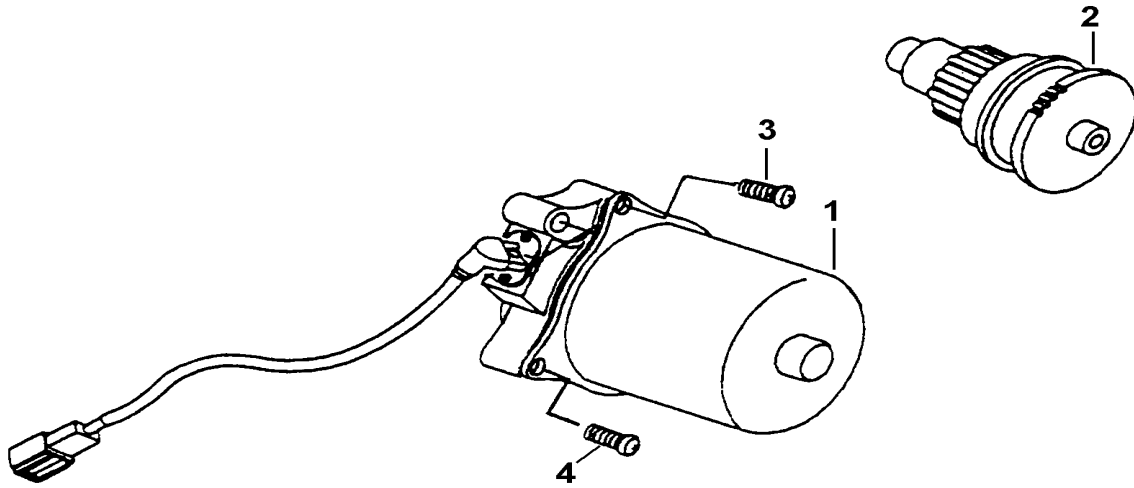
ITEM	PART NO	DESCRIPTION	Q'TY	AMEND	NOTE
01	420085	CLEANER ASSY., AIR	1		
01-1	S51502	SCREW, TAPPING	4		
01-10	420068	GASKET	1		
01-2	420031	FILTER	1		
01-3	420003	TUBE, OUTLET	1		
01-4	422039	CLAMP. □38	1		
01-5	420041	DIVISION PLATE	1		
01-6	S50402	SCREW, TAPPING M4X10	2		
01-7	420072	PLUG, LEAK	1		
01-8	420039	COVER, UPPER	1		
01-9	420086	COVER, LOWER □15.5	1		
02	S70603	SCREW, SOCKET HEAD M6x30	2		
03	422037	CLIP φ32	1		
04	GA904PL09	DUCT, COOLING	1		



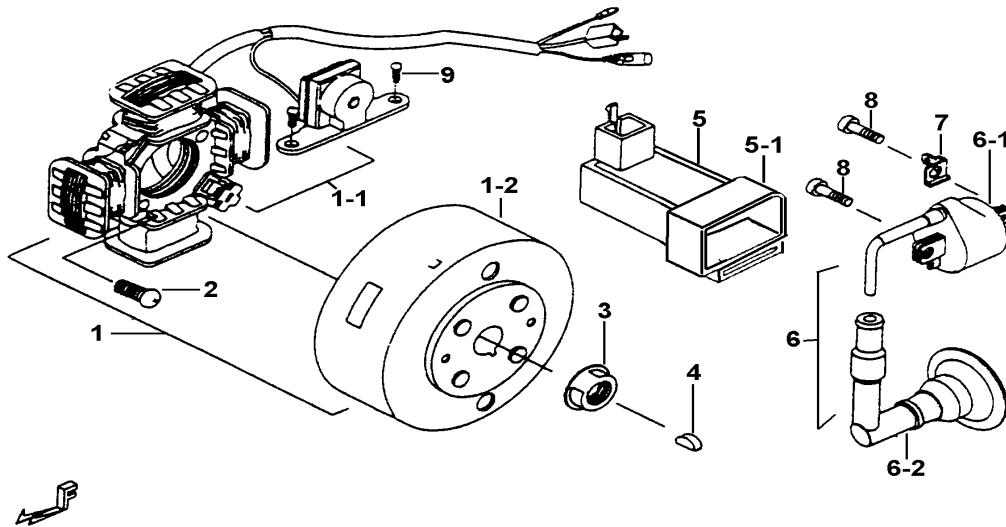
ITEM	PART NO	DESCRIPTION	Q'TY	AMEND	NOTE
01	427529	SHAFT, DRIVE 15T	1	←660506	
01A	427509B	SHAFT, DRIVE 12T	1	660507→	
02	GA507BR04	BEARING, DRIVE SHAFT, LH. 17x47x14	1		
03	GA507OS01	OIL SEAL, DRIVE SHAFT 17x27x5	1		
04	427535	GEAR, FINAL DRIVEN 35T	1	←660506	
04A	427533	GEAR, FINAL DRIVEN 41T	1	660507→	
05	GA507OS02	OIL SEAL, REAL AXLE 27x40x6	1		
06	GA507BR06	BEARING, GEAR AXLE, RH. 20x47x14	1		
07	GA507SR02	CIRCLIP, FINAL DRIVEN GEAR □ 22	2		
08	427539	SHAFT COMP., IDLE 51T/10T	1	←660506	
08A	427531	SHAFT COMP., IDLE 49T/11T	1	660507→	
09	GA507BR03	BEARING, DRIVE SHAFT, RH. 12X32X10	1		
10	GA507BR02	BEARING, IDLER, RH. 12x32x10	1		
11	GA507WS01	WASHER	1		
12	GA507WS02	WASHER, IDLE SHAFT, LH.	1		
13	GA507FE04	RETAINER, REAR AXLE BEARING	1		
14	GA507SC01	SCREW, BEARING RETAINER M6x16	2		
15	427540	SHAFT, REAR AXLE	1		



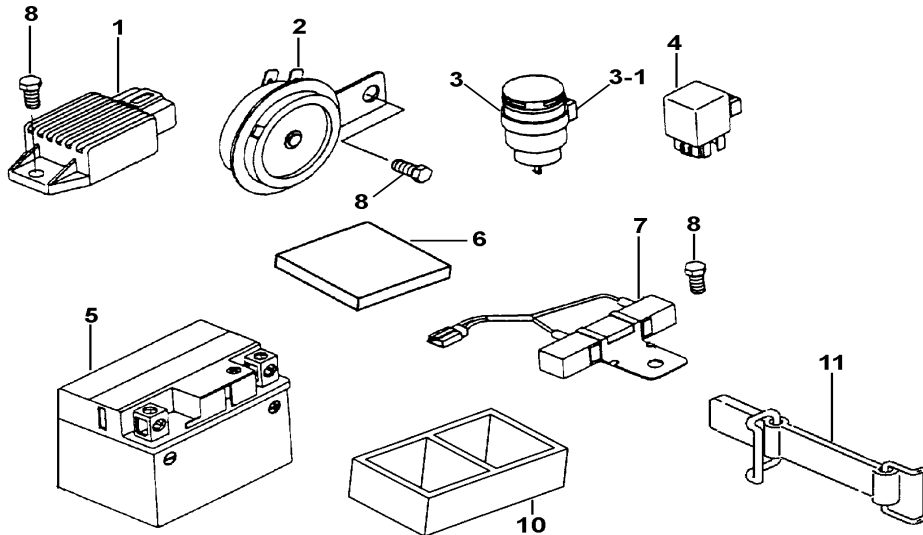
ITEM	PART NO	DESCRIPTION	Q'TY	AMEND	NOTE
01	428504	LEVER ASSY., KICK STARTER	1		
02	GA905SC01	BOLT, HEX. HEAD M8X22	1		
03	GA505BS05	BUSH, KICK STARTER SHAFT	1		
04	GA5059910	SHAFT COMP., STARTER	1		
05	GA505SP01	SPRING, KICK STARTER SHAFT	1		



ITEM	PART NO	DESCRIPTION	Q'TY	AMEND	NOTE
01	GA9029901	MOTOR ASSY., STARTING	1		
02	GA9029902A	PINION GEAR ASSY.	1		
03	S70602	SCREW, HEX. SCCKET M6X1.0X25L	1		
04	S70603	SCREW, SOCKET HEAD M6x30	1		

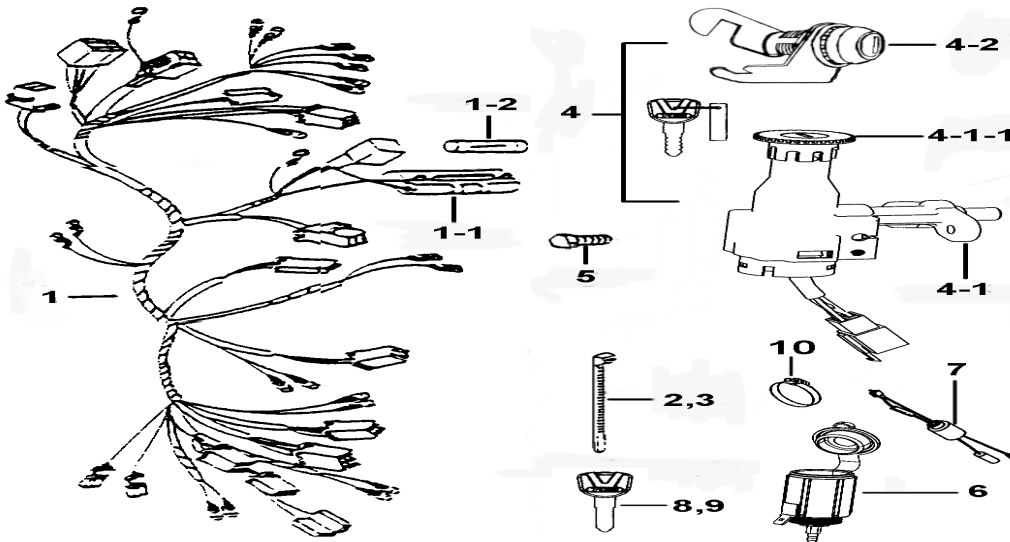


ITEM	PART NO	DESCRIPTION	Q'TY	AMEND	NOTE
01	440987	FLYWHEEL MAGNETO ASSY..(8N)	1	-637027	
01-1	440994	STATOR ASSY.	1	-637027	
01-1A	GE5139904	STATOR ASSY.	1	637028→	
01-2	440995	ROTOR ASSY.	1	-637027	
01-2A	441069	ROTOR ASSY.	1	637028→	
01A	441070	FLYWHEEL MAGNETO ASSY..(4N)	1	637028→	
02	S79603	SCREW, SOCKET HEADM6X25	2		
03	GA501NT01	NUT, FLANGE M10	1		
04	GA501KY01	KEY	1		
05	441029	C.D.I.	1		
05-1	GE514RB02	BUSH, RUBBER	1	-670667	
05-1A	400519	BUSH, RUBBER	1	670668→	
06	GE5139903	COIL ASSY., IGNITION	1		
06-1	GE5139906	COIL SET, IGNITION	1		
06-2	GE513RB01	CAP SET, SPARK PLUG	1		
07	440564	EARTH TERMINAL	1		
08	S70607	SCREW, SOCKET HEAD M6X20	2		
09	S79503	SCREW, SOCKET HEAD	2		



ITEM	PART NO	DESCRIPTION	Q'TY	AMEND	NOTE
01	GA5140001	RECTIFIER	1		
02	GF5149906	HORN ASSY.	1		
03	440800A	RELAY, TURN SIGNAL	1		
03-1	440745	BUSH, RUBBER	1		
04	GA5100004A	RELAY	1		
05	GA5140003	BATTERY, 4AH	1	←637027	
05A	440805A	BATTERY 12V 9AH	1	637028→	
06	GF514TH02	CUSHION	4		
07	400587	RESISTOR SET	1		
08	GA510SC03	SCREW, HEX. HEAD M6X16	3		
10	440767	CUSHION, BATTERY	1	←637027	
11	526405	BAND, BATTERY	1		



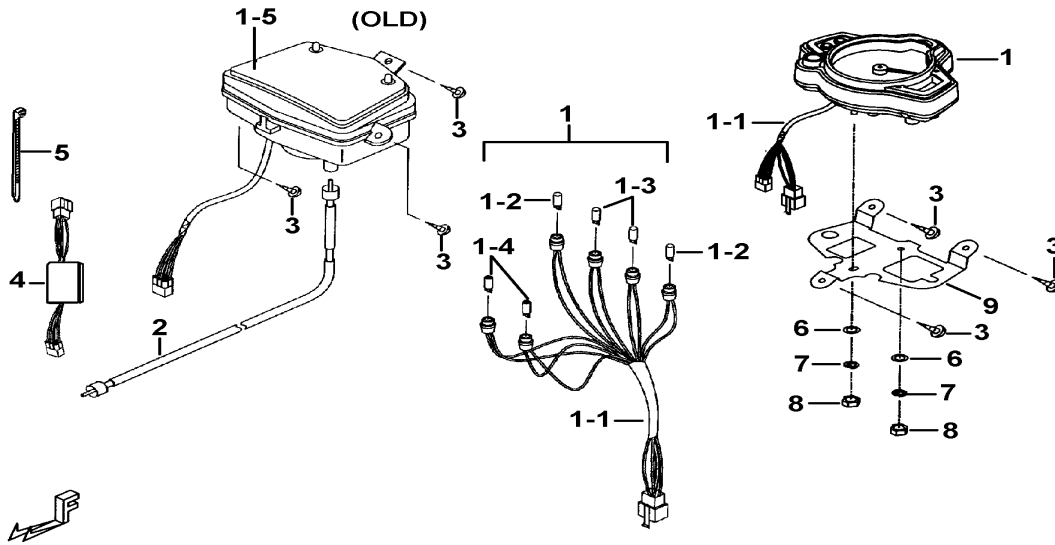


ITEM	PART NO	DESCRIPTION	Q'TY	AMEND	NOTE
01	440985	WIRING HARNESS	1	←691307	
01-1	GF5159906	CASE SET, FUSE	1		
01-2	GF5159907	FUSE 7A	1		
01A	441062	WIRING HARNESS	1	691308→	
02	400535	CLAMP L300	2		
03	GA510SR02	CLAMP L200	1		
04	440979	LOCK ASSY.	1		
04-1	440991	LOCK SET, STEERING	1		
04-1-1	440996	CAP, INDICATOR	1		
04-2	440992-S	LOCK	1		
05	S96601	SCREW, SPECIAL	2		
06	440986	POWER SOURCE	1		
07	440990	CONNECT WIRE	1		
08	440997	BLANK KEY RH.	1		
09	440998	BLANK KEY LH.	1		
10	422039	CLAMP. □38	1		

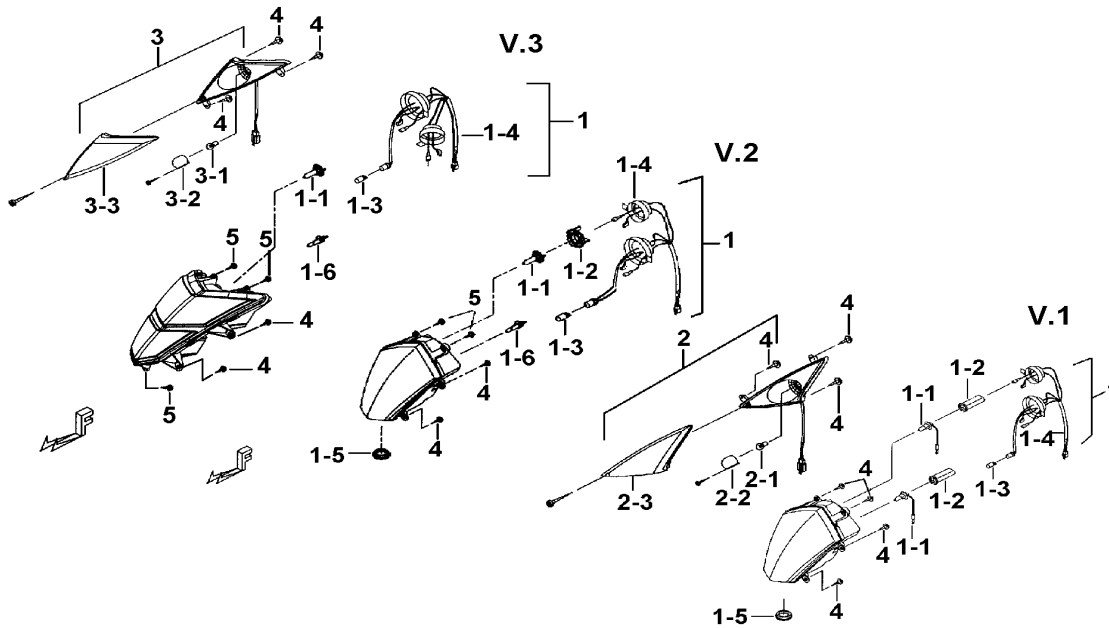
16

## SPEEDOMETER

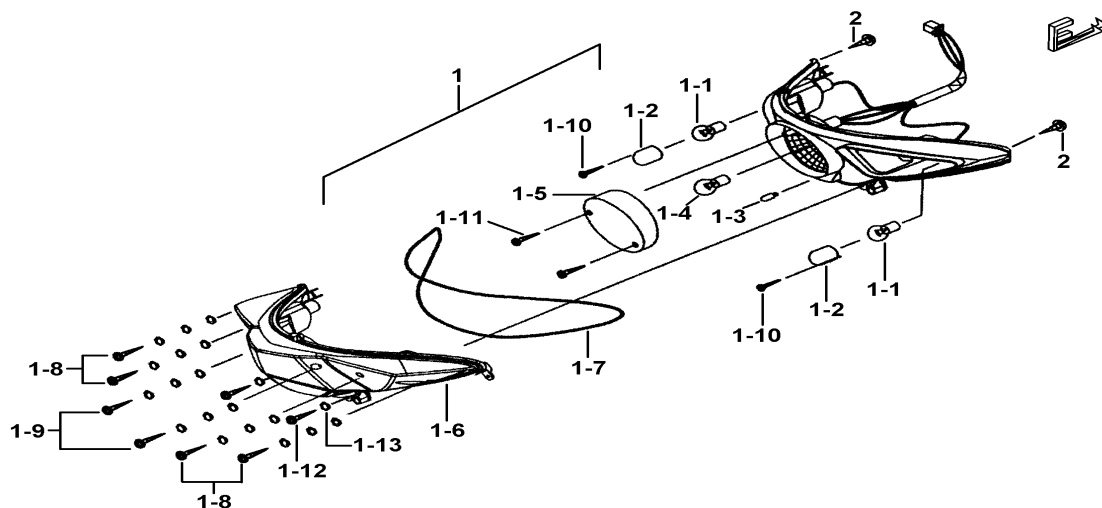
BM1



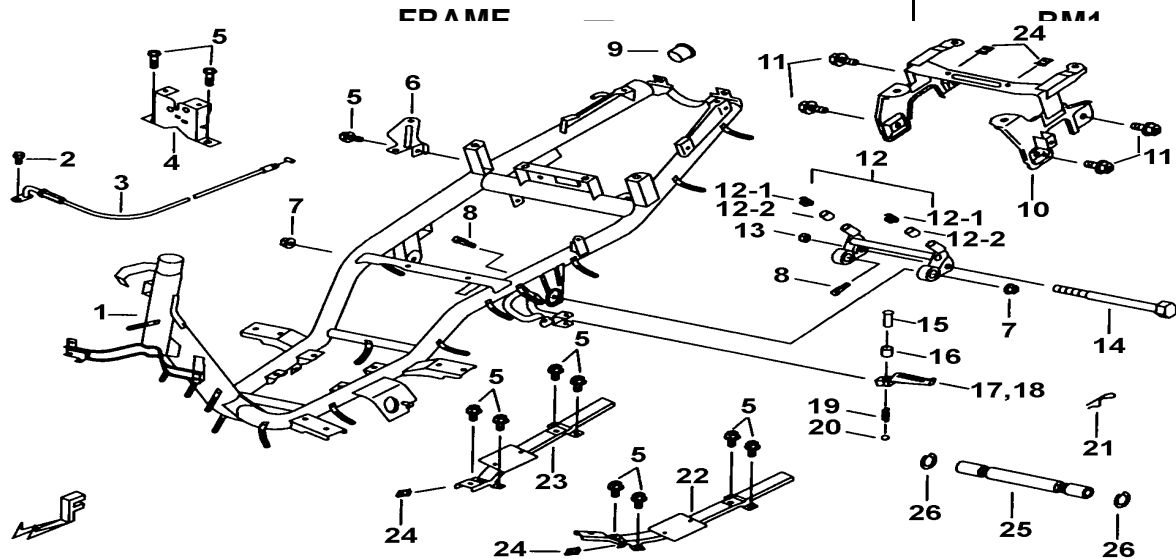
ITEM	PART NO	DESCRIPTION	Q'TY	AMEND	NOTE
01	457131A	SPEEDOMETER ASSY.	1	←691307	
01-1	457117	SOCKET COMP.	1	←691307	
01-1A	414086	SOCKET COMP.	1	691308→	
01-2	457118	BULB 14V 3W	2	←691307	
01-3	441078	BULB (12V, 1.7W)	2	←691307	
01-4	441079	BULB, BLACK HEAD(12V,1.7W)	2	←691307	
01-5	457116	COVER, SPEEDOMETER	1	←691307	
01A	457162A	SPEEDOMETER ASSY.	1	691308→	
02	411630	CABLE ASSY., SPEEDOMETER	1		
03	GA552SC11	SCREW, TAPPING M4X16	3		
04	414085	STABLIZER, SPEEDOMETER	1	←691307	
05	GA510SR01	CLAMP L150	1		
06	W99525	WASHER	2	691308→	
07	W10501	SPRING WASHER	2	691308→	
08	N20502	NUT, SELFLOCK	2	691308→	
09	457166	BRACKET	1	691308→	



ITEM	PART NO	DESCRIPTION	Q'TY	AMEND	NOTE
01	450039Y	HEAD LAMP ASSY.	1	←691307	
01-1	450058	BULB 55W	2	←628205	
01-1A	450067Y	BULB 55W	1	628206→	
01-2	450060	BRACKET, BULB	2	←628205	
01-2A	450066Y	BRACKET, BULB	1	628206~68 8172	
01-3	400517	BULB 12V, 5W	1		
01-4	450061	SOCKET COMP.	1	←628205	
01-4A	450069Y	SOCKET COMP.	1	628206~69 1307	
01-4B	450088	SOCKET COMP.	1	691308→	
01-5	450062	RUBBER PLUG	1	←628205	
01-5A	450070Y	RUBBER PLUG	1	628206~68 8172	
01-6	450068Y	BULB 55W	1	628206→	
01A	450085	HEAD LAMP ASSY.	1	691308→	
02	450083	TURN SIGNAL LAMP COMP., LH.	1		
02-1	GF5170006	BULB, 12V, R10W	1		
02-2	450059	LENS	1		
02-3	450056	LENS, TURN SIGNAL, LH. FRONT	1		
03	450084	TURN SIGNAL LAMP COMP., RH.	1		
03-1	GF5170006	BULB, 12V, R10W	1		
03-2	450059	LENS	1		
03-3	450057	LENS, TURN SIGNAL, RH. FRONT	1		
04	GA552SC11	SCREW, TAPPING M4X16	8		
05	S50401	SCREW TAPPING M4X12	5		

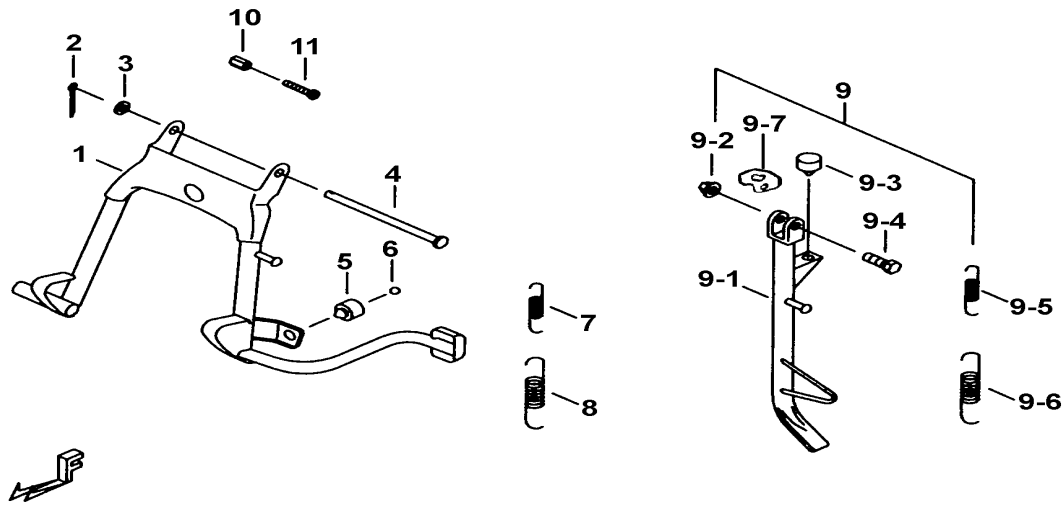


ITEM	PART NO	DESCRIPTION	Q'TY	AMEND	NOTE
01	451065	REAR LAMP ASSY.	1		
01-1	GF5170006	BULB, 12V, R10W	2		
01-10	S60201	SCREW, TAPPING M2X8	2		
01-11	S61304	SCREW, TAPPING M3X10	2		
01-12	S61305	SCREW, TAPPING M3X12	2		
01-13	W02303	WASHER 1t	2		
01-2	451045	LENS	2		
01-3	400517	BULB 12V, 5W	1		
01-4	GF5180002	BULB 12V, P21/5W	1		
01-5	451075	LENS, REAR LAMP	1		
01-6	451043	LENS, REAR LAMP	1		←637082
01-6A	451054	LENS, REAR LAMP	1		637083~69 7838
01-6B	451076	LENS, REAR LAMP	1		697839→
01-7	451046	GASKET	1		
01-8	S60303A	SCREW, TAPPING COMP. M3X25	4		
01-9	S61303A	SCREW, TAPPING COMP. M3X15	2		
02	S50401	SCREW TAPPING M4X12	2		

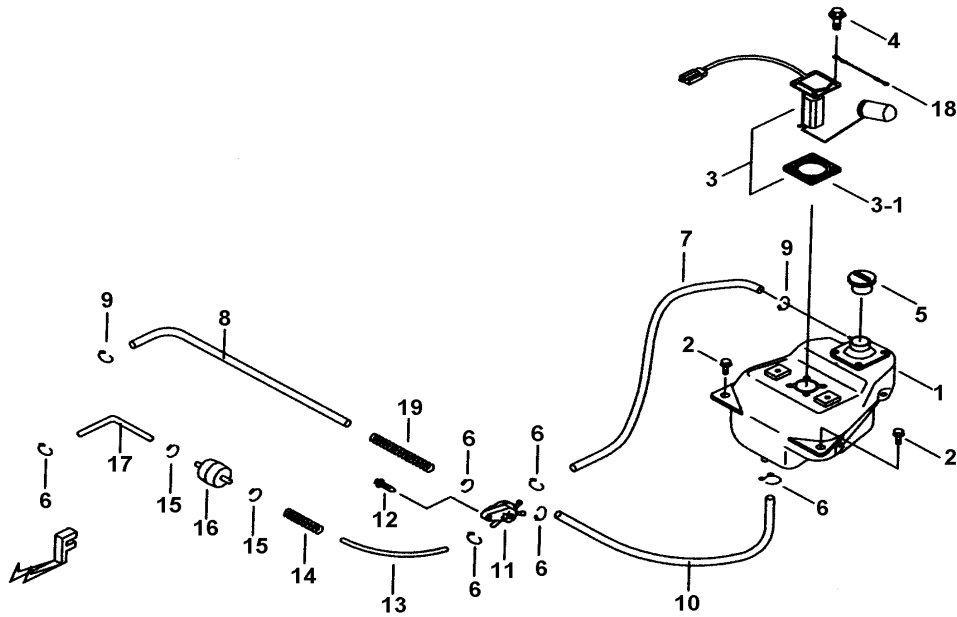


ITEM	PART NO	DESCRIPTION	Q'TY	AMEND	NOTE
01	411975	FRAME	1	←675284	
01A	414926	FRAME	1	675285→	
02	S13502	SCREW,CROSS RECESSED,PAN HEAD M5X10	1		
03	414930	CABLE, LOCK SET, SEAT	1		
04	BH1199904	LOCK SET, SEAT	1		
05	GA556SC01	BOLT, FLANGE M6X1.0X12L	11		
06	411981	BRKT, 2ND AIR	1		
07	GA551NT01	NUT, SELFLOCK M10X1.25	2		
08	S06001	BOLT, HANGER	2		
09	411972	RUBBER CAP	1		
10	411982	BRKT COMP., HANDLE	1		
11	GA551SC02	BOLT	4		
12	401797	ROCKER ARM ASSY., HANGER	1		
12-1	401794	COMPRESSION SPRING	2		
12-2	GI519RB01	DAMPER, RUBBER	2		
13	N25201	NUT, SELFLOCK M12X1.25	1		
14	S21203	BOLT, HEX. HEAD	1		
15	GA551PN02	PIN 6X34	2		
16	GF519FE01	COLLAR, PIN 6X8X20	2		
17	GF519AL05	FOOTREST ASSY., PILLON, LH.	1		
18	GF519AL06	FOOTREST ASSY., PILLION, RH.	1		
19	GF519SP01	SPRING, COMPRESSION 6X12.5	2		
20	GF519FE04	BALL □6.35	2		
21	GA551PN01	COTTER PIN 1.5X30	2		
22	411983	L REINFORCEMENT FLOOR COMP.	1		
23	411984	R REINFORCEMENT FLOOR COMP.	1		
24	N32601	NUT, SPRING	4		
25	BH102FE01	SLEEVE, HANGER	1		
26	R00701	RETAINER RING, C TYPE □16	2		

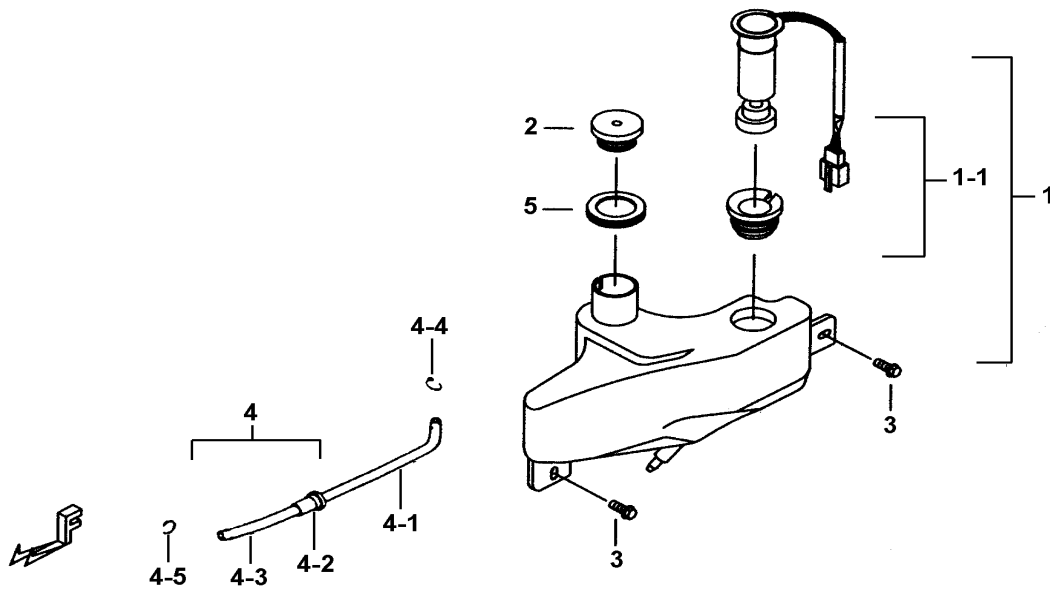
20	STAND	BM1
----	-------	-----



ITEM	PART NO	DESCRIPTION	Q'TY	AMEND	NOTE
01	412050	STAND COMP., MAIN	1		
02	GA551PN04	PIN, COTTER	1		
03	W99806	WASHER 8.5X16X2	1		
04	GA551PN03	SHAFT, MAIN STAND	1		
05	401701	CUSHION	1		
06	GF519FE04	BALL □6.35	1		
07	GA551SP04	SPRING 9X107X1.4	1		
08	GA551SP02	SPRING 16X114X2.8	1		
09	413988	STAND COMP., SIDE	1	←675284	
09-1	412081	SIDE STAND COMP.	1	←685624	
09-1A	412083	SIDE STAND COMP.	1	685625→	
09-2	GA551NT02	NUT, FLANGE SELRLOCK M10x10	1	←685624	
09-2A	GA551NT04	NUT, HEX. HEAD M8	1	685625→	
09-3	GA551RB05	CUSHION	1	←675284	
09-3A	412045	CUSHION	1	675285~685299	
09-3B	GA551RB05	CUSHION	1	685300~685624	
09-3C	412065	CUSHION	1	685625→	
09-4	GA551SC03	BOLT	1	←675284	
09-4A	S96001	BOLT	1	675285~685624	
09-4B	S96809	BOLT	1	685625→	
09-5	402160	SPRING, SIDE STAND	1	←675284	
09-5A	412073	SPRING, SIDE STAND	1	675285→	
09-6	402161	SPRING, SIDE STAND	1	←675284 □	
09-6A	412074	SPRING, SIDE STAND	1	675285→	
09-7	GA551PS54	BRKT, SIDE STAND SPRING	1	675285→	
09A	414087	STAND COMP., SIDE	1	675285→	
10	GA551NT03	NUT	1		
11	GA551SC04	BOLT	1		

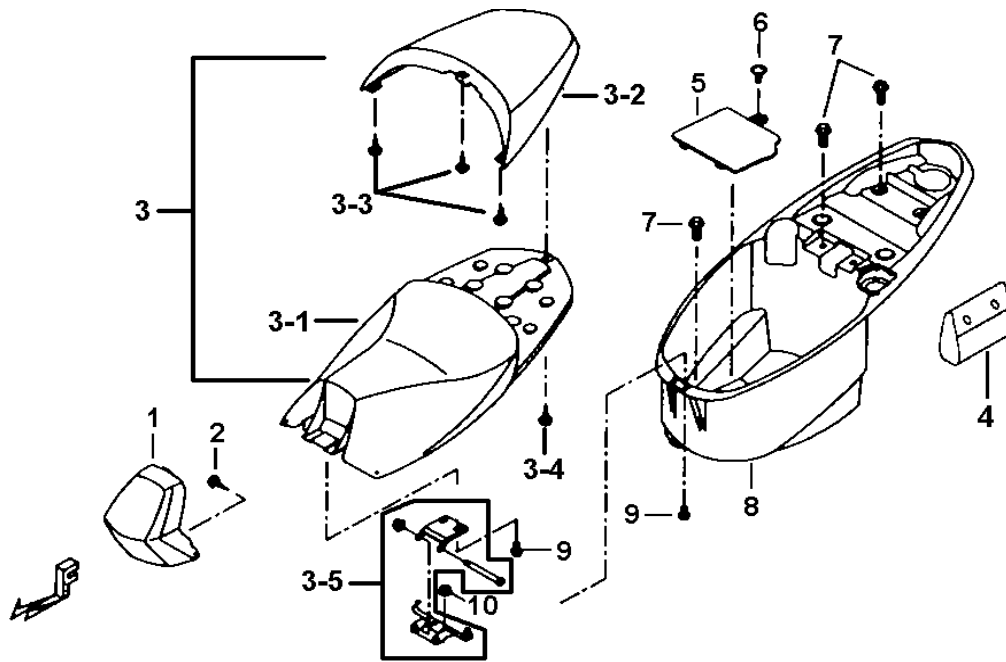


ITEM	PART NO	DESCRIPTION	Q'TY	AMEND	NOTE
01	412124	TANK, FUEL	1		
02	GA555SC05	BOLT, OUTLET M6X1.0X16L	4		
03	414129	GAUGE ASSY., FUEL LEVEL	1		
03-1	414034	GASKET	1		
04	S45502	SCREW , OVAL HEAD	4		
05	412133	CAP COMP., FILLER	1		
06	R36801	CLIP □8.5	6		
07	BH121PP01	HOSE, NEGATIVE PRESSURE	1		
08	412131	HOSE	1		
09	GA553SR04	CLIP□7.5	2		
10	412132	HOSE	1		
11	GA5539902	COCK ASSY., FUEL	1		
12	GA553SC01	BOLT, FLANGE M6X1.0X16L	1		
13	412112	HOSE, NEGATIVE PRESSURE #6	1		
14	412134	SPRING 160L	1		
15	R36901	CLIP	2		
16	412182	FILTER, FUEL	1		
17	412103	HOSE #2	1		
18	412120	HARNESS, EARTH	1	←693920	
19	412135	SPRING 250L	1		

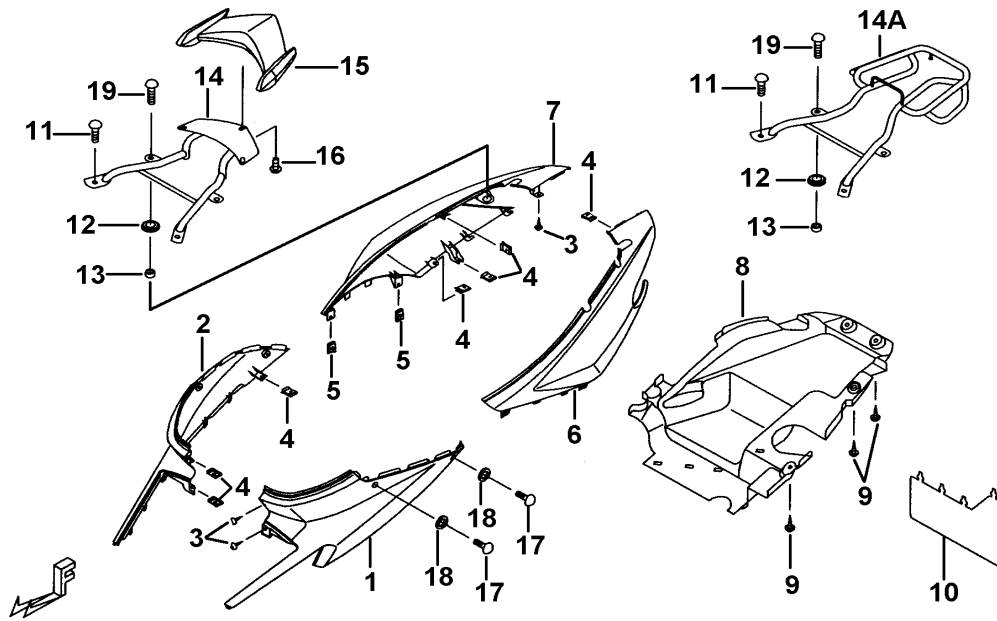


ITEM	PART NO	DESCRIPTION	Q'TY	AMEND	NOTE
01	412202	TANK, OIL COMP.	1		
01-1	BH1229901	SWITCH ASSY., OIL LEVEL	1		
02	GA553RB05	CAP, OIL TANK	1		
03	GA551SC09	BOLT, FLANGE M6X20	2		
04	425049	CLEANER COMP., OIL	1	←629154	
04-1	425046	HOSE	1	←629154	
04-1A	425057	HOSE	1	629155→	
04-2	425005	CLEANER ASSY., OIL	1		
04-3	425050	HOSE	1		
04-4	R36802	CLIP	3		
04-5	R50901	CLIP □9.5	1		
04A	425054	CLEANER COMP., OIL	1	629155→	
05	GA553RB04	RUBBER, OIL TANK INLET	1		

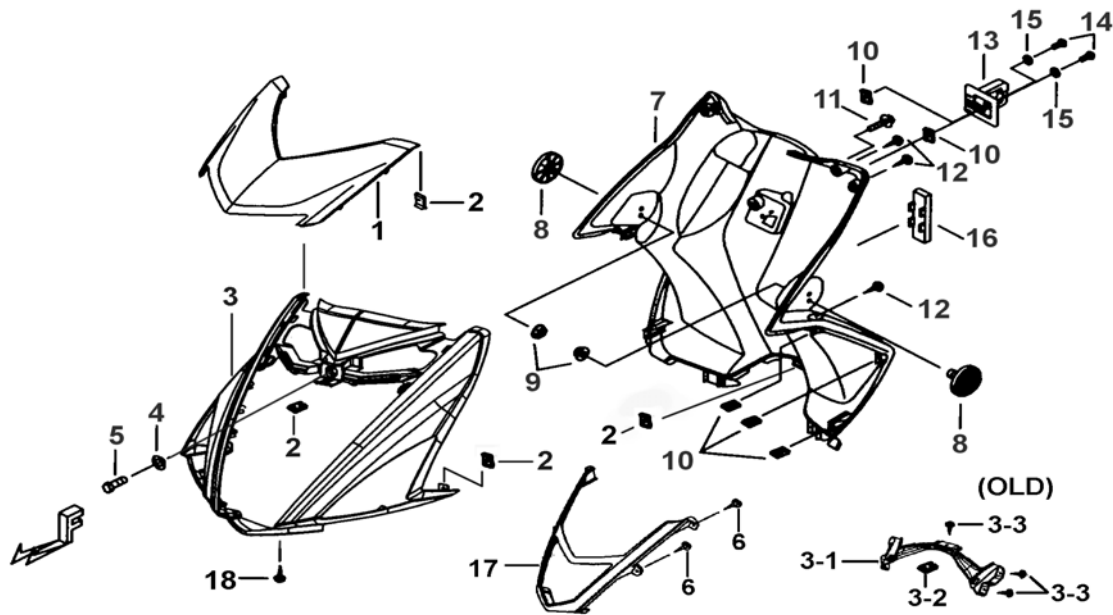




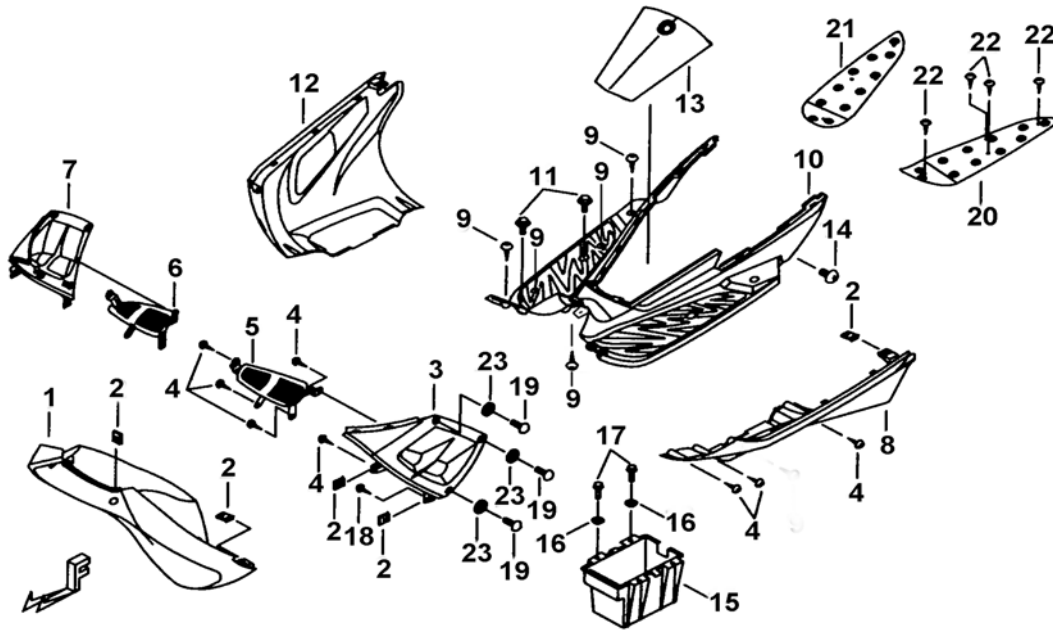
ITEM	PART NO	DESCRIPTION	Q'TY	AMEND	NOTE
01	452051	COVER, SEAT, FRONT	1		OPTION
02	S50401	SCREW TAPPING M4X12	2		
03	452100	SEAT SET	1		
03-1	452059	FRONT SEAT	1		
03-2	452055	REAR SEAT	1		
03-2A	452057	COVER, SEAT, REAR	1		OPTION
03-3	GA552SC11	SCREW, TAPPING M4X16	3		
03-4	S50401	SCREW TAPPING M4X12	1		
03-5	452049	BRKT, SEAT	1		
04	421516	PACKAGE, TOOL	1		
05	452056	CAP, HELMET CASE	1		
06	S45603	SCREW, OVAL HEAD M6x10	1		
07	S25602	BOLT M6X16L	6		
08	452060	HELMET CASE	1		
09	GA555SC05	BOLT, OUTLET M6X1.0X16L	4		
10	N10603	NUT, SPRING M6	2		



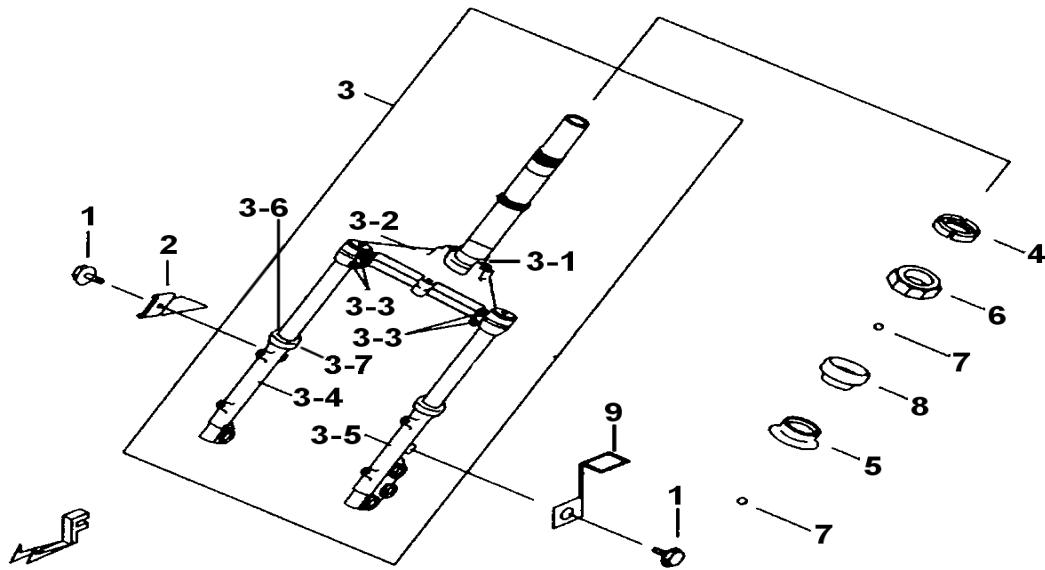
ITEM	PART NO	DESCRIPTION	Q'TY	AMEND	NOTE
01	453051	COVER, SIDE FRONT, LH.	1		
02	453052	COVER, SIDE FRONT, RH.	1		
03	S50401	SCREW TAPPING M4X12	3		
04	GA552NT01	NUT, SPRING M4	11		
05	N32501	NUT, SPRING M5	4		
06	453053	COVER, SIDE REAR, LH.	1		
07	453054	COVER, SIDE REAR, RH.	1		
08	453055	BOTTOM PLATE	1		
09	GA552SC11	SCREW, TAPPING M4X16	6		
10	453057	SPLASH APRON	1		
11	S20817	BOLT, FLANGE M8X16	2		
12	402129	WASHER, RUBBER	2		
13	412409	SPACER	2		
14	412408	HANGER, HANDLE	1		
14A	412407	REAR CARRIER	1		
15	453056	HANDLE	1		
16	S72605	BOLT, HEX HEAD M6X16 (Silver White)	3		
17	S72503	BOLT M5X16	4		
18	W99525	WASHER	4		
19	S20802	BOLT, FLANGE M8X30L	2		



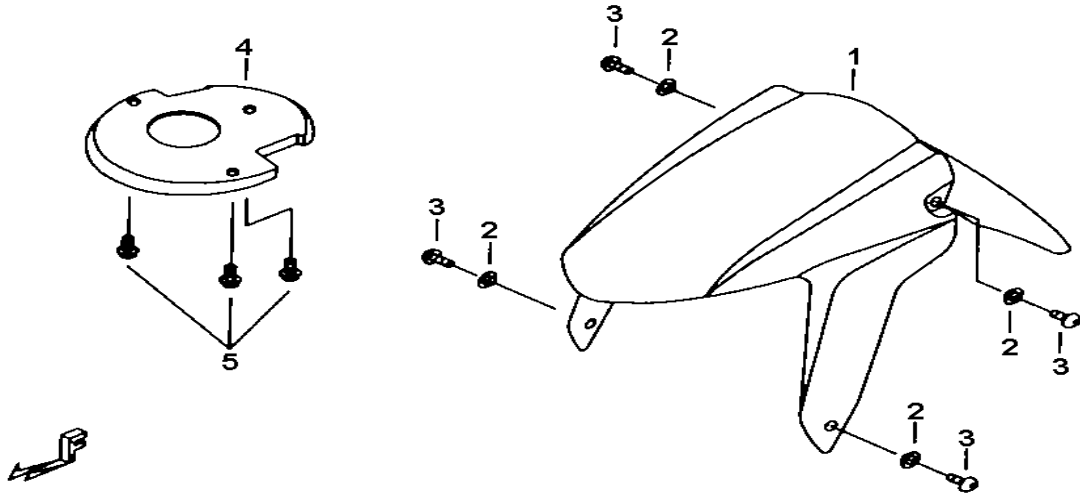
ITEM	PART NO	DESCRIPTION	Q'TY	AMEND	NOTE
01	454025	COVER, LEG SHIELD, FRONT	1	←691307	
01A	454039	COVER, LEG SHIELD, FRONT	1	691308→	
02	GA552NT01	NUT, SPRING M4	6		
03	454038A	LEG SHIELD, FRONT	1	←691307	
03-1	454041	BRACKET	1	←691307	
03-2	GA552NT01	NUT, SPRING M4	1	←691307	
03-3	S50401	SCREW TAPPING M4X12	5	←691307	
03A	454038	LEG SHIELD, FRONT	1	691308→	
04	GA556WS02	WASHER	1		
05	GA510SC03	SCREW, HEX. HEAD M6X16	1		
06	S50401	SCREW TAPPING M4X12	6		
07	454027	COVER SET, LEG SHIELD	1	←610028	
07A	454029	COVER SET, LEG SHIELD	1	610029→	
08	GF5189903	REFLECTOR ASSY., SIDE	2		
09	GA554NT04	NUT, FLANGE M6xP1.0	2		
10	N32501	NUT, SPRING M5	8		
11	S25602	BOLT M6X16L	1		
12	GA552SC11	SCREW, TAPPING M4X16	6		
13	454028	HOOK LUGGAGE	1		
14	S72503	BOLT M5X16	2		
15	W99525	WASHER	2		
16	BH125PL04	COVER SET, LEG SHIELD, SMALL	1		
17	454040	ORNAMENTAL COVER	1	691308→	
18	GA552SC11	SCREW, TAPPING M4X16	2		



ITEM	PART NO	DESCRIPTION	Q'TY	AMEND	NOTE
01	455030	COVER, LOWER	1		
02	GA552NT01	NUT, SPRING M4	14		
03	455031	LEG SHIELD, SIDE LH.	1		
04	S50401	SCREW TAPPING M4X12	13		
05	455038	PLATE, AIR INLET, LH.	1		OPTION
06	455039	PLATE, AIR INLET, RH.	1		OPTION
07	455032	LEG SHIELD, SIDE RH.	1		
08	455034	LEG SHIELD, LOWER, LH.	1	←610028	
08A	455046	LEG SHIELD, LOWER, LH.	1	610029→	
09	GA552SC11	SCREW, TAPPING M4X16	11		
10	455033	LEG SHIELD, REAR	1	←610028	
10A	455045	LEG SHIELD, REAR	1	610029→	
11	S25602	BOLT M6X16L	4		
12	455035	LEG SHIELD, LOWER, RH.	1	←610028	
12A	455047	LEG SHIELD, LOWER, RH.	1	610029→	
13	455037	LID, BATTERY	1		
14	GA555SC02	SCREW, AN HEAD	2		
15	455036	BATTERY BOX	1		
16	GA556WS02	WASHER	4		
17	GA555SC05	BOLT, OUTLET M6X1.0X16L	4		
18	S50402	SCREW, TAPPING M4X10	2		
19	S72504	BOLT M5X20	6		
20	455040	MAT, LH.(AL)	1		
21	455041	MAT RH. (AL)	1		
22	S50407	SCREW, TAPPING M4X12	8		
23	W99525	WASHER	6		



ITEM	PART NO	DESCRIPTION	Q'TY	AMEND	NOTE
01	GA556SC01	BOLT, FLANGE M6X1.0X12L	2		
02	GI527PS02	BRKT, CABLE, SPEEDOMETER	1		
03	412704E	FRONT FORK, WITH EMBLEM	1		
03-1	GF527PS01	RACE, STEERING, OVTER, LOWER	1		
03-2	401970	CENTREL BAR ASSY.	1		
03-3	S20004	BOLT,FLANGE M10X30	4		
03-4	412705E	FORK COMP., FRONT RH.	1		
03-4A	412705	FORK COMP., FRONT RH.	1		OPTION
03-5	412706E	FORK COMP., FRONT LH.	1		
03-5A	412706	FORK COMP., FRONT LH.	1		OPTION
03-6	401876	SEAL, OIL	2		
03-7	402117	DUST GUARD COVER	2		
03A	412704	FORK COMP., FRONT	1		OPTION
04	GA556NT01	NUT, SLOTTED	1		
05	GF527PS02	RACE, STEERING INNER, LOWER	1		
06	GA556PS03	RACE, STEERING, INNER, UPPER	1		
07	GA556FE01	BALL	55		
08	GA556PS04	RACE, STEERING, INNER	1		
09	412716	BRKT, BRAKE HOSE	1		

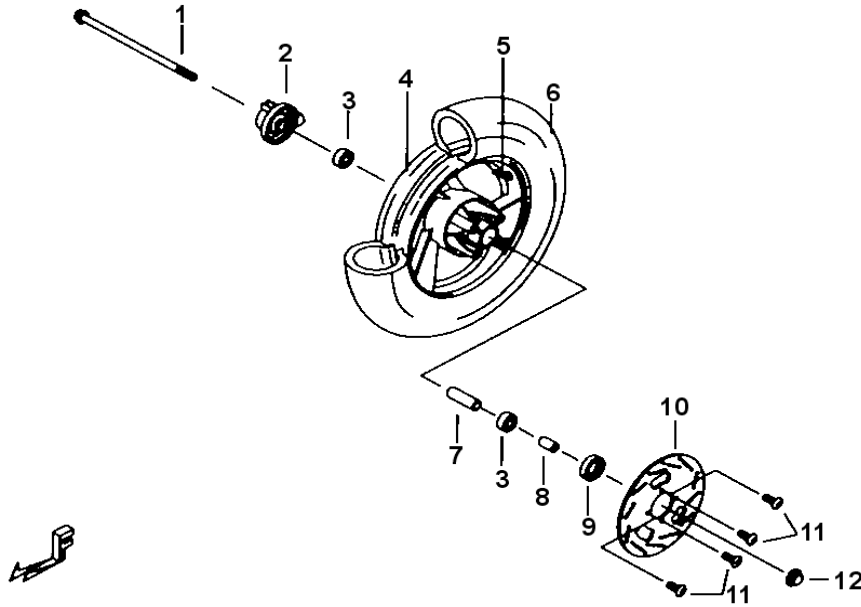


ITEM	PART NO	DESCRIPTION	Q'TY	AMEND	NOTE
01	456010	FRONT FENDER	1		OPTION
02	GA556WS02	WASHER	4		
03	GA555SC03	SCREW, PAN HEAD M6X16	4		
04	456011	FENDER, FIXED, FRONT	1		
05	GA556SC01	BOLT, FLANGE M6X1.0X12L	3		

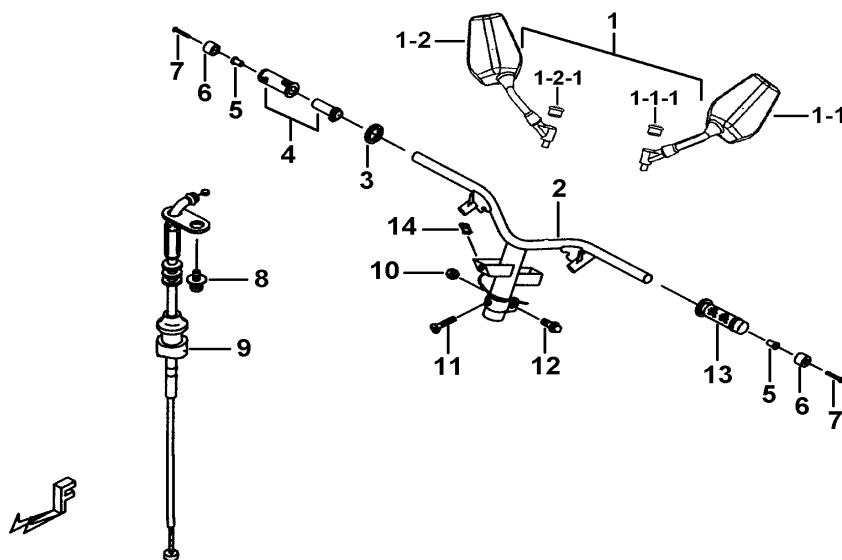
29

## FRONT WHEEL

BM1

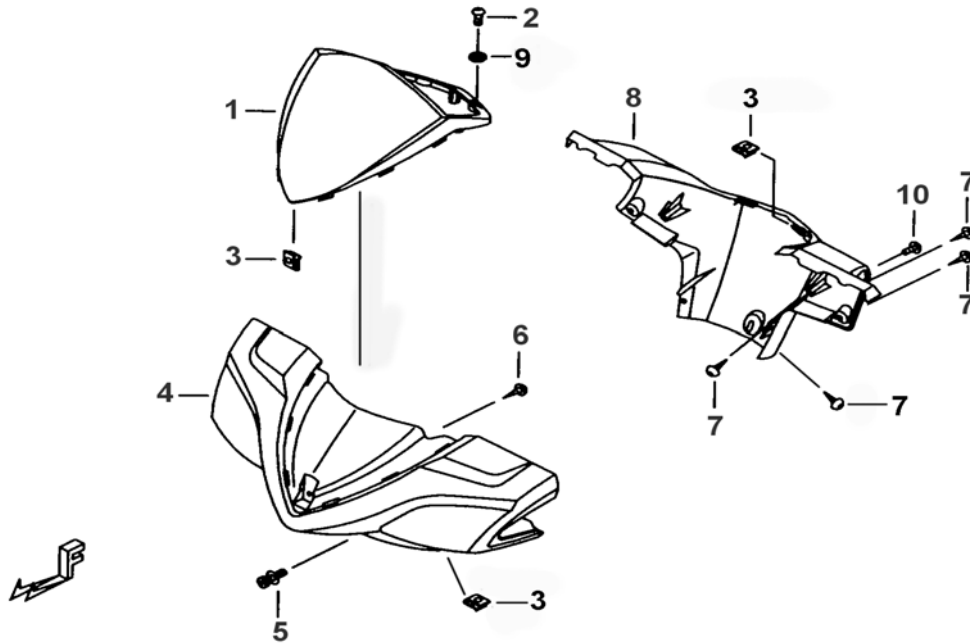


ITEM	PART NO	DESCRIPTION	Q'TY	AMEND	NOTE
01	GI529FE01	SHAFT, FRONT WHEEL 12X218	1		
02	412961	GEAR COMP., SPEEDOMETER	1		
03	GI529BR01YT	BEARING 12X32X10	2		
04	412927YPA	RIM COMP. 3.5-13 (AL)(BLACK)	1		OPTION
04A	412927BYPA	RIM COMP. 3.5-13 (AL)(BLACK)( RED LINE)	1		OPTION
04B	412927YSG	RIM COMP. 3.5-13 (AL)(SILVER)	1		OPTION
05	GF5299901	INLET COMP., AIR	1		
06	412900-S	TIRE 130/60-13	1		
07	401792	COLLAR SET	1		
08	GI529BS01	COLLAR	1		
09	GI529OS01	OIL SEAL 18X35X7	1		
10	412960Y	WAVE BRAKE DISC 220mm	1		
10A	410200Y	DISC, BRAKE 220mm	1		OPTION
11	GA558SC02	BOLT M8X1.25X15L	4		
12	N25201	NUT, SELFLOCK M12X1.25	1		



ITEM	PART NO	DESCRIPTION	Q'TY	AMEND	NOTE
01	413063	MIRROR ASSY., REAR VIEW	1		
01-1	410152	MIRROR, REAR VIEW, LH.	1	-635001	
01-1-1	414084	PLUG	1		
01-1A	414006	MIRROR, REAR VIEW, LH.	1	635002→	
01-2	410153	MIRROR, REAR VIEW, RH.	1	-635001	
01-2-1	414084	PLUG	1		
01-2A	414007	MIRROR, REAR VIEW, RH.	1	635002→	
02	417023	HANDLE BAR ASSY.	1		
03	413912	SEAL	1		
04	413031	GRIP ASSY., RH.	1		
05	401801	COLLAR	2		
06	401802	END, GRIP	2		
06A	413024	END, GRIP (CHROMIUM PLATED)	2		
07	S35601	SCREW, FLAT HEAD	2		
07A	S35604	SCREW, FLAT HEAD (CHROMIUM PLATED)	2		
08	GA557SC12	SCREW, PAN HEAD M5X10	1		
09	413058	CABLE, THROTTLE	1	-629154	
09A	417005	CABLE, THROTTLE	1	629155→	
10	GA551NT01	NUT, SELFLOCK M10X1.25	1		
11	GA557SC02	SCREW, FLAT HEAD M8X35	1		
12	GA557SC01	BOLT, FLANGE M10X43	1		
13	401827	GRIP	1		
14	N32501	NUT, SPRING M5	1		



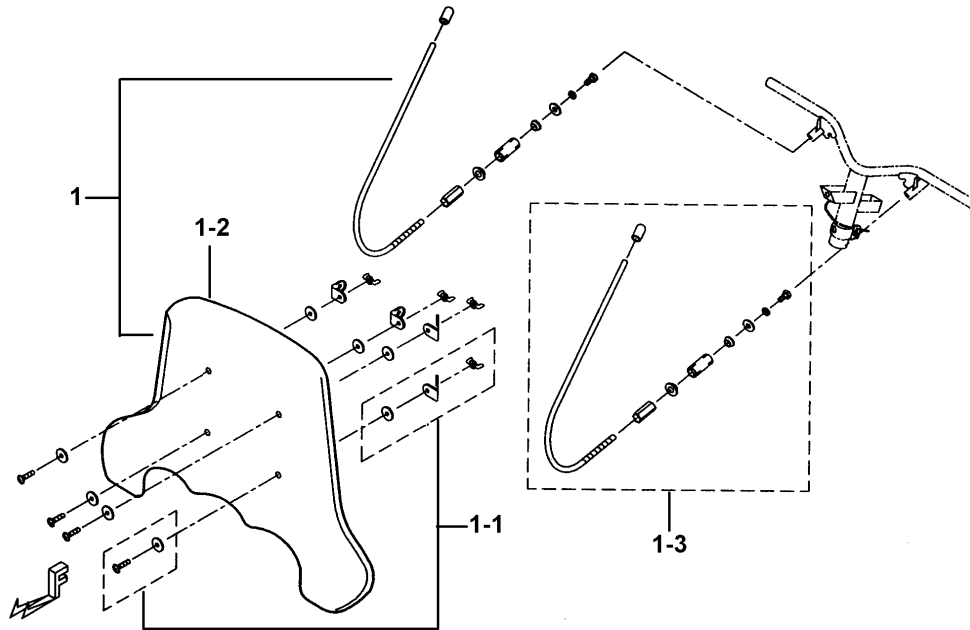


ITEM	PART NO	DESCRIPTION	Q'TY	AMEND	NOTE
01	457109	COVER, HANDLE BAR, UPPER	1	←691307	
01A	457165	COVER, HANDLE BAR, UPPER	1	691308→	
02	S50406	SCREW, TAPPING M4X16	2	←691307	
02A	S51405	SCREW TAPPING	2	691308→	
03	GA552NT01	NUT, SPRING M4	8		
04	457110	COVER, HANDLE BAR, FRONT	1	←611214	
04A	457127	COVER, HANDLE BAR, FRONT	1	611215→	
05	GA510SC10	SCREW, HEX. HEAD M5X20	1		
06	S50401	SCREW TAPPING M4X12	1		
07	GA552SC11	SCREW, TAPPING M4X16	8		
08	457111	COVER, HANDLE BAR, REAR	1	←611214	
08A	457128	COVER, HANDLE BAR, REAR	1	611215→	
09	W99435	WASHER	2	←691307	
09A	W99406	WASHER	2	691308→	
10	GA552SC06	BOLT, OVAL HEAD 5X12	1		

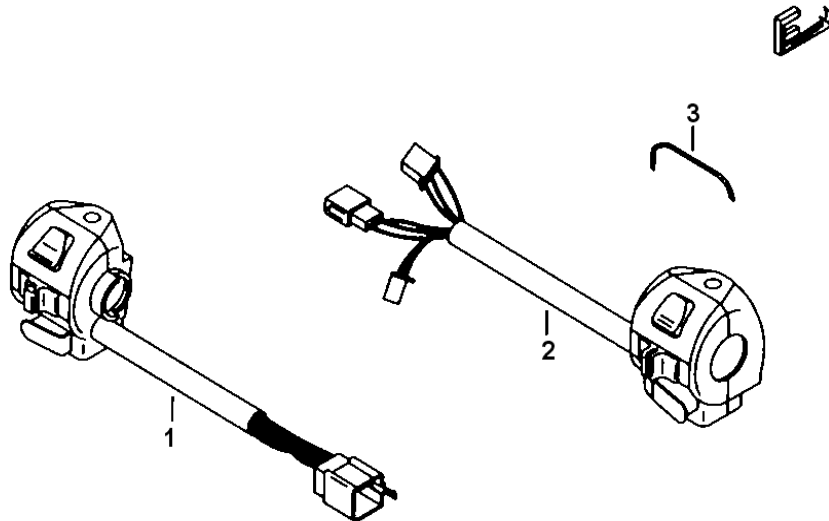
3101

## WIND-SHIELD ASSY.(OPTION)

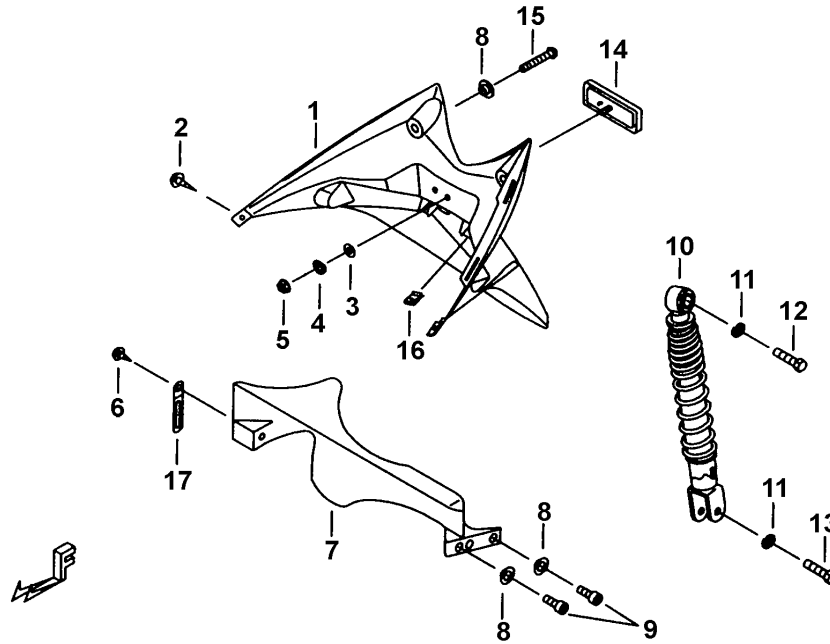
BM1



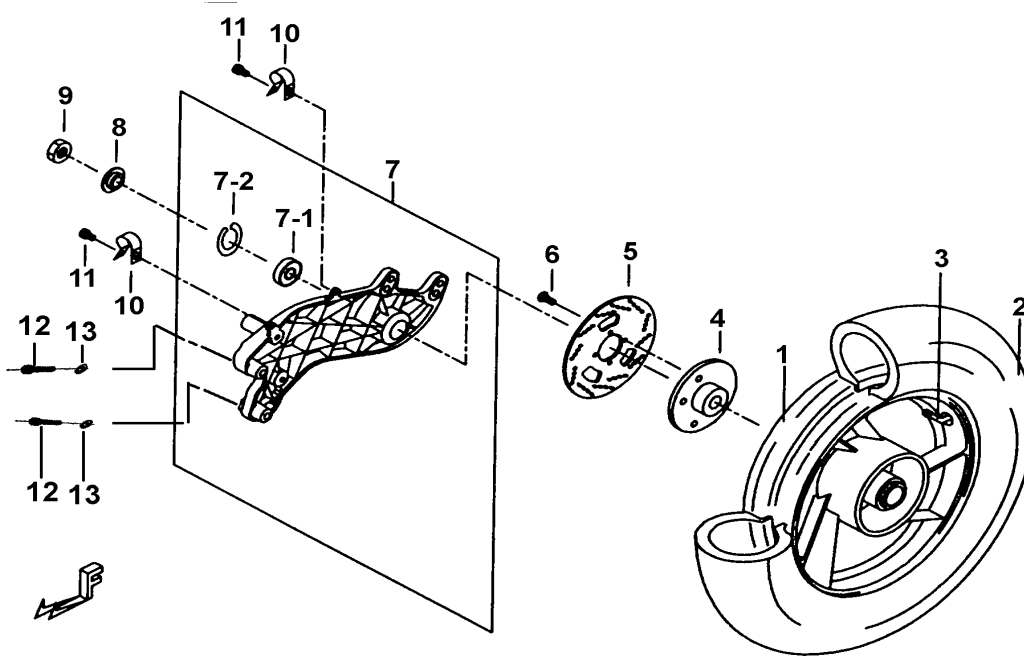
ITEM	PART NO	DESCRIPTION	Q'TY	AMEND	NOTE
01	413997	WIND SHIELD ASSY.	1		
01-1	457046	BOLT SET	4		
01-2	457029	WIND-SHIELD	1		
01-3	413061A	FIXED ROD SET	2		



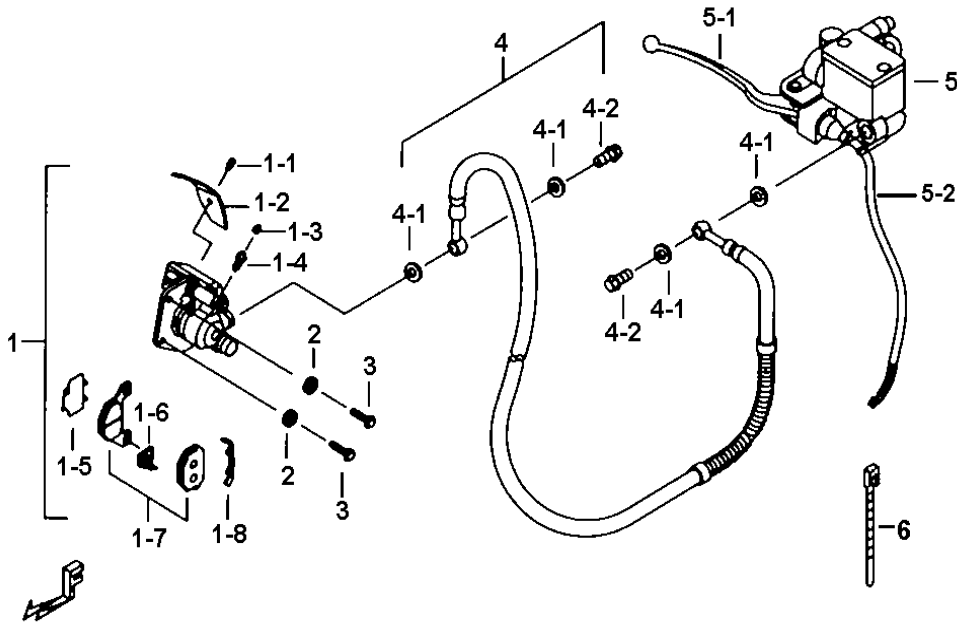
ITEM	PART NO	DESCRIPTION	Q'TY	AMEND	NOTE
01	413228	SWITCH ASSY., HANDLE, LH.	1	←689495	
01A	413239	SWITCH ASSY., HANDLE, LH.	1	689496→	
02	413229	SWITCH ASSY., HANDLE, RH.	1	←689495	
02A	413240	SWITCH ASSY., HANDLE, RH.	1	689496→	
03	413911	WASHER	1		



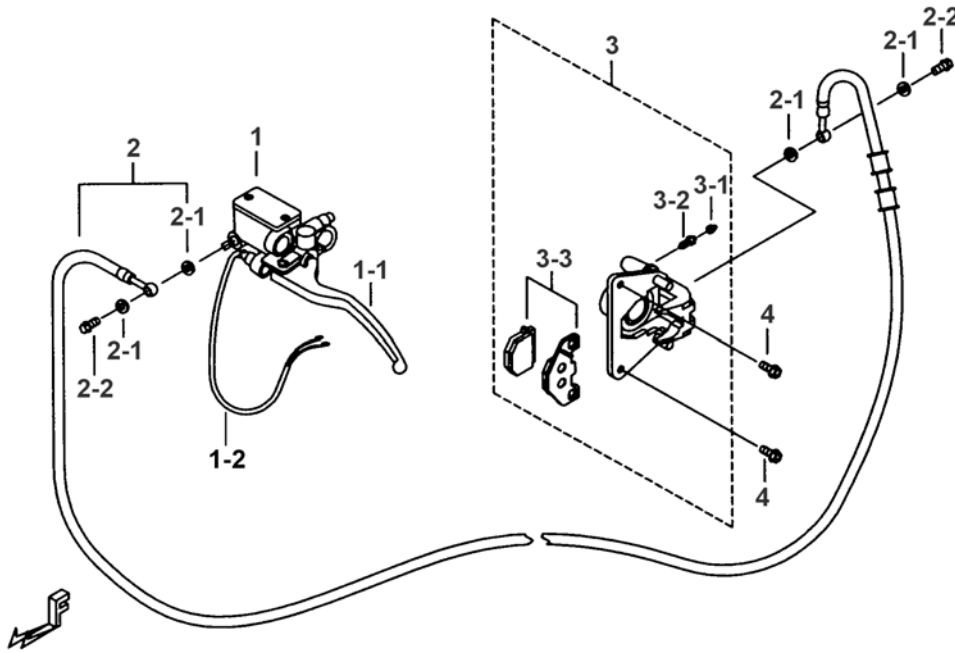
ITEM	PART NO	DESCRIPTION	Q'TY	AMEND	NOTE
01	458020	FENDER, REAR	1		
02	GA552SC11	SCREW, TAPPING M4X16	2		
03	GA552WS05	WASHER 5.2X10X0.8	1		
04	W10501	SPRING WASHER	1		
05	GA552NT05	NUT, FLANGE M5	1		
06	S50506	SCREW, TAPPING	1		
07	458004	SPLASH BOARD	1		
08	GA556WS02	WASHER	4		
09	S70609	SCREW, SOCKET HEAD M6x16	2		
10	410158	ABSORBER ASSY., SHOCK, REAR	1		
11	GA556WS06	WASHER, SPRING 10.2X3.7X2.5t	2		
12	S20052	BOLT, FLANGE M10X1.25X40L	1		
13	GA556SC04	BOLT, HEX. HEAD 10X34	1		
14	GF5189902	REFLECTOR ASSY., REAR	1		
15	S70618	BOLT M6X35	2		
16	GA552NT01	NUT, SPRING M4	2		
17	GA501SR01	CLAMP	1		



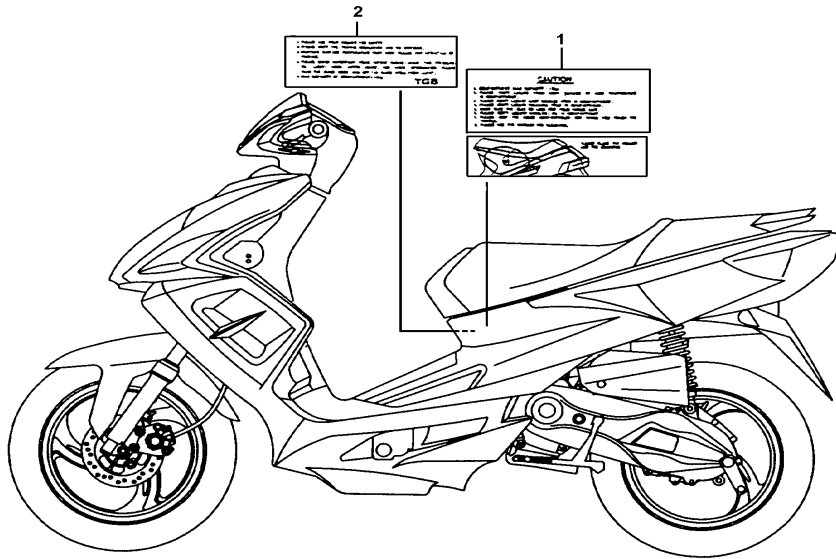
ITEM	PART NO	DESCRIPTION	Q'TY	AMEND	NOTE
01	413400YPA	RIM COMP. 3.5-13 (AL)(BLACK)	1		OPTION
01A	413400BYPA	RIM COMP. 3.5-13 (AL)(BLACK)(RED LINE)	1		OPTION
01B	413400YSG	RIM COMP. 3.5-13(AL)(SILVER)	1		OPTION
02	412900-S	TIRE 130/60-13	1		
03	GF5299901	INLET COMP., AIR	1		
04	413416	BASE, BRAKE	1		
05	412960Y	WAVE BRAKE DISC 220mm	1		
05A	410200Y	DISC, BRAKE 220mm	1		OPTION
06	S72001	SCREW, SOCKET	4		
07	413415	REAR FORK ASSY.	1		
07-1	412918	BEARING	1		
07-2	R01001	RETAINER RING, C TYPE	1		
08	412921	COLLAR	1		
09	GA558NT03	NUT, SELFLOCK M16X14	1		
10	413417	CLAMP	2		
11	S20603	BOLT, FLANGE M6X12	2		
12	S70003	SCREW, HEX. SCCKET	2		
13	GA556WS06	WASHER, SPRING 10.2X3.7X2.5t	2		



ITEM	PART NO	DESCRIPTION	Q'TY	AMEND	NOTE
01	413602RD	CALLIPER(REDD)	1		
01-1	S43501	BOLT	1		
01-2	413607	DUST COVER	1		
01-3	GA559RB01	CAP, GUARD	1		
01-4	GA559SC01	BOLT, FLANGE	1		
01-5	413608	PLATE, WASHER	1		
01-6	413609	SPRING PLATE	1		
01-7	515364	PAD ASSY.	1		
01-8	413611	SPRING PLATE	1		
02	W99805	WASHER	2		
03	GA558SC03	BOLT, HEX. HEAD M8X35	2		
04	413627	HOSE ASSY., FRONT BRAKE	1		
04-1	GA559WS04	WASHER, 10.2X15X1.2t	4		
04-2	S21001	OIL BOLT M10X1.25X22L	2		
05	413625	MASTER CYLINDER	1		OPTION
05-1	401020	LEVER, HANDLE BAR	1		OPTION
05-1A	401020SW	LEVER, HANDLE BAR(SILVER)	1		OPTION
05-1B	401020C	LEVER, HANDLE BAR(CHROME)	1		OPTION
05-2	414039	LIMITED SWITCH ASSY.	1		
05A	413625SW	MASTER CYLINDER(SILVER)	1		OPTION
05B	413625C	MASTER CYLINDER(CHROME)	1		OPTION
06	GA510SR01	CLAMP L150	1		



ITEM	PART NO	DESCRIPTION	Q'TY	AMEND	NOTE
01	413502	MASTER CYLINDER	1		OPTION
01-1	401020	LEVER, HANDLE BAR	1		
01-1A	401020SW	LEVER, HANDLE BAR(SILVER WHITE)	1		OPTION
01-1B	401020C	LEVER, HANDLE BAR(CHROME)	1		OPTION
01-2	414039	LIMITED SWITCH ASSY.	1		
01A	413502SW	MASTER CYLINDER(SILVER WHITE)	1		OPTION
01B	413502C	MASTER CYLINDER(CHROME)	1		OPTION
02	413501	HOSE ASSY., REAR BRAKE	1		
02-1	GA559WS04	WASHER, 10.2X15X1.2t	4		
02-2	S21001	OIL BOLT M10X1.25X22L	2		
03	413500	CALLIPER(REAR)(RED)	1		
03-1	GA559RB01	CAP, GUARD	1		
03-2	GA559SC01	BOLT, FLANGE	1		
03-3	GF5359902	PAD ASSY.	1		
04	S20814	BOLT, FLANGE M8X1.25X20L	2		



ITEM	PART NO	DESCRIPTION	Q'TY	AMEND	NOTE
01	GF523TH05	LABEL, LUGGAGE BOX	1		
02	459157	LABEL, WARNING	1		