

# R125X

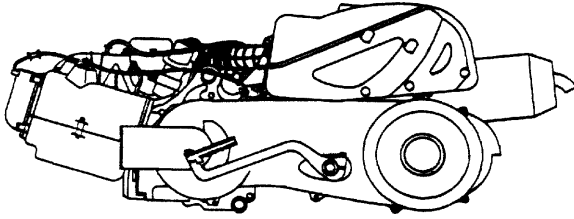
*To return to this index click on main picture*

<b>Section</b>	<b>Description</b>
0	<a href="#"><u>Engine</u></a>
1	<a href="#"><u>Cylinder Head, Cylinder Set, Valve</u></a>
2	<a href="#"><u>Crankcase</u></a>
3	<a href="#"><u>Crankshaft, Piston, Camshaft</u></a>
4	<a href="#"><u>Carburettor</u></a>
5	<a href="#"><u>Oil Pump, Chain Tensioner</u></a>
6	<a href="#"><u>CVT</u></a>
7	<a href="#"><u>Cover, Crankcase, R/H</u></a>
8	<a href="#"><u>Cooling Fan, Shroud, Cyl Head Cover</u></a>
9	<a href="#"><u>Air Cleaner, Exhaust</u></a>
10	<a href="#"><u>Gear Box Cover, Reducing Gear</u></a>
11	<a href="#"><u>Kick Starter, Clutch Cover</u></a>
12	<a href="#"><u>Starter Motor</u></a>
13	<a href="#"><u>Flywheel, Magneto, Ignition Coil</u></a>
14	<a href="#"><u>Battery, Horn, Relay, Rectifier</u></a>
15	<a href="#"><u>Wiring Harness, Lock Set</u></a>
16	<a href="#"><u>Speedometer</u></a>
17	<a href="#"><u>Head Lamp, Front Indicators</u></a>
18	<a href="#"><u>Rear Lamps</u></a>
19	<a href="#"><u>Frame</u></a>
20	<a href="#"><u>Stand</u></a>
21	<a href="#"><u>Fuel Tank</u></a>
22	<a href="#"><u>Calliper, Master Cylinder(Rear)</u></a>
23	<a href="#"><u>Seat</u></a>
24	<a href="#"><u>Additions of Side Cover</u></a>
25	<a href="#"><u>Front Leg Shield</u></a>
26	<a href="#"><u>Rear Leg Shield</u></a>
27	<a href="#"><u>Front Fork</u></a>
28	<a href="#"><u>Front Fender</u></a>
29	<a href="#"><u>Front Wheel, Disc</u></a>
30	<a href="#"><u>Handle Bar</u></a>
31	<a href="#"><u>Handle Bar Cover</u></a>
31-01	<a href="#"><u>Windscreen</u></a>
32	<a href="#"><u>Handle Bar Switches</u></a>
33	<a href="#"><u>Rear Fender</u></a>
34	<a href="#"><u>Rear Wheel</u></a>
35	<a href="#"><u>Calliper, Master Cylinder (Front)</u></a>
36	<a href="#"><u>Labels</u></a>

0

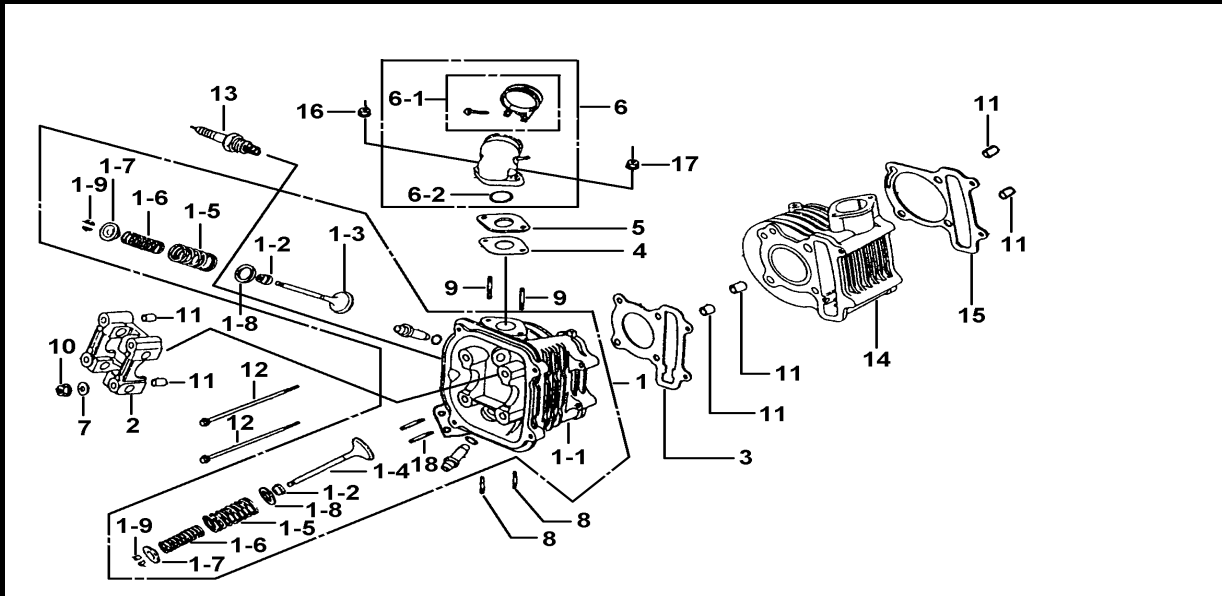
ENGINE ASSY.

BM8

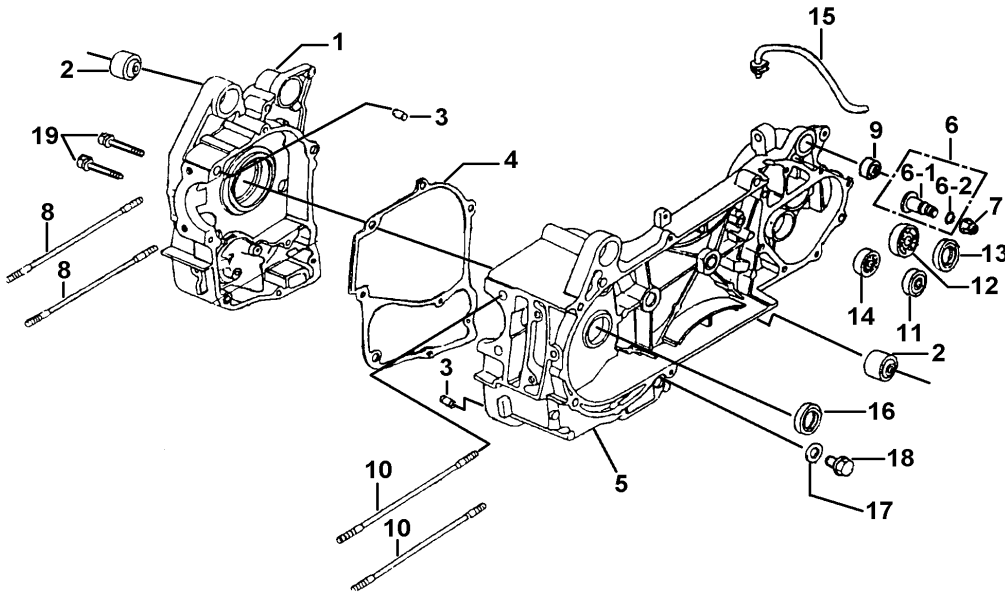


ITEM	PART NO	DESCRIPTION	Q'TY	AMEND	NOTE
01	GL8500340U	ENGINE ASSY.(EURO 3)	1		

1	<b>CYLINDER HEAD, CYLINDER SET., VALVE</b>	<b>BM8</b>
---	--	------------



ITEM	PART NO	DESCRIPTION	Q'TY	AMEND	NOTE
01	400457	CYLINDER HEAD ASSY.	1		
01-1	400442	HEAD, CYLINDER	1		
01-2	400066	SEAL, VALVE STEM	2		
01-3	400087	VALVE, INLET	1		
01-4	400088	VALVE, OUTLET	1		
01-5	400089	SPRING, VALVE, OUTER	2		
01-6	400090	SPRING, VALVE, INNER	2		
01-7	400091	RETAINER, VALVE	2		
01-8	400092	SEAT, VALVE SPRING	2		
01-9	400093	COTTER, VALVE	4		
02	400008	HOLDER, CAMSHAFT	1		
03	400009	GASKET, CYLINDERHEAD	1		
04	400010	GASKET, INSULATOR	1		
05	400011	INSULATOR, CARBURETTOR	1		
06	400012	PIPE ASSY., INTAKE	1		
06-1	400017	CLAMP	1		
06-2	400019	O RING	1		
07	W99806	WASHER 8.5X16X2	4		
08	S96801	STUD M6X33	2		
09	S95603	STUD M6X50	2		
10	N10801	NUT, FLANGE 8mm	4		
11	P40001	PIN, DOWEL 10X16	6		
12	S24601	BOLT, FLANGE M6X100	2		
13	400020	SPARK PLUG (CR7HSA)	1		
14	400021	CYLINDER SET	1		
15	400024	GASKET, CYLINDER	1		
16	N10601	NUT, FLANGE 6mm	1		
17	GA504NT07	NUT, BREAKABLE	1		
18	S95602	STUD M6X18	2		

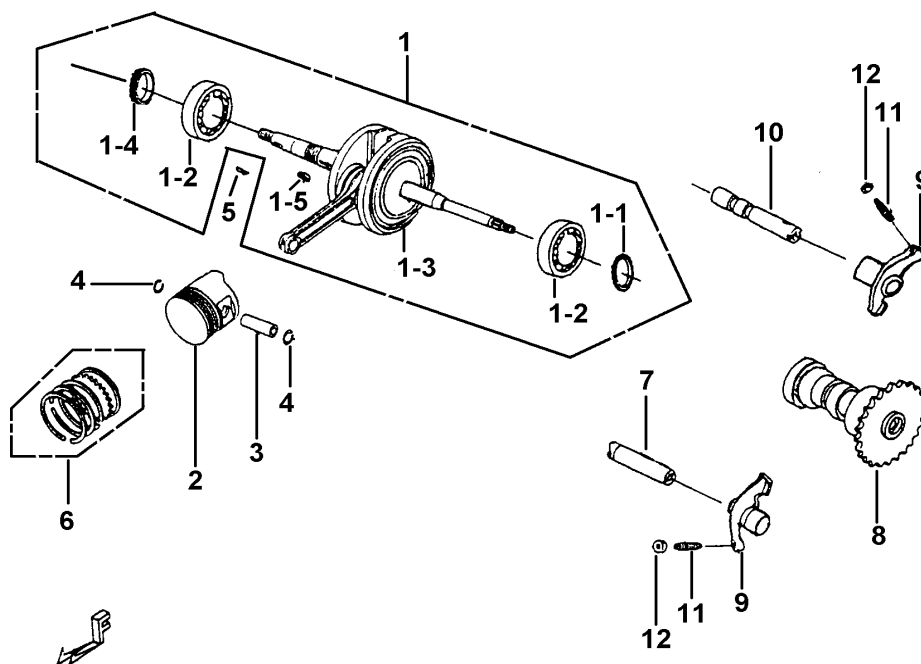


ITEM	PART NO	DESCRIPTION	Q'TY	AMEND	NOTE
01	400027	CRANK CASE COMP., RH.	1		
02	400026	BUSH COMP.	2		
03	P40802	PIN, DOWEL 8X14	2		
04	400031	GASKET, CRANKCASE	1		
05	422002	CRANKCASE COMP., LH.	1	←112095	
05-1	422034	CRANKCASE COMP., LH.	1	112096→	
06	422061	PIN ASSY.	1		
06-1	422062	PIN	1		
06-2	400036	O RING	1		
07	N25801	NUT, SELFLOCK M8	1		
08	S95801	STUB M8x187.5	2		
09	400038	BUSH COMP.	1		
10	S95802	STUB M8x195.5	2		
11	400039	BEARING CSB301JR2	1		
12	400040	BEARING 6004uu	1		
13	400041	OIL SEAL 27X42X7	1		
14	400042	BEARING 6002	1		
15	400043	TUBE SET, BREATHER	1		
16	400155	OIL SEAL 19.8X30X5	1		
17	W99201	WASHER 12mm	1		
18	S20201	BOLT,OUTLET 12mm	1		
19	S24602	BOLT, FLANGE M6X50	2		

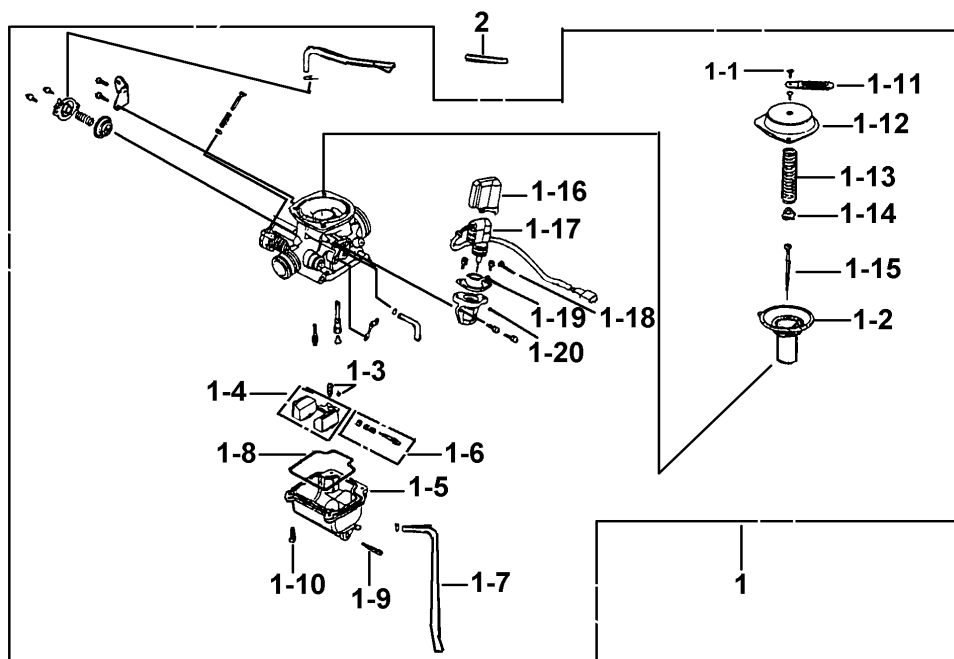
3

## CRANK SHAFT, PISTON, CAMSHAFT

BM8



ITEM	PART NO	DESCRIPTION	Q'TY	AMEND	NOTE
01	400367	CRANK SHAFT COMP.	1	←112095	
01-A	423063	CRANK SHAFT COMP.	1	112096→	
01-1	400048	SPROCKET, TIMING	1	←112095	
01-1A	423027	SPROCKET, TIMING	1	112096→	
01-2	400050	BEARING, CRANKSHAFT	2	←112095	
01-2A	400050	BEARING, CRANKSHAFT R/H	1	112096→	
01-2A	423025	BEARING, CRANKSHAFT L/H	1	112096→	
01-3	400047	CRANKSHAFT ASSY.	1		
01-4	400056	SPROCKET, OIL PUMP	1		
01-5	925234	KEY 25x14x4	1		
02	400057	PISTON	1		
03	400058	PIN, PISTON	1		
04	400059	CIRCLIP	2		
05	925234	KEY 25x14x4	1		
06	400061	RING SET, PISTON	1		
07	400086	SHAFT COMP., ROCKER, EX VALVE	1		
08	400069	CAMSHAFT ASSY.	1		
09	400084	ARM, ROCKER	2		
10	400085	SHAFT COMP., ROCKER, INLET VALVE	1		
11	S06501	BOLT, ADJUSTING	2		
12	N03501	NUT, HEX.	2		

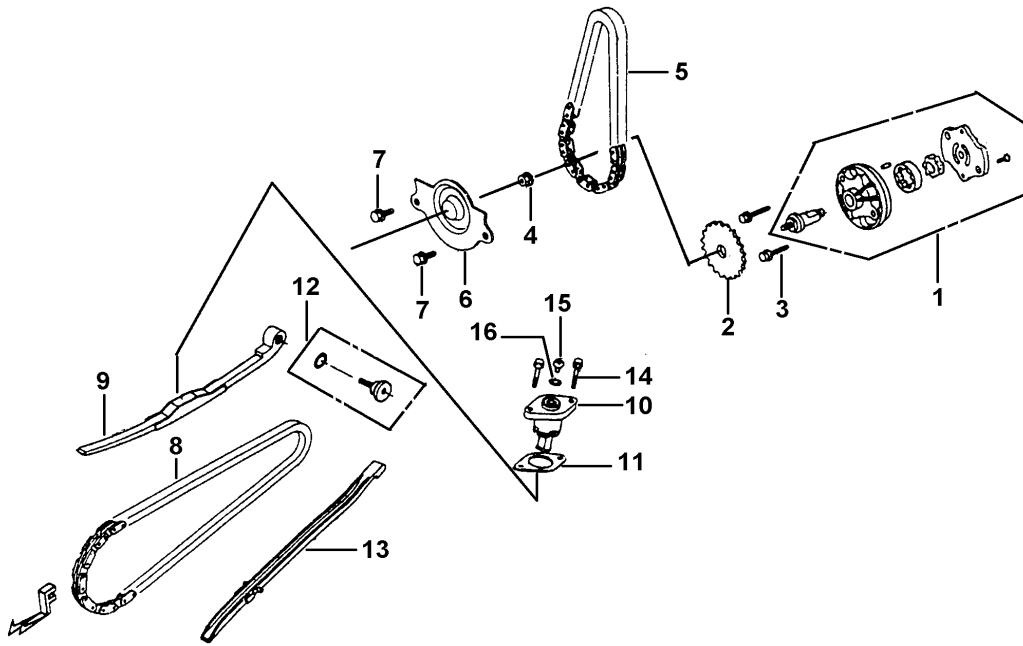


ITEM	PART NO	DESCRIPTION	Q'TY	AMEND	NOTE
01	400421	CARBURETTOR ASSY.	1		
01-1	S30401	SCREW, OVAL HEAD M4X8	4		
01-10	S30402	SCREW, OVAL HEAD M4X14	4		
01-11	424054	BINDER	1		
01-12	424055	TOP COMP.	1		
01-13	424056	SPRING	1		
01-14	424057	VALVE PLATE SET	1		
01-15	400423	NEEDLE SET. JET	1		
01-16	424059	CAP. HOLDER	1		
01-17	424060	VALVE SET. STARTER	1		
01-18	S30401	SCREW, OVAL HEAD M4X8	2		
01-19	424061	GASET, STARTER VALVE	1		
01-2	400422	PISTON COMP., VACUUM	1		
01-20	424062	STARTER VALVE SEAT	1		
01-3	400096	VALVE SET, FLOAT	1		
01-4	400098	FLOAT SET	1		
01-5	400099	CHAMBER SET, FLOAT	1		
01-6	400100	SCREW, AIR ADJUSTER	1		
01-7	400112	TUBE	1		
01-8	400404	GASKET SET	1		
01-9	400405	SCREW, OVAL HEAD	1		
02	400429	HOSE, NEGATIVE PRESSURE	1		

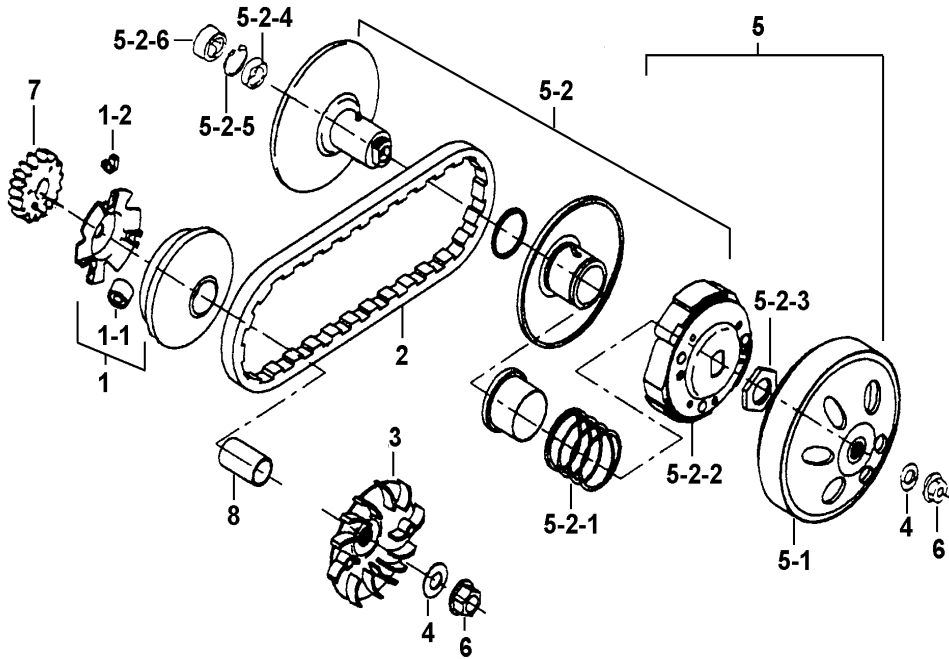
5

## OIL PUMP, CHAIN TENSIONER

BM8



ITEM	PART NO	DESCRIPTION	Q'TY	AMEND	NOTE
01	400119	PUMP ASSY., OIL	1		
02	400125	GEAR, DRIVING	1		
03	S24605	BOLT, FLANGE M6X25	2		
04	N10601	NUT, FLANGE 6mm	1		
05	400126	SPROCKET, DRIVING	1		
06	400129	DIVIDER, OIL	1		
07	S24604	BOLT, FLANGE M6X12	2		
08	400130	CHAIN, INNER, CAMSHAFT	1		
09	400131	TENSIONER, CHAIN	1		
10	400132	ADJUSTER, CHAIN	1		
11	400143	GASKET, ADJUSTER	1		
12	400144	BOLT, TENSIONER	1		
13	400145	GUIDE COMP. CHAIN	1		
14	S24606	BOLT, FLANGE M6X22	2		
15	S45602	SCREW, OVAL HEAD M6X6	1		
16	400147	O RING 9.5X1.5	1		



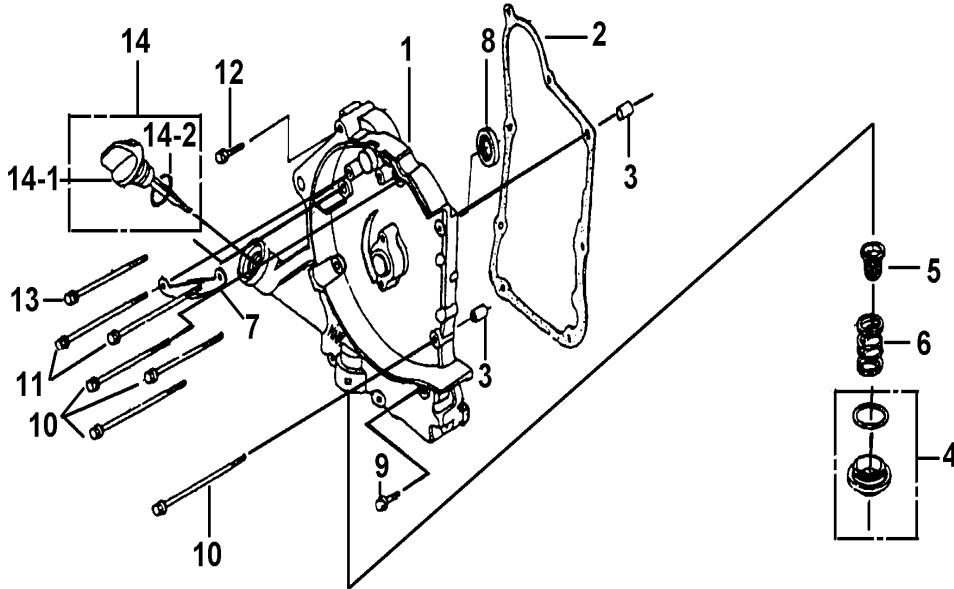
ITEM	PART NO	DESCRIPTION	Q'TY	AMEND	NOTE
01	490173	PULLEY COMP., DRIVE	1		
01-1	490252	ROLLER, MOVABLE DRIVE FACE	6		
01-2	490256	GUIDE, MOVABLE D/FACE PLATE	3		
02	490100	V-BELT, DRIVE	1		
03	490172	FACE, FIXED DRIVE	1		
04	W99204	WASHER 12.2X29X2.3t	2		
05	490810A	PULLEY COMP., DRIVEN	1		
05-1	490177	HOUSING COMP., CLUTCH	1		
05-2	490809A	PULLEY ASSY., DRIVEN	1		
05-2-1	490284	SPRING, MOVABLE DRIVEN FACE	1		
05-2-2	490808	CLUTCH ASSY., SHOE	1		
05-2-3	RT406NT01	NUT, HEX. M28X1.0	1		
05-2-4	428801	BEARING	1		
05-2-5	CTVG227001	CIR-CLIP	1		
05-2-6	82518R	NEEDLE BEARING	1		
06	N10202	NUT, FLANGE 12X8	2		
07	400333	GEAR, DRIVEN, STARTING 20T	1		
08	490174	SPACER	1		



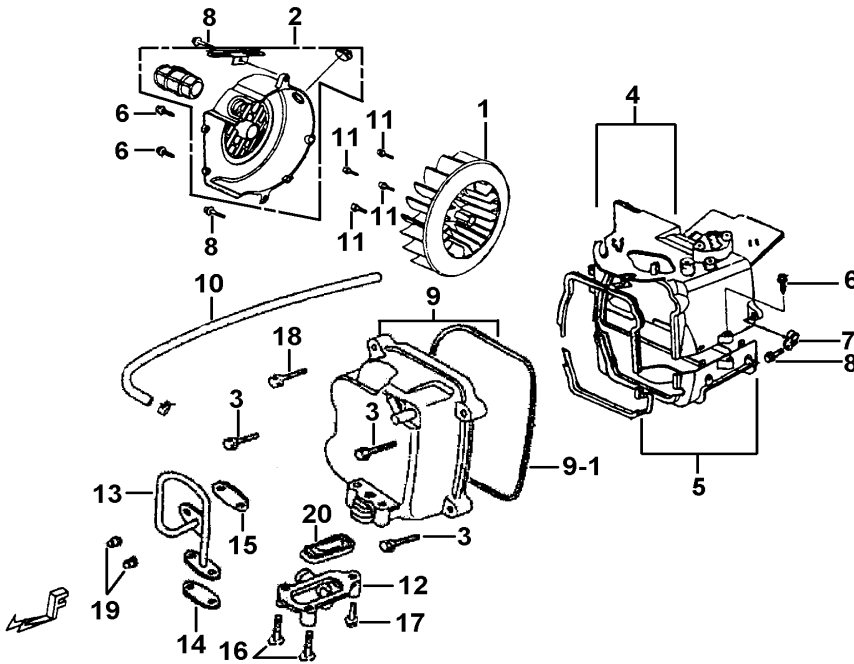
7

## COVER, CRANKCASE, RH.

BM8



ITEM	PART NO	DESCRIPTION	Q'TY	AMEND	NOTE
01	400149	COVER, CRANKCASE, RH.	1		
02	400150	GASKET, CRANKCASE COVER, RH.	1		
03	P40802	PIN, DOWEL 8X14	2		
04	400376	CAP SET, OIL FILTER	1		
05	400152	FILTER, OIL	1		
06	400153	SPRING, FILTER	1		
07	400154	CLAMP, A.C.G.CORD	1		
08	400155	OIL SEAL 19.8X30X5	1		
09	S24607	BOLT, FLANGE M6X32	1		
10	S24608	BOLT, FLANGE M6X95	4		
11	S24609	BOLT, FLANGE M6X110	2		
12	S24610	BOLT, FLANGE M6X40	1		
13	S24601	BOLT, FLANGE M6X100	1		
14	400157	OIL GAUGE, LEVEL ASSY.	1		
14-1	400158	OIL GAUGE, LEVEL	1		
14-2	400159	O RING 18X3	1		

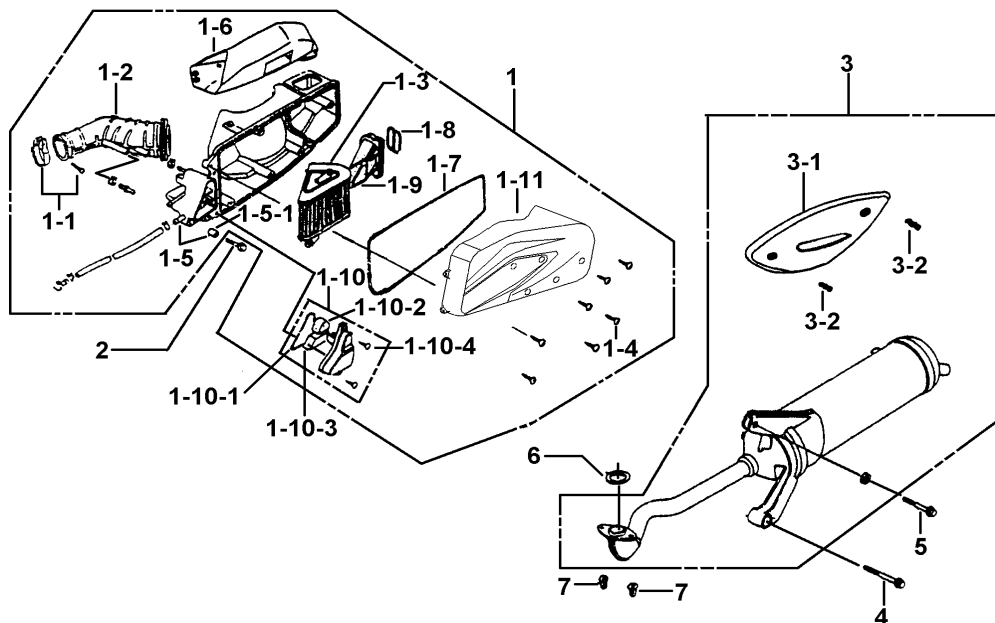


ITEM	PART NO	DESCRIPTION	Q'TY	AMEND	NOTE
01	400188	COOLING FAN	1		
02	400167	COVER SET, FAN	1		
03	S24614	BOLT, FLANGE	3		
04	400455	SHROUD SET B	1		
05	400454	SHROUD SET A	1		
06	S14502	BOLT, TAPPING	4		
07	400180	CLAMP, DRAIN TUBE	1		
08	S24605	BOLT, FLANGE M6X25	3		
09	400458	COVER COMP., CYLINDER HEAD	1		
09-1	400183	WASHER, CYLINDER HEAD	1		
10	427005	TUBE ASSY., BREATHER	1		
11	S24613	BOLT, FLANGE	4		
12	400445	COVER, REED VALVE	1		
13	400446	EXHAUST PIPE, BREATHE	1		
14	400447	GASKET	1		
15	400448	GASKET	1		
16	S24611	BOLT, FLANGE M6X40	2		
17	S24605	BOLT, FLANGE M6X25	1		
18	S24602	BOLT, FLANGE M6X50	1		
19	N12604	NUT	2		
20	400444	REED VALVE	1		

9

## AIR CLEANER, MUFFLER

BM8

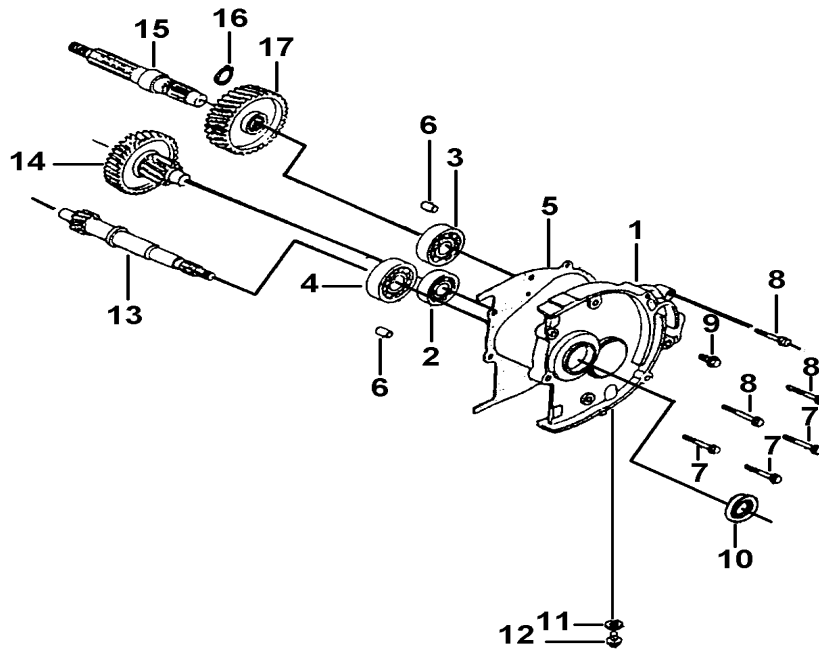


ITEM	PART NO	DESCRIPTION	Q'TY	AMEND	NOTE
01	420089	AIR CLEANER ASSY.	1		
01-1	400191	CLAMP	1		
01-10	400303	COVER ASSY. OIL CATCH	1		
01-11	420090	COVER AIR CLEANER	1		
01-2	420049	INLET TUBE	1		
01-3	400302	ELEMENT COMP.	1		
01-4	S45501	STUD M5X20	7		
01-5	400196	CASE AIR CLEANER	1		
01-5-1	400197	BUSH	2		
01-6	420067	DUCT AIR CLEANER CASE	1		
01-7	400199	SEAL AIR CLEANER COVER	1		
01-8	400200	SPRING IN DUCT	1		
01-9	400301	DUCT AIR CLEANER IN	1		
02	S24614	BOLT, FLANGE	2		
03	426217	BODY COMP., MUFFLER	1		
03-1	426223	PROTECTOR COMP. MUFFLER	1		
03-2	426224	SCREW SET	2		
04	S20809	BOLT, FLANGE M8X55	1		
05	S21814	BOLT M8X80L	1		
06	400317	WASHER, MUFFLER	1		
07	N12602	NUT	2		
1-10-1	400305	SEAL OIL CATCH	1		
1-10-2	400306	FILTER BREATHER	1		
1-10-3	400307	FILTER OIL CATCH	1		
1-10-4	S50402	SCREW, TAPPING M4X10	2		

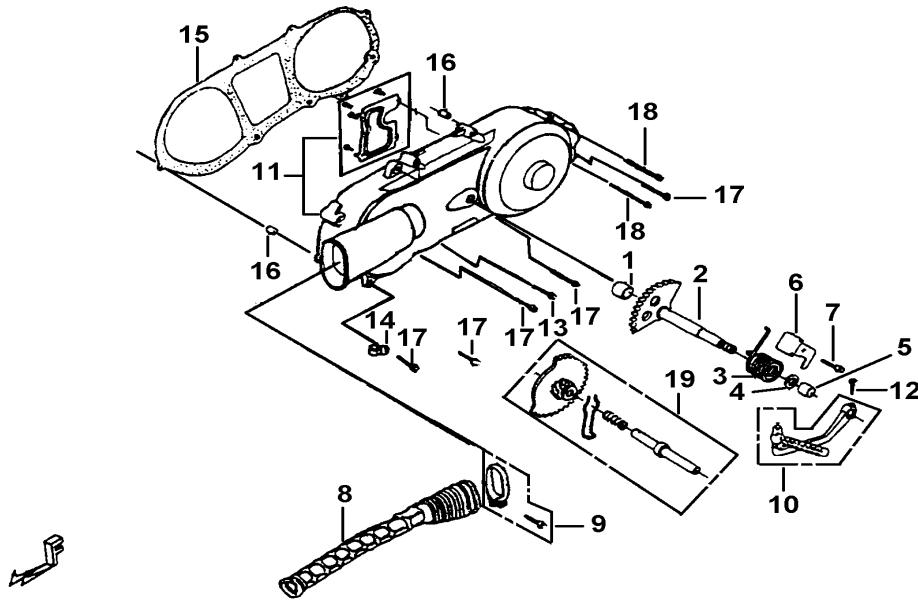
10

## GEAR BOX COVER, REDUCING GEAR

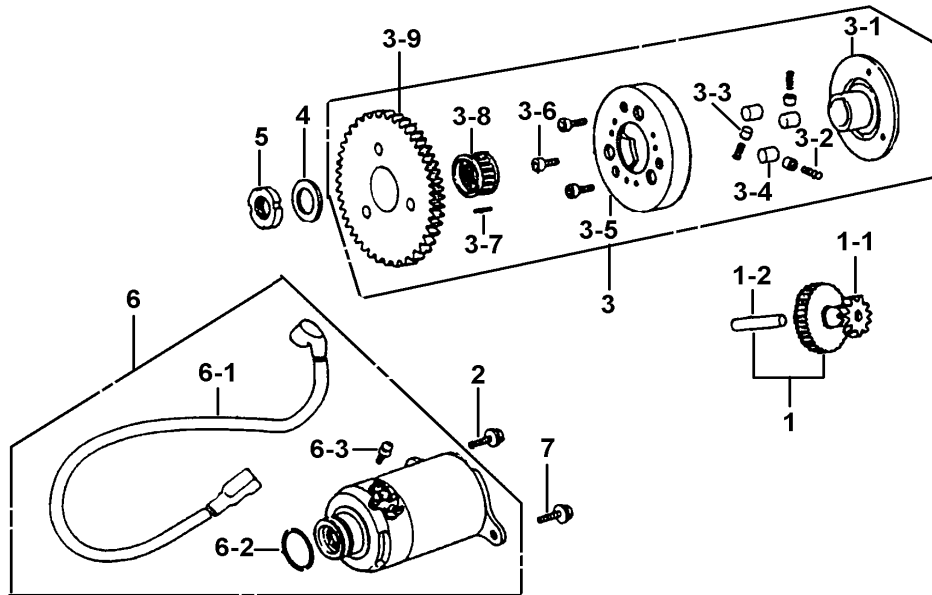
BM8



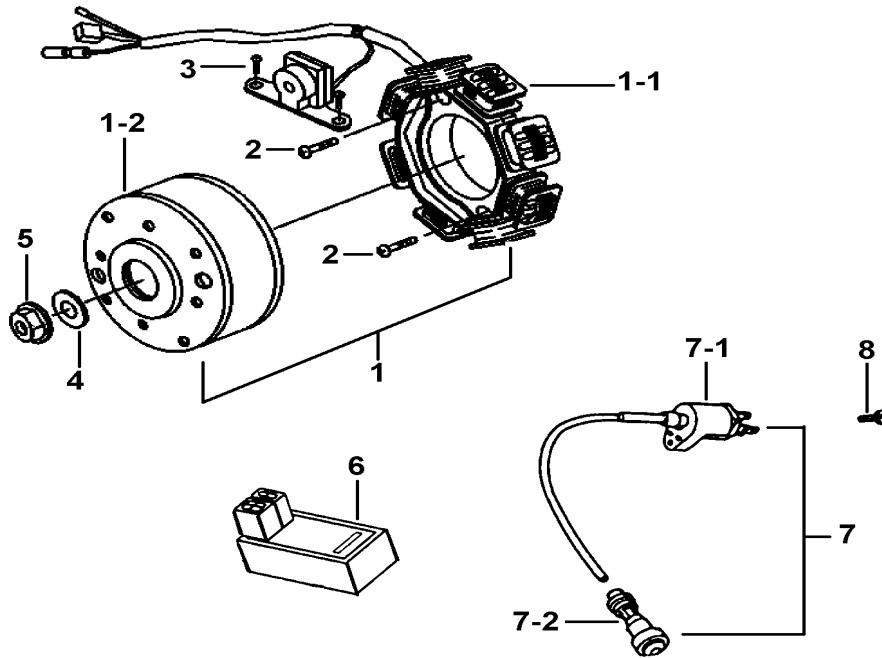
ITEM	PART NO	DESCRIPTION	Q'TY	AMEND	NOTE
01	427502	COVER, GEAR BOX	1		
02	400322	BEARING, IDLER 6202	1		
03	GA507BR05	BEARING, REAR AXLE, LH.	1		
04	400324	BEARING, IDLER 6204	1		
05	427503	GASKET, GEAR BOX	1		
06	P40802	PIN, DOWEL 8X14	2		
07	S24614	BOLT, FLANGE	3		
08	S24615	BOLT, FLANGE M6X35	3		
09	S20807	BOLT, OUTLET M8X1.25X12L	1		
10	400326	OIL SEAL 20X32X6	1		
11	W99807	WASHER 8mm	1		
12	GA504SC12	BOLT, FLANGE 8X12	1		
13	427510	SHAFT, DRIVE 14T	1		
14	427511	SHAFT COMP., IDLE 13T/43T	1		
15	427544	SHAFT, REAR AXLE	1		
16	R00201	SNAP RING, C TYPE	1		
17	400332	GEAR, FINAL DRIVEN 40T	1		



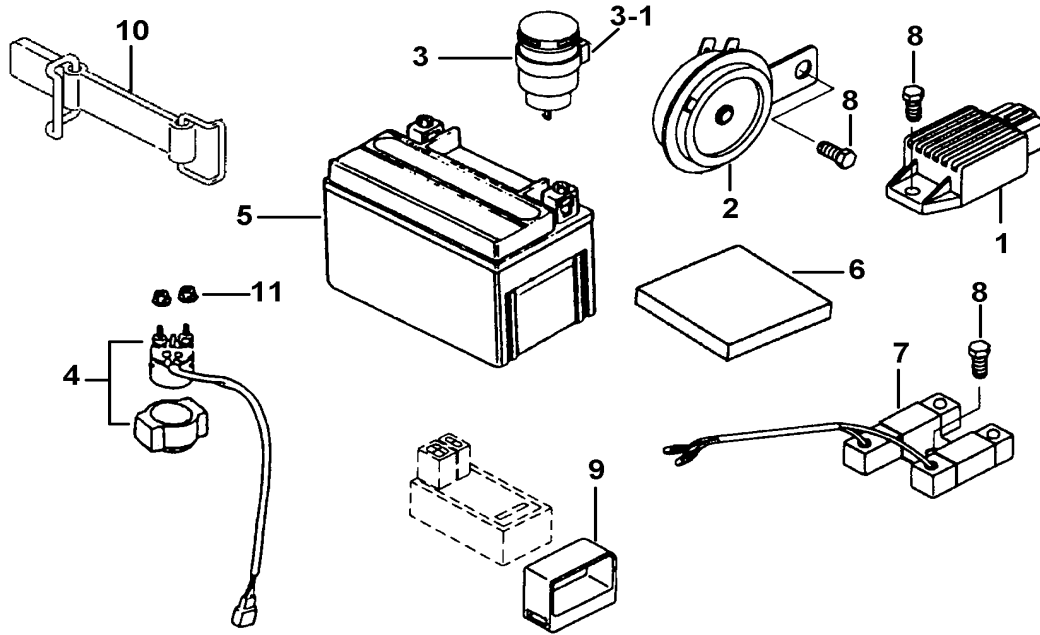
ITEM	PART NO	DESCRIPTION	Q'TY	AMEND	NOTE
01	400342	BUSH 12X16X12	1		
02	400343	SHAFT COMP., STARTER	1		
03	400347	SPRING, STARTER	1		
04	W99402	WASHER 14mm	1		
05	400348	BUSH, KICK STARTERSHAFT 14X18X16	1		
06	400349	STOPPER, RETURN	1		
07	S24617	BOLT, FLANGE M6X14	1		
08	400378	DUCT, COOLING	1		
09	400379	CLAMP SET	1		
10	400350	LEVER ASSY., KICKSTARTER	1		
11	421509	COVER ASSY., CLUTCH	1		
12	S99602	BOLT, HEX. HEAD M6X22	1		
13	S24620	BOLT, HEX HEAD	1		
14	400164	CLAMP, DRAIN TUBE	1		
15	421510	GASKET, CLUTCH COVER	1		
16	P40802	PIN, DOWEL 8X14	2		
17	S24611	BOLT, FLANGE M6X40	5		
18	S24612	BOLT, FLANGE M6X65	2		
19	400334	IDLER SET, STARTER	1		



ITEM	PART NO	DESCRIPTION	Q'TY	AMEND	NOTE
01	400371	GEAR SET, STARTING	1		
01-1	400372	GEAR, STARTING	1		
01-2	400354	SHAFT, STARTING GEAR	1		
02	S24616	BOLT, FLANGE M6X20	1		
03	400353	CLUTCH SET, STARTING	1		
03-1	400356	FLANGE, STARTING CLUTCH	1		
03-2	400357	SPRING, ROLLER	3		
03-3	400374	CAP, ROLLER SPRING	3		
03-4	400359	ROLLER, 10X10	3		
03-5	400360	HOUSING SET, STARTING CLUTCH	1		
03-6	S70612	SCREW M6X12	3		
03-7	P30501	PIN, DOWEL 5X6	1		
03-8	400363	NEEDLE BEARING 28X32X17	1		
03-9	400364	GEAR SET, STARTING CLUTCH	1		
04	W99202	WASHER	1		
05	N50201	NUT 22mm	1		
06	440796	MOTOR COMP., STARTING	1		
06-1	440797	CABLE, STARTING MOTOR	1		
06-2	400513	O RING	2		
06-3	S42501	SCREW, OVAL HEAD M5X8	1		
07	S24603	BOLT, FLANGE M6x16	1		



ITEM	PART NO	DESCRIPTION	Q'TY	AMEND	NOTE
01	441042	FLYWHEEL MAGNET ASSY.	1		
01-1	441043	STATOR ASSY.	1		
01-2	441044	ROTOR ASSY.	1		
02	S24605	BOLT,FLANGE M6X25	2		
03	S24501	SCREW, SOCKET HEADM5x12	2		
04	W99205	WASHER	1		
05	N10203	NUT	1		
06	400505	C.D.I	1		
07	441064	COIL ASSY., IGNITION	1		
07-1	441065	COIL SET, IGNITION	1		
07-2	400512	CAP SET, SPARK PLUG	1		
08	GA510SC10	SCREW, HEX. HEAD M5X20	1		



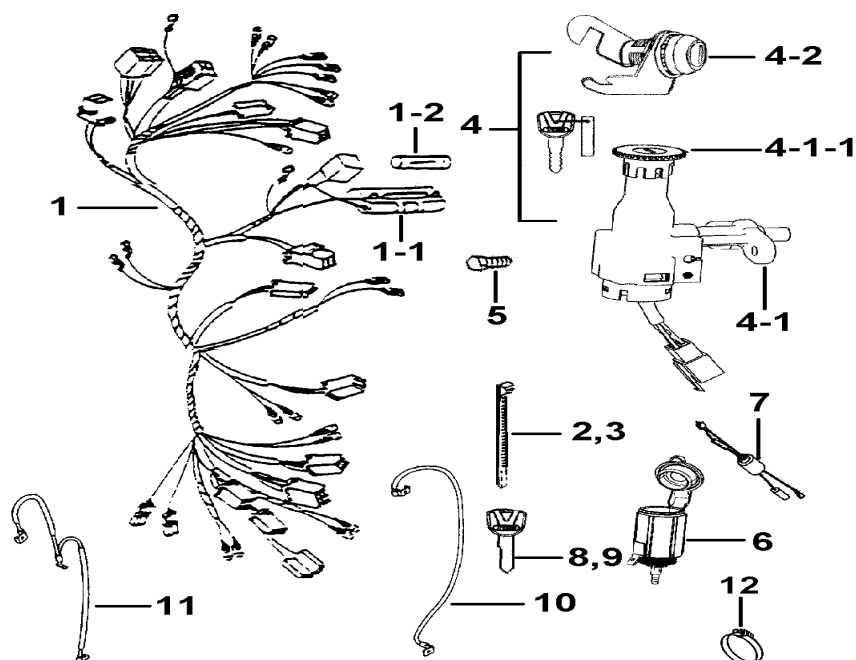
ITEM	PART NO	DESCRIPTION	Q'TY	AMEND	NOTE
01	441055	RECTIFIER	1		
02	440809	HORN COMP	1		
03	441037	RELAY, TURN SIGNAL	1		
03-1	441036	BUSH, RUBBER	1		
04	441033	RELAY, STARTING	1		
05	400518	BATTERY, ENGLISH LABEL 12V 7AH	1		
06	GF514TH02	CUSHION	4		
07	441048	RESISTOR	1		
08	GA510SC03	SCREW, HEX. HEAD M6X16	3		
09	400519	BUSH, RUBBER	1		
10	526405	BAND, BATTERY	1		
11	N10601	NUT, FLANGE 6mm	2		



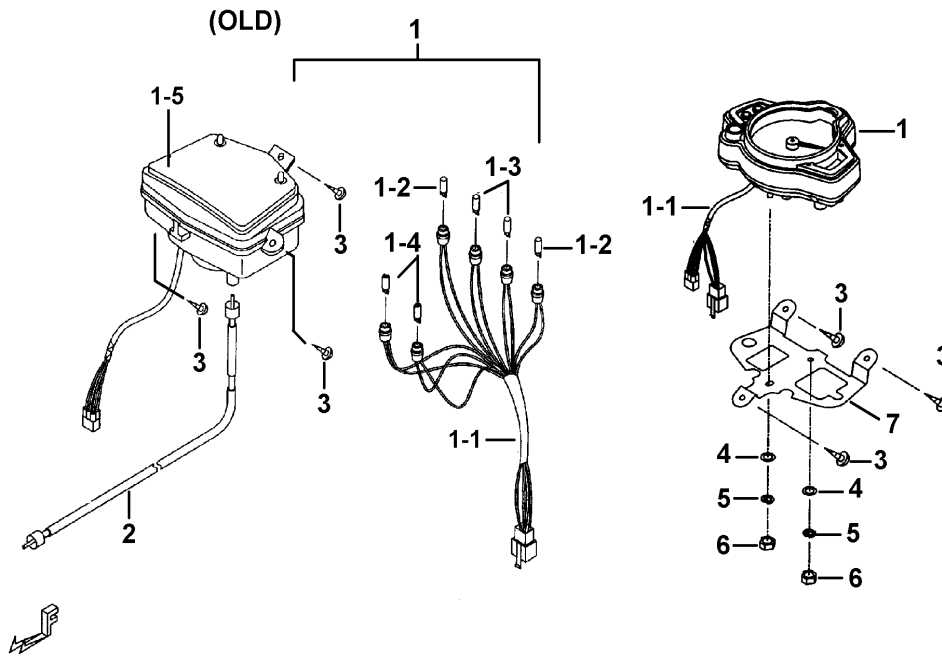
15

## WIRING HARNESS AND LOCK SET

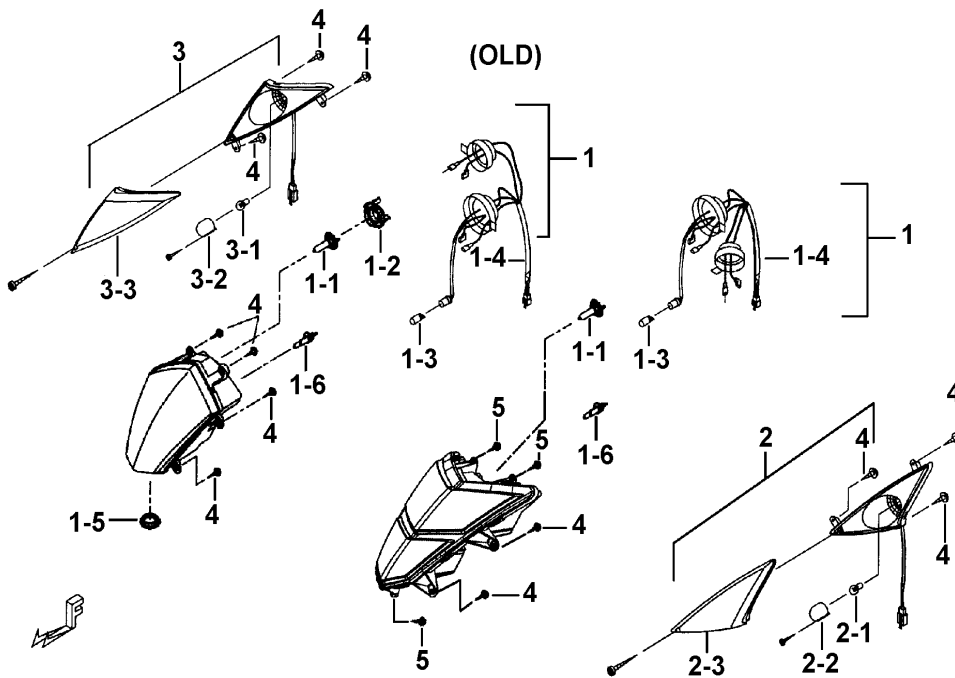
BM8



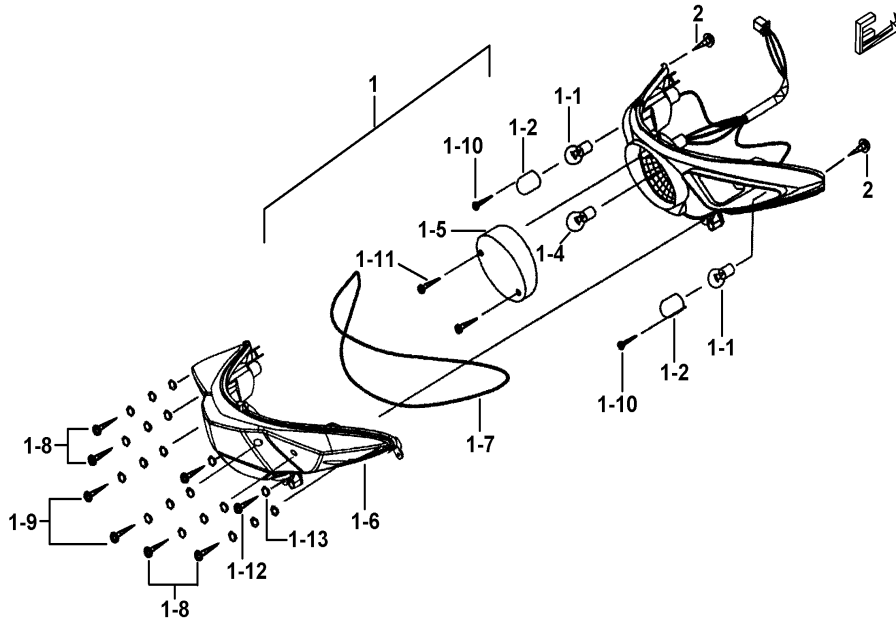
ITEM	PART NO	DESCRIPTION	Q'TY	AMEND	NOTE
01	441023	WIRING HARNESS	1	-108279	
01-1	GF5159906	CASE SET, FUSE	1		
01-2	GF5159907	FUSE 7A	1		
01A	441063	WIRING HARNESS	1	108280-	
02	400535	CLAMP L300	2		
03	GA510SR02	CLAMP L200	1		
04	440979	LOCK ASSY.	1		
04-1	440991	LOCK SET, STEERING	1		
04-1-1	440996	CAP, INDICATOR	1		
04-2	440992-S	LOCK	1		
05	S96601	SCREW, SPECIAL	2		
06	440986	POWER SOURCE	1		
07	440990	CONNECT WIRE	1		
08	440997	BLANK KEY RH.	1		
09	440998	BLANK KEY LH.	1		
10	441034	HARNESS, STARTING	1		
11	441024	HARNESS, EARTH	1		
12	422039	CLAMP. 38	1		



ITEM	PART NO	DESCRIPTION	Q'TY	AMEND	NOTE
01	457138A	SPEEDOMETER ASSY.	1	←108279	
01-1	457117	SOCKET COMP.	1	←108279	
01-1A	414086	SOCKET COMP.	1	108280→	
01-2	457118	BULB 14V 3W	2	←108279	
01-3	441078	BULB (12V, 1.7W)	2	←108279	
01-4	441079	BULB, BLACK HEAD(12V,1.7W)	2	←108279	
01-5	457116	COVER, SPEEDOMETER	1	←108279	
01A	457162A	SPEEDOMETER ASSY.	1	108280→	
02	411630	CABLE ASSY., SPEEDOMETER	1		
03	GA552SC11	SCREW, TAPPING M4X16	3		
04	W99525	WASHER	2	108280→	
05	W10501	SPRING WASHER	2	108280→	
06	N20502	NUT, SELFLOCK	2	108280→	
07	457166	BRACKET	1	108280→	

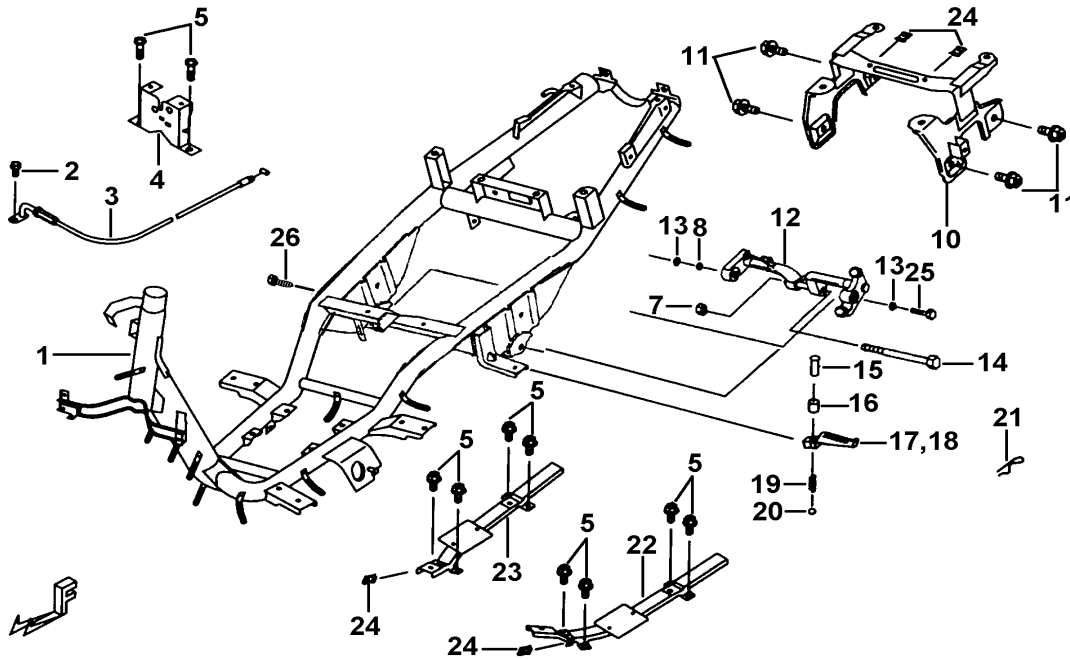


ITEM	PART NO	DESCRIPTION	Q'TY	AMEND	NOTE
01	450039Y	HEAD LAMP ASSY.	1	←108279	
01-1	450067Y	BULB 55W	1		
01-2	450066Y	BRACKET, BULB	1	←108279	
01-3	400517	BULB 12V, 5W	1		
01-4	450069Y	SOCKET COMP.	1	←108279	
01-4A	450088	SOCKET COMP.	1	108280→	
01-5	450070Y	RUBBER PLUG	1	←108279	
01-6	450068Y	BULB 55W	1		
01A	450085	HEAD LAMP ASSY.	1	108280→	
02	450083	TURN SIGNAL LAMP COMP., LH.	1		
02-1	GF5170006	BULB, 12V, R10W	1		
02-2	450059	LENS	1		
02-3	450056	LENS, TURN SIGNAL, LH. FRONT	1		
03	450084	TURN SIGNAL LAMP COMP., RH.	1		
03-1	GF5170006	BULB, 12V, R10W	1		
03-2	450059	LENS	1		
03-3	450057	LENS, TURN SIGNAL, RH. FRONT	1		
04	GA552SC11	SCREW, TAPPING M4X16	8		
05	S50401	SCREW TAPPING M4X12	5		



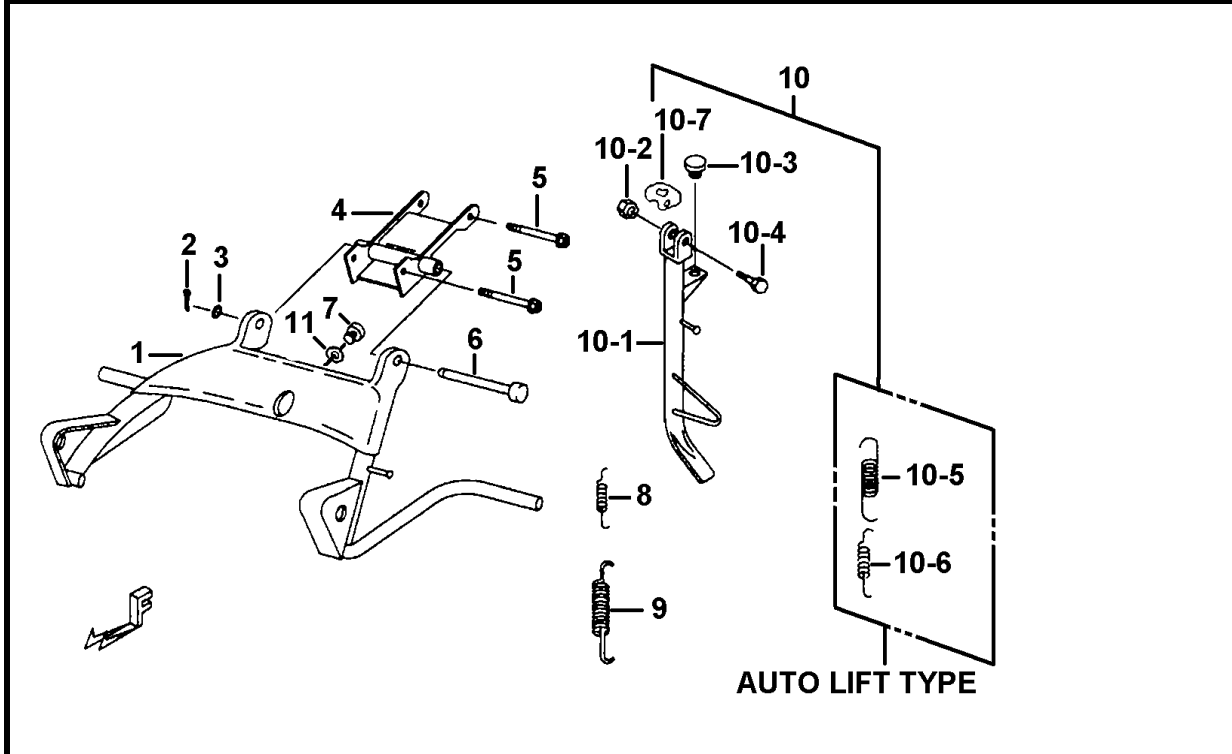
ITEM	PART NO	DESCRIPTION	Q'TY	AMEND	NOTE
01	451066	REAR LAMP ASSY.	1		
01-1	GF5170006	BULB, 12V, R10W	2		
01-10	S60201	SCREW, TAPPING M2X8	2		
01-11	S61304	SCREW, TAPPING M3X10	2		
01-12	S61305	SCREW, TAPPING M3X12	2		
01-13	W02303	WASHER 1t	2		
01-2	451045	LENS	2		
01-4	GF5180002	BULB 12V, P21/5W	1		
01-5	451075	LENS, REAR LAMP	1		
01-6	451054	LENS, REAR LAMP	1		←108851
01-6A	451076	LENS, REAR LAMP	1		108852→
01-7	451046	GASKET	1		
01-8	S60303A	SCREW, TAPPING COMP. M3X25	4		
01-9	S61303A	SCREW, TAPPING COMP. M3X15	2		
02	S50401	SCREW TAPPING M4X12	2		

19	FRAME	BM8
----	-------	-----



ITEM	PART NO	DESCRIPTION	Q'TY	AMEND	NOTE
01	414916	FRAME	1		
02	S13502	SCREW RECESSED,PAN HEAD M5X10	1		
03	414933	CABLE, LOCK SET, SEAT	1		
04	BH1199904	LOCK SET, SEAT	1		
05	GA556SC01	BOLT, FLANGE M6X1.0X12L	10		
07	GA551NT01	NUT, SELFLOCK M10X1.25	1		
08	401921	SPACER	1		
10	411982	BRKT COMP., HANDLE	1		
11	GA551SC02	BOLT	4		
12	411989	ROCKER ARM ASSY., HANGER	1		
13	GA556WS06	WASHER, SPRING 10.2X3.7X2.5t	2		
14	S20003	BOLT	1		
15	GA551PN02	PIN 6X34	2		
16	GF519FE01	COLLAR, PIN 6X8X20	2		
17	GF519AL05	FOOTREST ASSY., PILLON, LH.	1		
18	GF519AL06	FOOTREST ASSY., PILLION, RH.	1		
19	GF519SP01	SPRING, COMPRESSION 6X12.5	2		
20	GF519FE04	BALL 6.35	2		
21	GA551PN01	COTTER PIN 1.5X30	2		
22	411983	L REINFORCEMENT FLOOR COMP.	1		
23	411984	R REINFORCEMENT FLOOR COMP.	1		
24	N32601	NUT, SPRING	4		
25	S99006	BOLT	1		
26	S99003	BOLT, FLANGE	1		

20	STAND	BM8
----	-------	-----

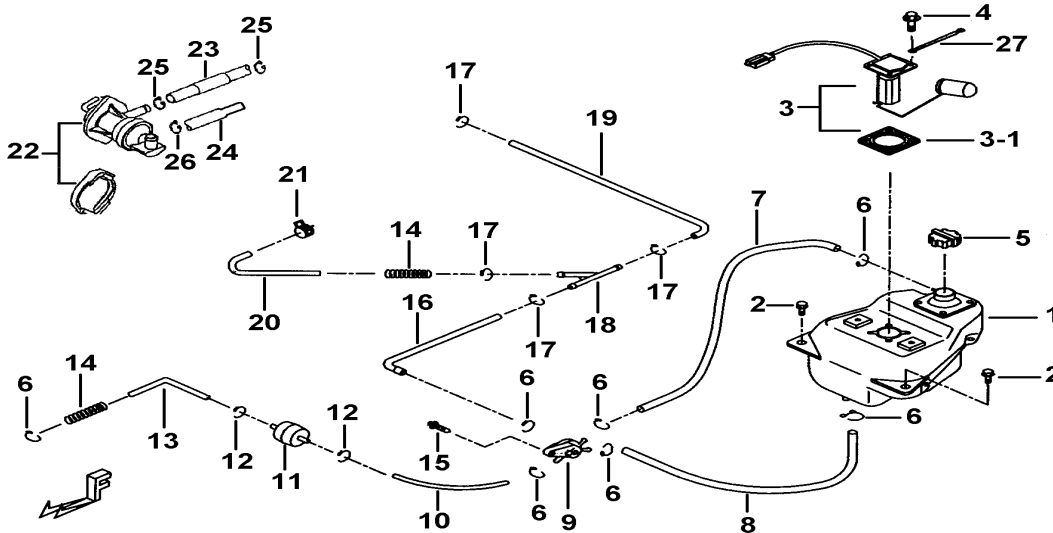


ITEM	PART NO	DESCRIPTION	Q'TY	AMEND	NOTE
01	412052	STAND COMP., MAIN	1		
02	GA551PN04	PIN, COTTER	1		
03	GA551WS02	BOLT, BUTTON SOCKET HEAD	1		
04	402159	BRKT SET, MAINSTAND	1		
05	S20808	BOLT, FLANGE	2		
06	GA551PN03	SHAFT, MAIN STAND	1		
07	GA551RB05	CUSHION	1		
08	GA551SP04	SPRING 9X107X1.4	1		
09	GA551SP02	SPRING 16X114X2.8	1		
10	414087	STAND COMP., SIDE	1		
10-1	412081	SIDE STAND COMP.	1	←108108	
10-1A	412083	SIDE STAND COMP.	1	108109→	
10-2	GA551NT02	NUT, FLANGE SELFLOCK M10x10	1	←108108	
10-2A	GA551NT04	NUT, HEX. HEAD M8	1	108109→	
10-3	412045	CUSHION	1	←107982	
10-3A	GA551RB05	CUSHION	1	107983~10 8108	
10-3B	412065	CUSHION	1	108109→	
10-4	S96001	BOLT	1	←108108	
10-4A	S96809	BOLT	1	108109→	
10-5	412073	SPRING, SIDE STAND	1		
10-6	412074	SPRING, SIDE STAND	1		
10-7	GA551PS54	BRKT, SIDE STAND SPRING	1		
11	GA507WS01	WASHER	1		

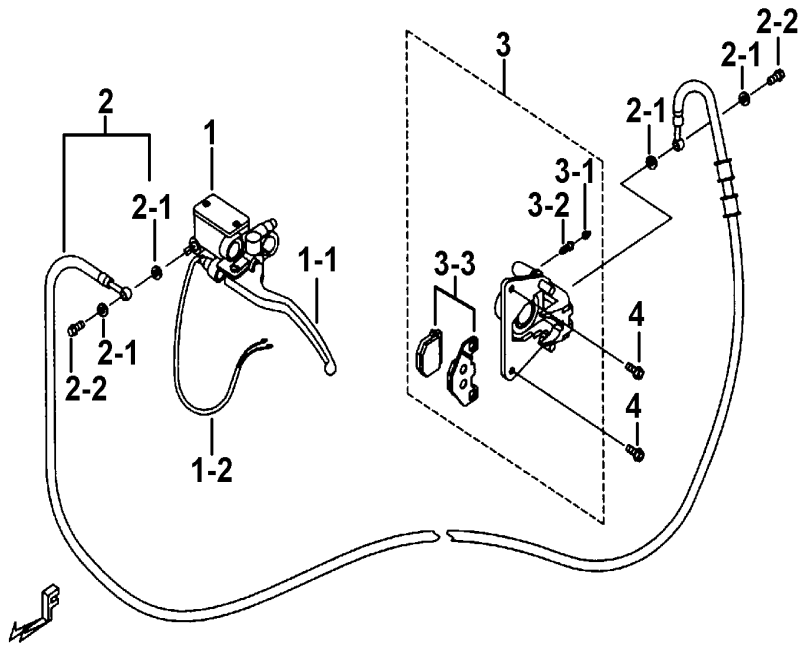
21

## FUEL TANK

BM8



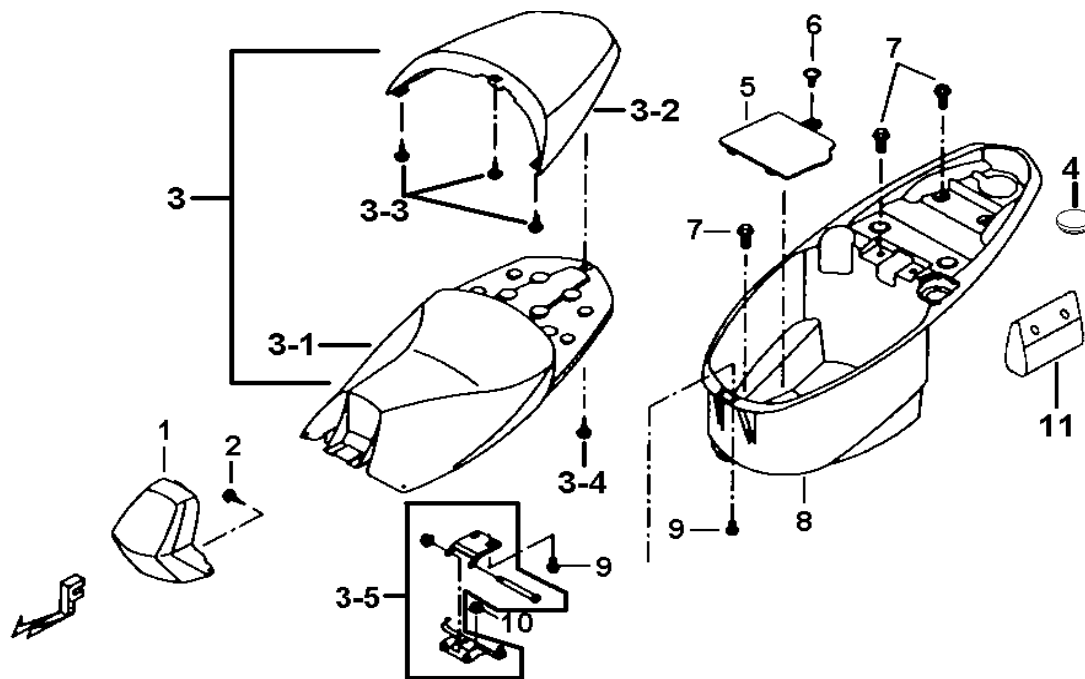
ITEM	PART NO	DESCRIPTION	Q'TY	AMEND	NOTE
01	412124	TANK, FUEL	1		
02	GA555SC05	BOLT, OUTLET M6X1.0X16L	4		
03	414129	GAUGE ASSY., FUEL LEVEL	1		
03-1	414034	GASKET	1		
04	S45502	SCREW, OVAL HEAD	4		
05	412133	CAP COMP., FILLER	1		
06	R36801	CLIP 8.5	7		
07	412130	HOSE	1		
08	412113	HOSE	1		
09	GA5539902	COCK ASSY., FUEL	1		
10	412103	HOSE #2	1		
11	412182	FILTER, FUEL	1		
12	R36901	CLIP	2		
13	414113	HOSE 320MM	1		
14	412135	SPRING 250L	2		
15	GA553SC01	BOLT, FLANGE M6X1.0X16L	1		
16	412193	HOSE	1		
17	R36701	CLIP	4		
18	412196	THREE WAY TUBE UNIT	1		
19	412194	HOSE	1		
20	412195	HOSE	1		
21	R40702	CLIP	1		
22	400450	AICV ASSY.	1		
23	400452	HOSE	1		
24	400453	HOSE	1		
25	426081	CLIP	2		
26	R40701	CLIP	1		
27	412120	HARNESS, EARTH	1		←108680



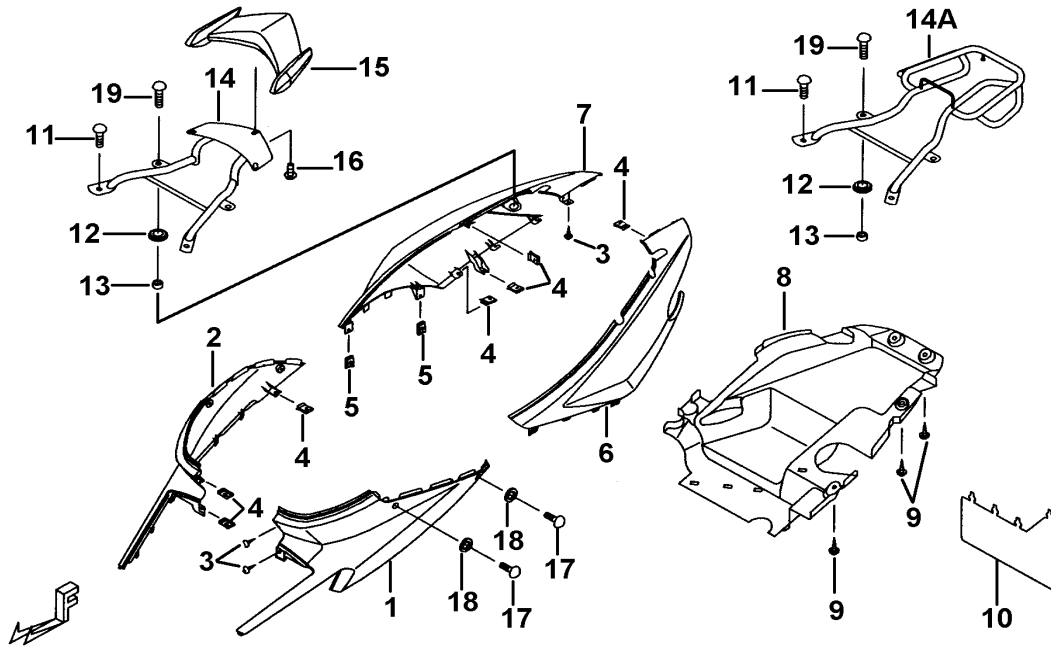
ITEM	PART NO	DESCRIPTION	Q'TY	AMEND	NOTE
01	413515SW	MASTER CYLINDER(SILVER WHITE)	1		
01-1	401020SW	LEVER, HANDLE BAR(SILVER WHITE)	1		
01-2	414039	LIMITED SWITCH ASSY.	1		
02	413509	HOSE ASSY., REAR BRAKE	1		
02-1	GA559WS04	WASHER, 10.2X15X1.2t	4		
02-2	S21001	OIL BOLT M10X1.25X22L	2		
03	413511	CALLIPER(REAR)(RED)	1		
03-1	GA559RB01	CAP, GUARD	1		
03-2	GA559SC01	BOLT, FLANGE	1		
03-3	414035	PAD ASSY.	1		
04	S20814	BOLT, FLANGE M8X1.25X20L	2		



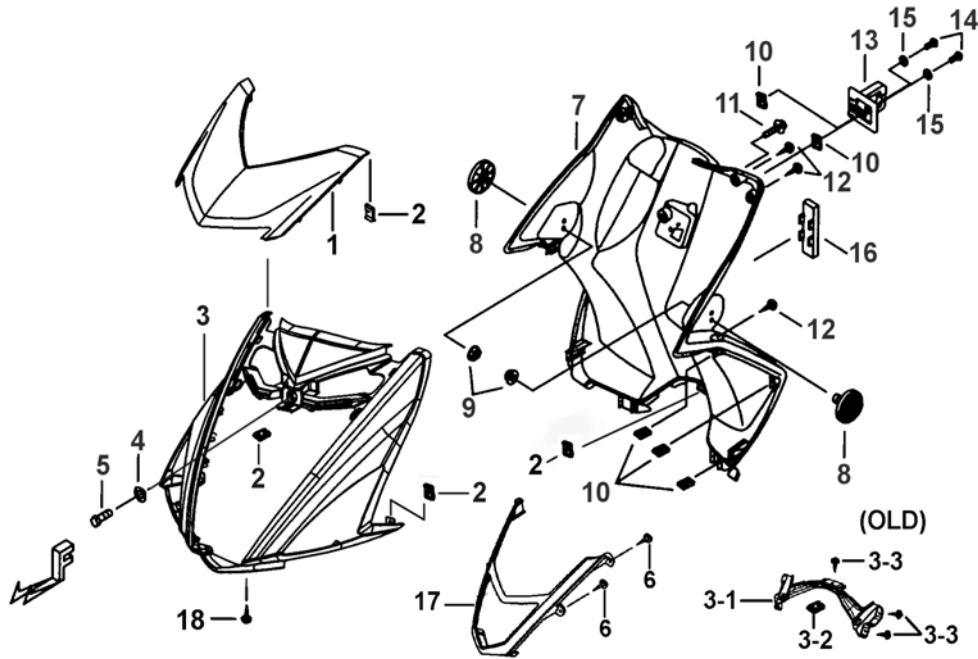
23	SEAT	BM8
----	------	-----



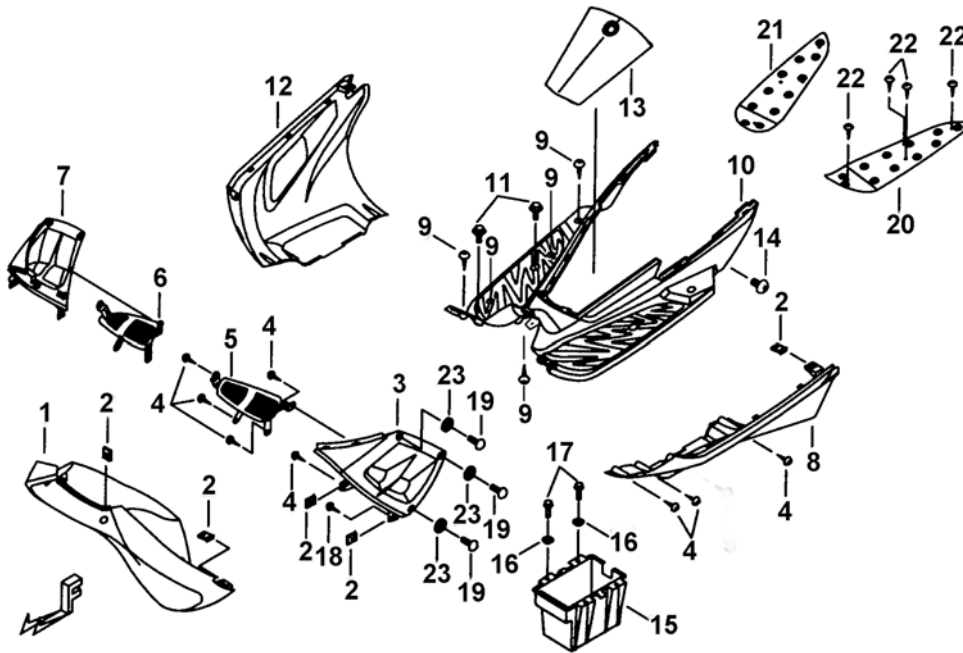
ITEM	PART NO	DESCRIPTION	Q'TY	AMEND	NOTE
01	452051	COVER, SEAT, FRONT	1		OPTION
02	S50401	SCREW TAPPING M4X12	2		
03	452100	SEAT SET	1		
03-1	452059	FRONT SEAT	1		
03-2	452055	REAR SEAT	1		
03-2A	452057	COVER, SEAT, REAR	1		OPTION
03-3	GA552SC11	SCREW, TAPPING M4X16	3		
03-4	S50401	SCREW TAPPING M4X12	1		
03-5	452049	BRKT, SEAT	1		
04	452062	RUBBER PLUG	1		
05	452056	CAP, HELMET CASE	1		
06	S45603	SCREW, OVAL HEAD M6x10	1		
07	S25602	BOLT M6X16L	6		
08	452060	HELMET CASE	1		
09	GA555SC05	BOLT, OUTLET M6X1.0X16L	4		
10	N10603	NUT, SPRING M6	2		
11	421515	PACKAGE, TOOL	1		



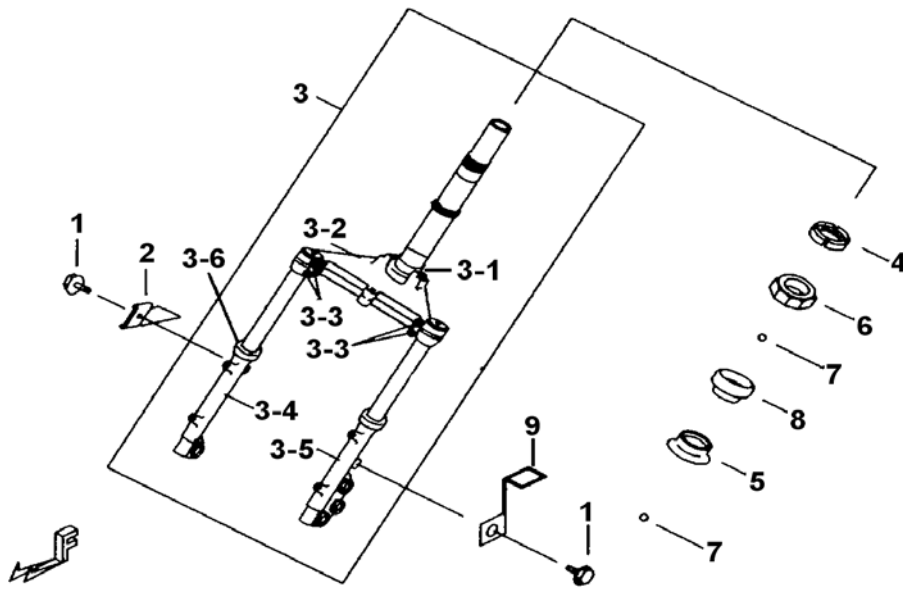
ITEM	PART NO	DESCRIPTION	Q'TY	AMEND	NOTE
01	453051	COVER, SIDE FRONT, LH.	1		
02	453052	COVER, SIDE FRONT, RH.	1		
03	S50401	SCREW TAPPING M4X12	3		
04	GA552NT01	NUT, SPRING M4	11		
05	N32501	NUT, SPRING M5	4		
06	453053	COVER, SIDE REAR, LH.	1		
07	453054	COVER, SIDE REAR, RH.	1		
08	453064	BOTTOM PLATE	1		
09	GA552SC11	SCREW, TAPPING M4X16	6		
10	453065	SPLASH APRON	1		
11	S20817	BOLT, FLANGE M8X16	2		
12	402129	WASHER, RUBBER	2		
13	412409	SPACER	2		
14	412408	HANGER, HANDLE	1		
14A	412407	REAR CARRIER	1		
15	453056	HANDLE	1		
16	S72605	BOLT, HEX HEAD M6X16 (Silver White)	3		
17	S72503	BOLT M5X16	4		
18	W99525	WASHER	4		
19	S20802	BOLT, FLANGE M8X30L	2		



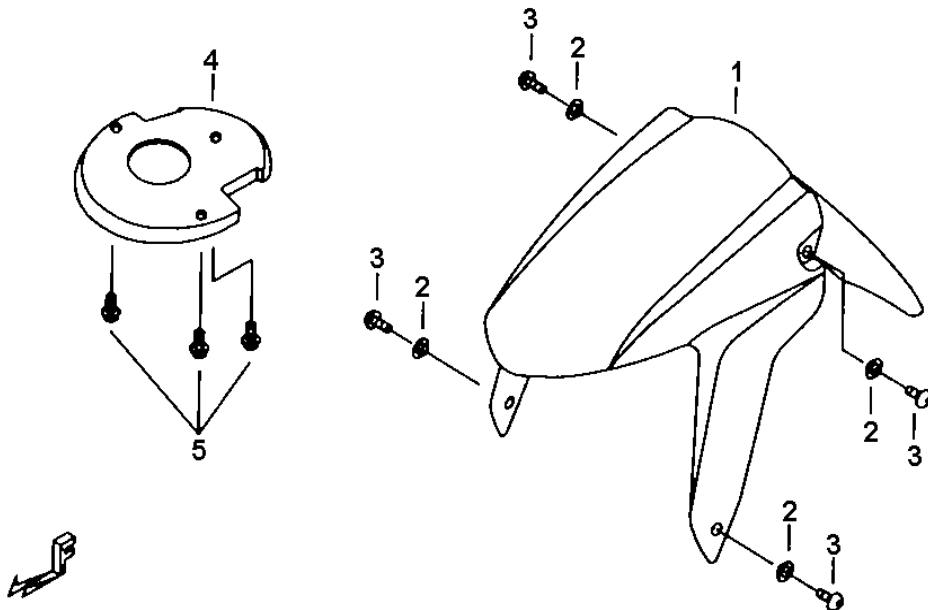
ITEM	PART NO	DESCRIPTION	Q'TY	AMEND	NOTE
01	454025	COVER, LEG SHIELD, FRONT	1	-108279	
01A	454039	COVER, LEG SHIELD, FRONT	1	108280→	
02	GA552NT01	NUT, SPRING M4	6		
03	454038A	LEG SHIELD, FRONT	1	-108279	
03-1	454041	BRACKET	1	-108279	
03-2	GA552NT01	NUT, SPRING M4	1	-108279	
03-3	S50401	SCREW TAPPING M4X12	5	-108279	
03A	454038	LEG SHIELD, FRONT	1	108280→	
04	GA556WS02	WASHER	1		
05	GA510SC03	SCREW, HEX. HEAD M6X16	1		
06	S50401	SCREW TAPPING M4X12	6		
07	454029	COVER SET, LEG SHIELD	1		
08	GF5189903	REFLECTOR ASSY., SIDE	2		
09	GA554NT04	NUT, FLANGE M6xP1.0	2		
10	N32501	NUT, SPRING M5	8		
11	S25602	BOLT M6X16L	1		
12	GA552SC11	SCREW, TAPPING M4X16	6		
13	454028	HOOK LUGGAGE	1		
14	S72503	BOLT M5X16	2		
15	W99525	WASHER	2		
16	BH125PL04	COVER SET, LEG SHIELD, SMALL	1		
17	454040	ORNAMENTAL COVER	1	108280→	
18	GA552SC11	SCREW, TAPPING M4X16	2		



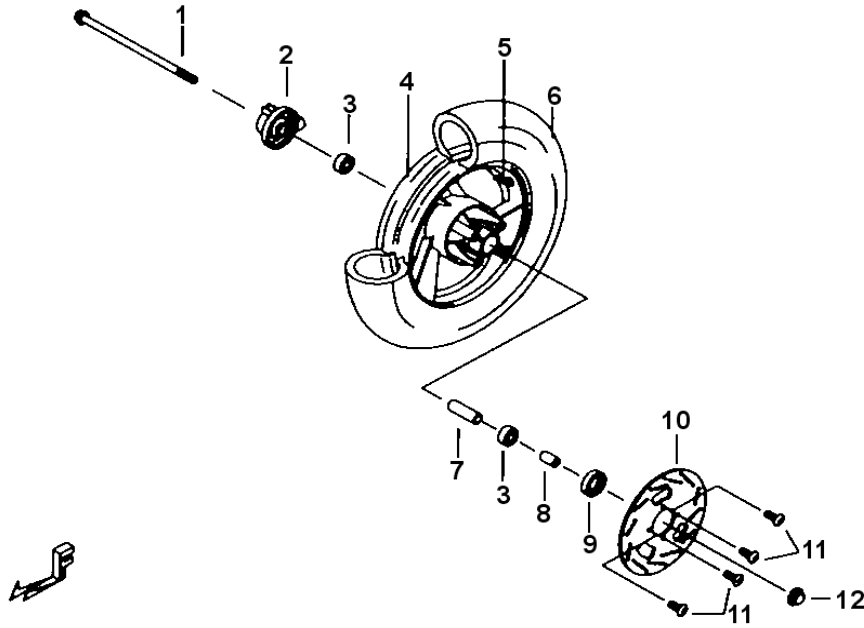
ITEM	PART NO	DESCRIPTION	Q'TY	AMEND	NOTE
01	455030	COVER, LOWER	1		
02	GA552NT01	NUT, SPRING M4	14		
03	455031	LEG SHIELD, SIDE LH.	1		
04	S50401	SCREW TAPPING M4X12	13		
05	455038	PLATE, AIR INLET, LH.	1		OPTION
06	455039	PLATE, AIR INLET, RH.	1		OPTION
07	455032	LEG SHIELD, SIDE RH.	1		
08	455046	LEG SHIELD, LOWER, LH.	1		
09	GA552SC11	SCREW, TAPPING M4X16	11		
10	455045	LEG SHIELD, REAR	1		
11	S25602	BOLT M6X16L	4		
12	455047	LEG SHIELD, LOWER, RH.	1		
13	455037	LID, BATTERY	1		
14	GA555SC02	SCREW, AN HEAD	2		
15	455036	BATTERY BOX	1		
16	GA556WS02	WASHER	4		
17	GA555SC05	BOLT, OUTLET M6X1.0X16L	4		
18	S50402	SCREW, TAPPING M4X10	2		
19	S72504	BOLT M5X20	6		
20	455040	MAT, LH.(AL)	1		
21	455041	MAT RH. (AL)	1		
22	S50407	SCREW, TAPPING M4X12	8		
23	W99525	WASHER	6		



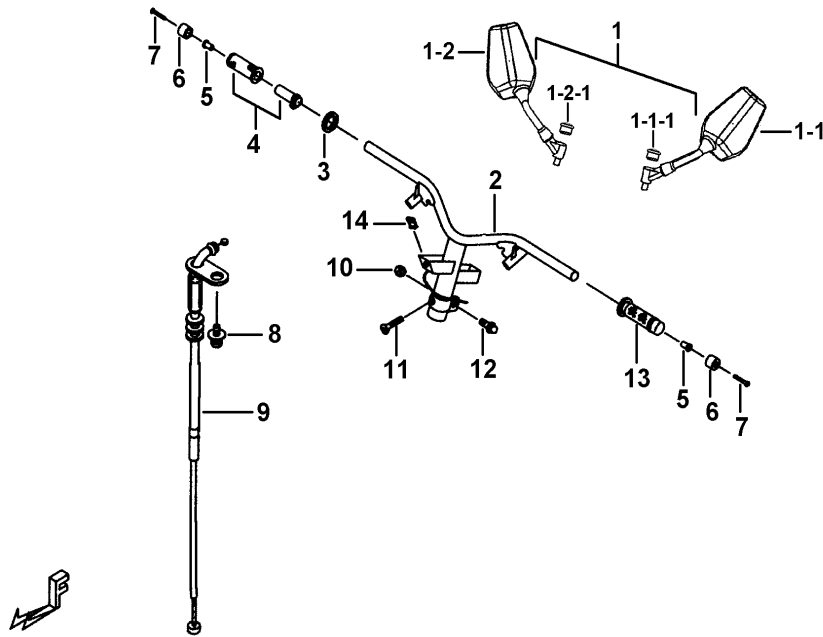
ITEM	PART NO	DESCRIPTION	Q'TY	AMEND	NOTE
01	GA556SC01	BOLT, FLANGE M6X1.0X12L	2		
02	G1527PS02	BRKT, CABLE, SPEEDOMETER	1		
03	412704	FORK COMP., FRONT	1		
03-1	GF527PS01	RACE, STEERING, OVTER, LOWER	1		
03-2	401970	CENTRAL BAR ASSY.	1		
03-3	S20004	BOLT,FLANGE M10X30	4		
03-4	412705	FORK COMP., FRONT RH.	1		
03-5	412706	FORK COMP., FRONT LH.	1		
03-6	401876	SEAL, OIL	2		
04	GA556NT01	NUT, SLOTTED	1		
05	GF527PS02	RACE, STEERING INNER, LOWER	1		
06	GA556PS03	RACE, STEERING, INNER, UPPER	1		
07	GA556FE01	BALL	55		
08	GA556PS04	RACE, STEERING, INNER	1		
09	412716	BRKT, BRAKE HOSE	1		



ITEM	PART NO	DESCRIPTION	Q'TY	AMEND	NOTE
01	456010	FRONT FENDER	1		OPTION
02	GA556WS02	WASHER	4		
03	GA555SC03	SCREW, PAN HEAD M6X16	4		
04	456011	FENDER, FIXED, FRONT	1		
05	GA556SC01	BOLT, FLANGE M6X1.0X12L	3		

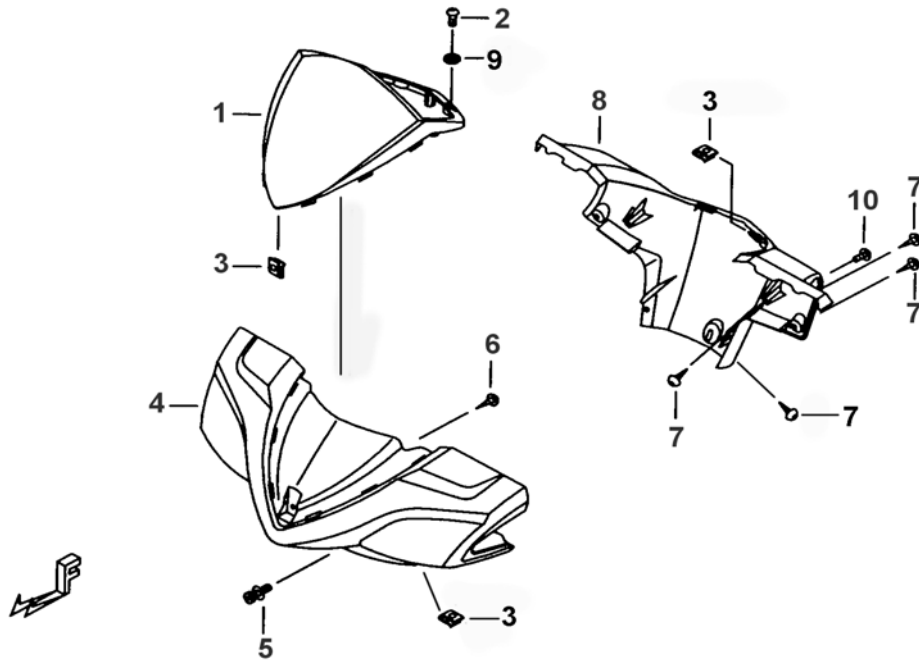


ITEM	PART NO	DESCRIPTION	Q'TY	AMEND	NOTE
01	GI529FE01	SHAFT, FRONT WHEEL 12X218	1		
02	412961	GEAR COMP., SPEEDOMETER	1		
03	GI529BR01YT	BEARING 12X32X10	2		
04	412927YPA	RIM COMP. 3.5-13 (AL)(BLACK)	1		OPTION
04B	412927BYPA	RIM COMP 3.5-13 (AL)(BLK/RED LINE)	1		OPTION
05	GF5299901	INLET COMP., AIR	1		
06	412900-S	TIRE 130/60-13	1		
07	401792	COLLAR SET	1		
08	GI529BS01	COLLAR	1		
09	GI529OS01	OIL SEAL 18X35X7	1		
10	410200Y	DISC, BRAKE 220mm	1		
10A	412960Y	WAVE BRAKE DISC 220mm	1		OPTION
11	GA558SC02	BOLT M8X1.25X15L	4		
12	N25201	NUT, SELFLOCK M12X1.25	1		



ITEM	PART NO	DESCRIPTION	Q'TY	AMEND	NOTE
01	413063	MIRROR ASSY., REAR VIEW	1		
01-1	414006	MIRROR, REAR VIEW, LH.	1		
01-1-1	414084	PLUG	1		
01-2	414007	MIRROR, REAR VIEW, RH.	1		
01-2-1	414084	PLUG	1		
02	417023	HANDLE BAR ASSY.	1		
03	413912	SEAL	1		
04	413031	GRIP ASSY., RH.	1		
05	401801	COLLAR	2		
06	401802	END, GRIP	2		
07	S35601	SCREW, FLAT HEAD	2		
08	GA557SC12	SCREW, PAN HEAD M5X10	1		
09	417004	CABLE, THROTTLE	1		
10	GA551NT01	NUT, SELFLOCK M10X1.25	1		
11	GA557SC02	SCREW, FLAT HEAD M8X35	1		
12	GA557SC01	BOLT, FLANGE M10X43	1		
13	401827	GRIP	1		
14	N32501	NUT, SPRING M5	1		



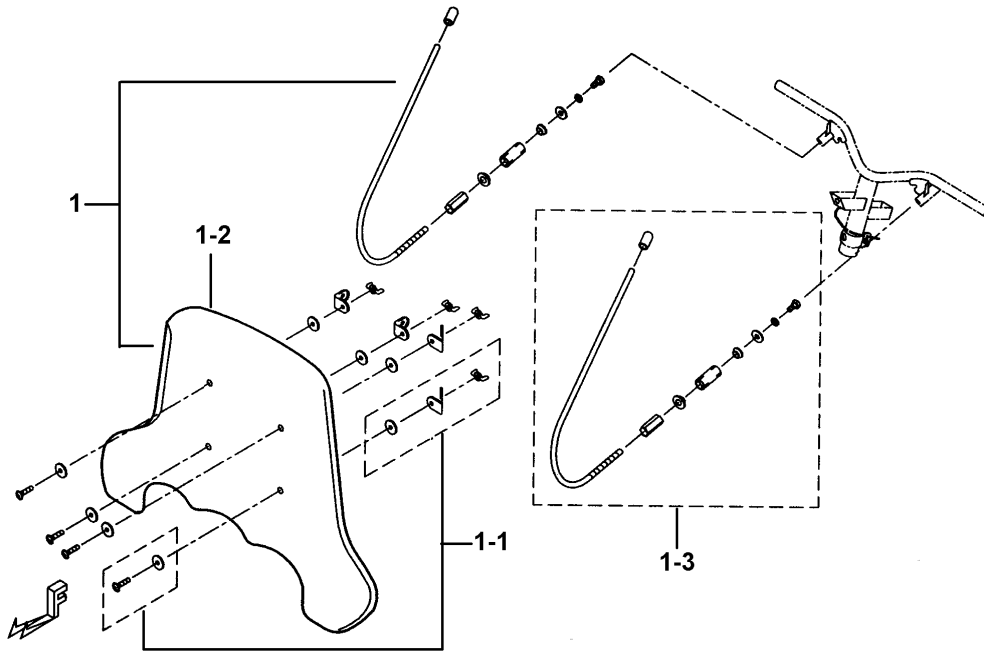


ITEM	PART NO	DESCRIPTION	Q'TY	AMEND	NOTE
01	457109	COVER, HANDLE BAR, UPPER	1	←108279	
01A	457165	COVER, HANDLE BAR, UPPER	1	108280→	
02	S50406	SCREW, TAPPING M4X16	2	←108279	
02A	S51405	SCREW TAPPING	2	108280→	
03	GA552NT01	NUT, SPRING M4	8		
04	457127	COVER, HANDLE BAR, FRONT	1		
05	GA510SC10	SCREW, HEX. HEAD M5X20	1		
06	S50401	SCREW TAPPING M4X12	1		
07	GA552SC11	SCREW, TAPPING M4X16	8		
08	457128	COVER, HANDLE BAR, REAR	1		
09	W99435	WASHER	2	←108279	
09A	W99406	WASHER	2	108280→	
10	GA552SC06	BOLT, OVAL HEAD 5X12	1		

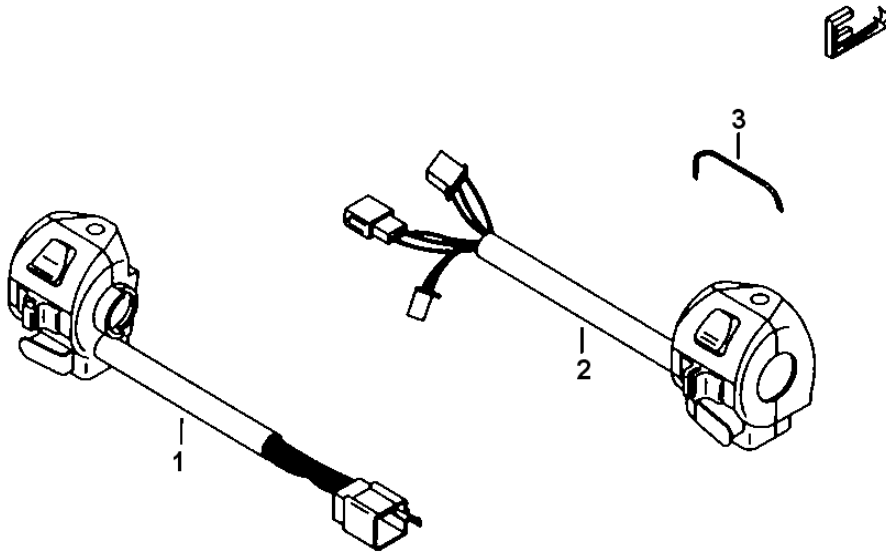
3101

WIND-SHIELD ASSY.(OPTION)

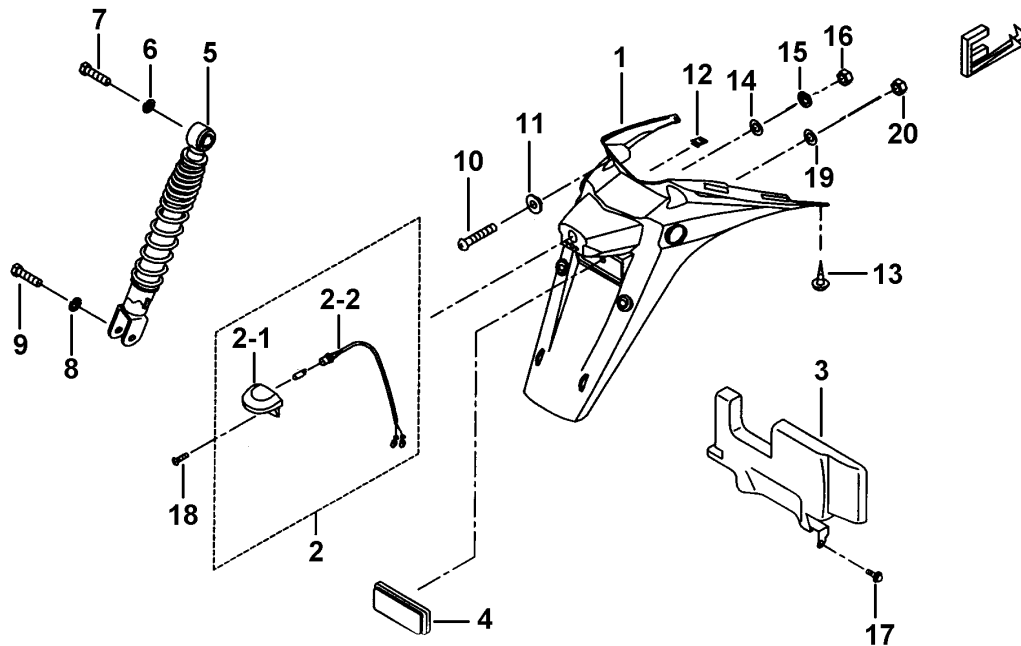
BM8



ITEM	PART NO	DESCRIPTION	Q'TY	AMEND	NOTE
01	413997	WIND SHIELD ASSY.	1		
01-1	457046	BOLT SET	4		
01-2	457029	WIND-SHIELD	1		
01-3	413061A	FIXED ROD SET	2		



ITEM	PART NO	DESCRIPTION	Q'TY	AMEND	NOTE
01	413228	SWITCH ASSY., HANDLE, LH.	1	←108108	
01A	413239	SWITCH ASSY., HANDLE, LH.	1	108109→	
02	413229	SWITCH ASSY., HANDLE, RH.	1	←108108	
02A	413240	SWITCH ASSY., HANDLE, RH.	1	108109→	
03	413911	WASHER	1		

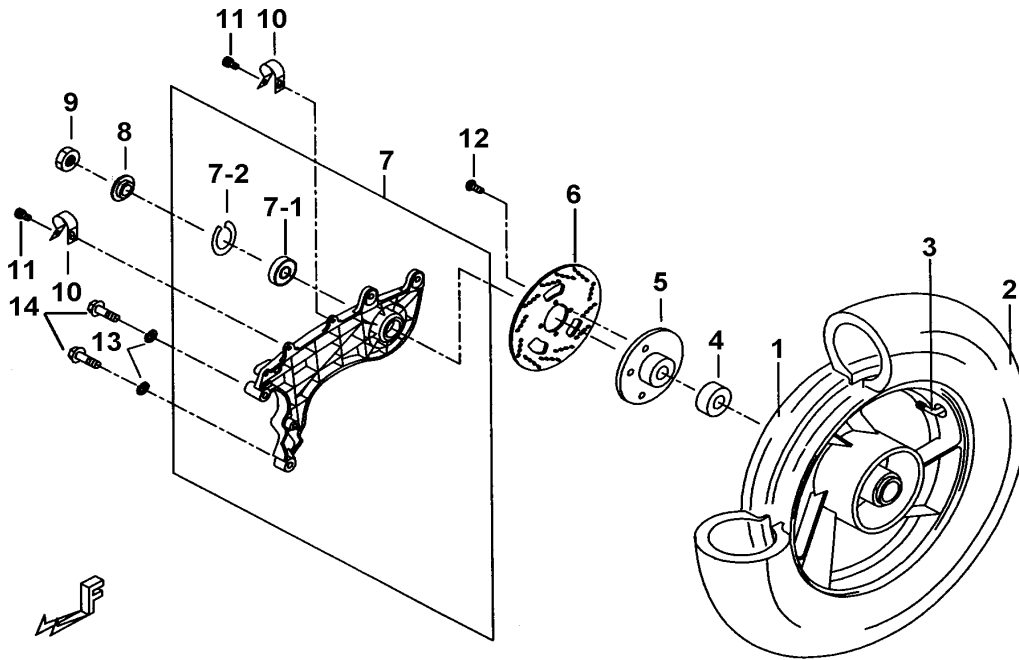


ITEM	PART NO	DESCRIPTION	Q'TY	AMEND	NOTE
01	458028	FENDER, REAR	1		
02	511811	NUMBER-PLATE LAMP	1		
02-1	451038	BULB 12V 5W	1		
02-2	514037	WIRING SET, NUMBER-PLATE LAMP	1		
03	458007	SPLASH BOARD	1		
04	511802	REFLECTOR ASSY., REAR	1		
05	413325	ABSORBER ASSY., SHOCK, REAR	1		
06	GA556WS06	WASHER, SPRING 10.2X3.7X2.5t	1		
07	S20052	BOLT, FLANGE M10X1.25X40L	1		
08	GA556WS04	SPRING WASHER 8.2X3.2X2t	1		
09	GA558SC03	BOLT, HEX. HEAD M8X35	1		
10	S70618	BOLT M6X35	2		
11	GA556WS02	WASHER	2		
12	GA552NT01	NUT, SPRING M4	2		
13	GA552SC11	SCREW, TAPPING M4X16	2		
14	GA552WS05	WASHER 5.2X10X0.8	1		
15	W10501	SPRING WASHER	1		
16	GA552NT05	NUT, FLANGE M5	1		
17	S24603	BOLT, FLANGE M6x16	1		
18	GA510SC10	SCREW, HEX. HEAD M5X20	1		
19	W99605	WASHER	1		
20	GA554NT04	NUT, FLANGE M6xP1.0	1		

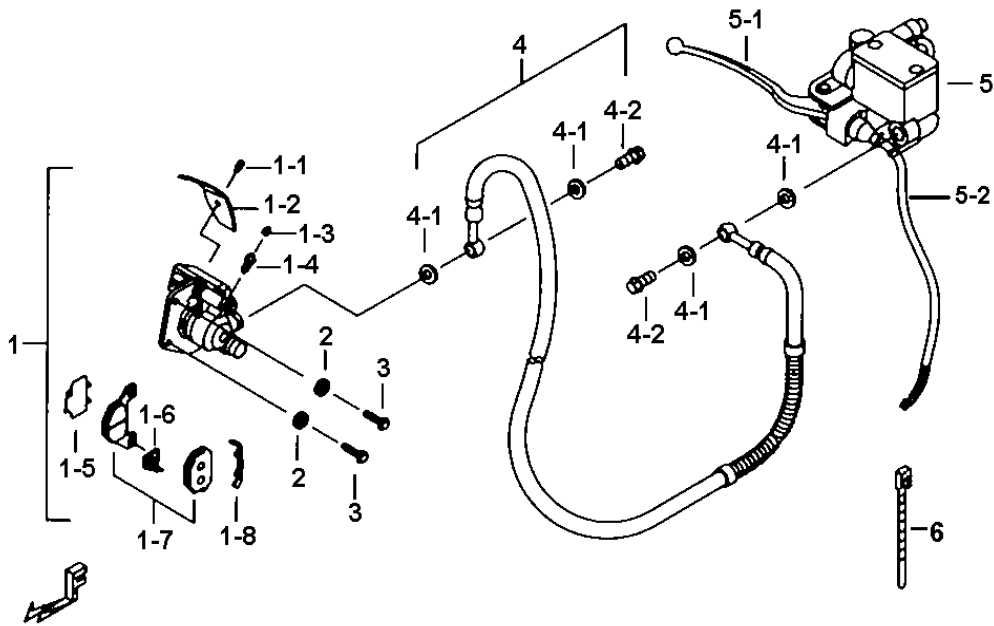
34

## REAR WHEEL

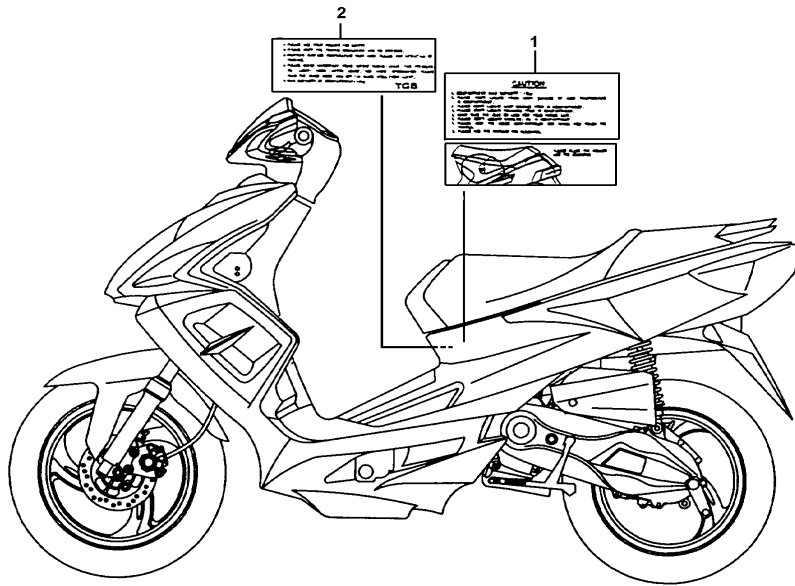
BM8



ITEM	PART NO	DESCRIPTION	Q'TY	AMEND	NOTE
01	413401YPA	RIM COMP.3.5-13 (AL)(BLACK)	1		OPTION
01B	413401BYPA	RIM COMP.3.5-13 (AL)(BLK/RED LINE)	1		OPTION
02	412900-S	TIRE 130/60-13	1		
03	GF5299901	INLET COMP., AIR	1		
04	413428	COLLAR	1		
05	413427	BASE, BRAKE	1		
06	410200Y	DISC, BRAKE 220mm	1		
06A	412960Y	WAVE BRAKE DISC 220mm	1		OPTION
07	413426	REAR FORK ASSY.	1		
07-1	412918	BEARING	1		
07-2	R01001	RETAINER RING, C TYPE	1		
08	412921	COLLAR	1		
09	GA558NT03	NUT, SELFLOCK M16X14	1		
10	413417	CLAMP	2		
11	S20603	BOLT, FLANGE M6X12	2		
12	S72001	SCREW, SOCKET	4		
13	GA556WS04	SPRING WASHER 8.2X3.2X2t	2		
14	S20809	BOLT, FLANGE M8X55	2		



ITEM	PART NO	DESCRIPTION	Q'TY	AMEND	NOTE
01	413602RD	CALLIPER(REDF)	1		
01-1	S43501	BOLT	1		
01-2	413607	DUST COVER	1		
01-3	GA559RB01	CAP, GUARD	1		
01-4	GA559SC01	BOLT, FLANGE	1		
01-5	413608	PLATE, WASHER	1		
01-6	413609	SPRING PLATE	1		
01-7	515364	PAD ASSY.	1		
01-8	413611	SPRING PLATE	1		
02	W99805	WASHER	2		
03	GA558SC03	BOLT, HEX. HEAD M8X35	2		
04	413627	HOSE ASSY., FRONT BRAKE	1		
04-1	GA559WS04	WASHER, 10.2X15X1.2t	4		
04-2	S21001	OIL BOLT M10X1.25X22L	2		
05	413654SW	MASTER CYLINDER(SILVER WHITE)	1		
05-1	401020SW	LEVER, HANDLE BAR(SILVER WHITE)	1		
05-2	414039	LIMITED SWITCH ASSY.	1		
06	GA510SR01	CLAMP L150	1		



ITEM	PART NO	DESCRIPTION	Q'TY	AMEND	NOTE
01	GF523TH05	LABEL, LUGGAGE BOX	1		
02	459157	LABEL, WARNING	1		