

# Bellavita 300i

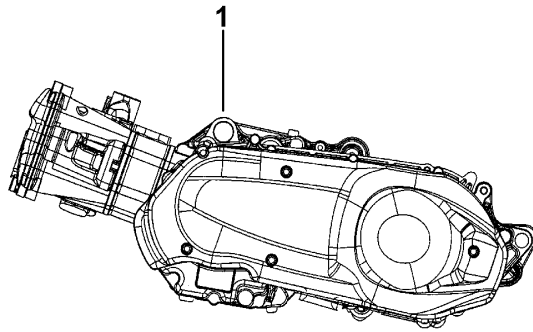
*To return to this index click on main picture*

<b>Section</b>	<b>Description</b>	<b>Section</b>	<b>Description</b>
0	<a href="#">Engine</a>	20	<a href="#">Stand</a>
1	<a href="#">Cylinder Head Cover</a>	21	<a href="#">Fuel Tank</a>
2	<a href="#">Cylinder Head Assy</a>	22	<a href="#">Seat</a>
2-01	<a href="#">Injection System</a>	23	<a href="#">Additions of Side Cover</a>
3	<a href="#">Cylinder Comp, Crankshaft</a>	24	<a href="#">Windshield</a>
4	<a href="#">Oil Pump</a>	25	<a href="#">Front Leg Shield</a>
5	<a href="#">L Crankcase Cover</a>	26	<a href="#">Rear Leg Shield</a>
6	<a href="#">R Crankcase Cover, ACG Assy.</a>	27	<a href="#">Front Fork</a>
7	<a href="#">Right Case Cover</a>	28	<a href="#">Front Fender</a>
8	<a href="#">L Crankcase Comp</a>	29	<a href="#">Front Wheel</a>
9	<a href="#">Air Cleaner</a>	30	<a href="#">Handle Bar</a>
10	<a href="#">Driven Pulley Moveable Drive Face</a>	31	<a href="#">Handle Bar Cover</a>
11	<a href="#">Transmission Case</a>	32	<a href="#">Handle Bar Switches</a>
12	<a href="#">Exhaust System</a>	33	<a href="#">Rear Fender</a>
13	<a href="#">Radiator Assy.</a>	34	<a href="#">Rear Wheel</a>
14	<a href="#">Battery, Start Mag, Ign Coil, Horn</a>	35	<a href="#">Calliper, Master Cylinder (Front)</a>
15	<a href="#">Wire Harness, Key Set</a>	36	<a href="#">Calliper, Master Cylinder (Rear)</a>
16	<a href="#">Speedometer</a>	37	<a href="#">Labels</a>
17	<a href="#">Head Lamp</a>	38	<a href="#">Cargo Box, Rear Carrier</a>
18	<a href="#">Rear Lamp</a>	39	<a href="#">Windscreen</a>
19	<a href="#">Frame</a>		

0

ENGINE ASSY.

DJC

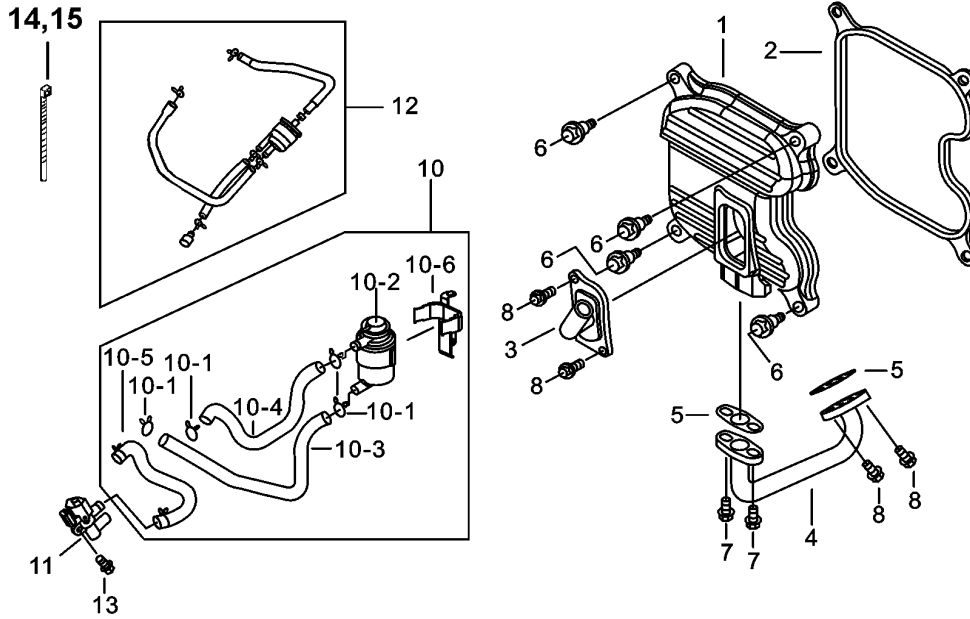


ITEM	PART NO	DESCRIPTION	Q'TY	AMEND	NOTE
01	553040	ENGINE ASSY.	1		

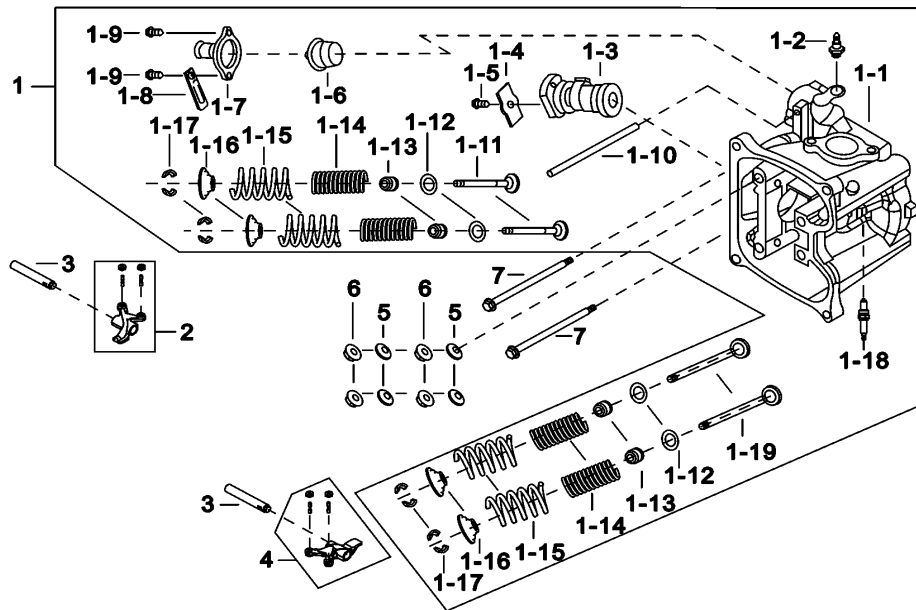
1

CYL HEAD COVER, BREATHER CHAMBER ASSY.

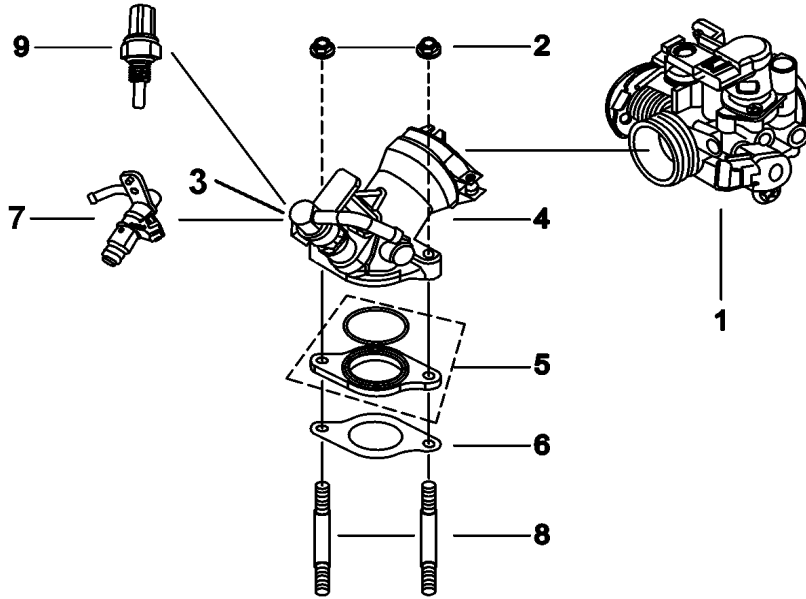
DJC



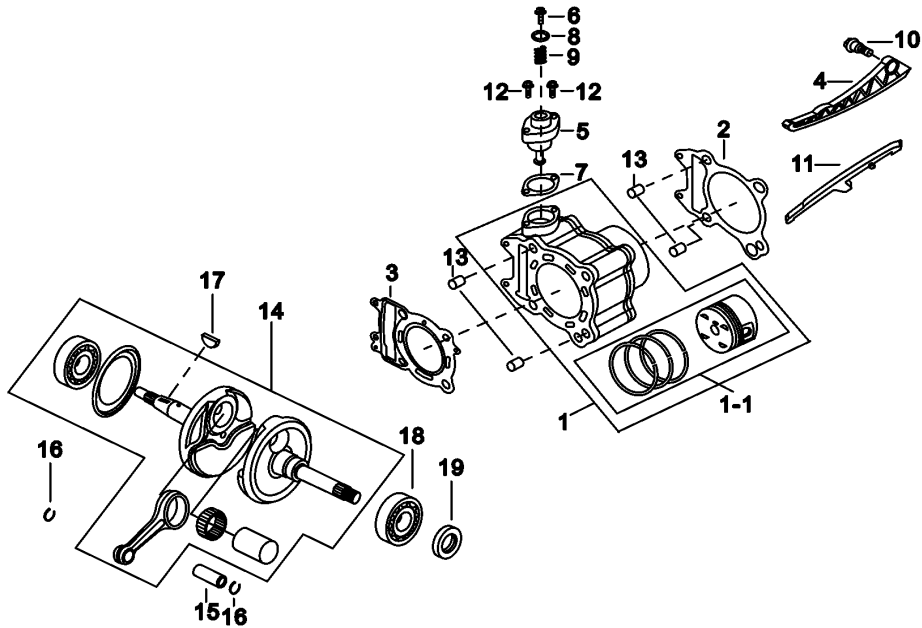
ITEM	PART NO	DESCRIPTION	Q'TY	AMEND	NOTE
01	923032	HEAD COVER	1		
02	923031	HEAD COVER PACKING	1		
03	923605	REED VALVE COMP	1		
04	552404	AIR PIPE COMP.	1		
05	923058	AIR PIPE GASKET	2		
06	923255	HEAD COVER BOLT	4		
07	552434	SH. FLANGE BOLT 6X14	2		
08	923064	FLANGE BOLT SH 6x16	4		
10	552632A	A.I.A.C. ASSY.	1		
10-1	552627	BREATHER TUBE CLIP	4		
10-2	552628	A.I.A.C. COMP.	1		
10-3	552629	A.I.C.V. TUBE A	1		
10-4	552630A	A.I.C.V. TUBE B	1		
10-5	552631A	A.I.C.V. REED VALVE JOINT TUBE	1		
10-6	552633	A.I.C.V. STAY	1		
11	923768	A.I.S.V. ASSY.	1		
12	553314	BREATHER CHAMBER ASSY.	1		
13	GA555SC05	BOLT, OUTLET M6X1.0X16L	1		
14	GA510SR02	CLAMP L200	1		
15	400535	CLAMP L300	1		



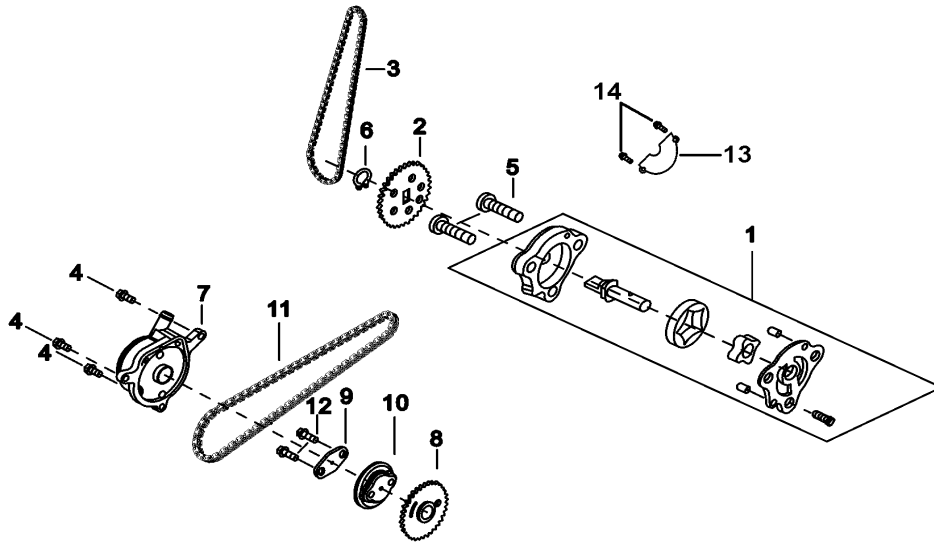
ITEM	PART NO	DESCRIPTION	Q'TY	AMEND	NOTE
01	553012	CYLINDER HEAD ASSY.	1		
01-1	553001	CYLINDER HEAD COMP.	1		
01-10	552428	THERMOSTAT TUBE ASSY.	1		
01-11	923047	IN. VALVE	2		
01-12	923052	VALVE SPRING SEAT	4		
01-13	552438	VALVE STEM SEAL	4		
01-14	923050	VALVE INNER SPG.	4		
01-15	923049	VALVE OUTER SPG.	4		
01-16	552423	VALVE SPRING RETAINER	4		
01-17	923053	VALVE COTTER SET	8		
01-18	923066	SPARK PLUG (CR8E)	1		
01-19	923048	EX. VALVE	2		
01-2	923067	THERMO UNIT ASSY	1		
01-3	552413	CAM SHAFT COMP.	1		
01-4	923046	CAM SHAFT SETTING PLATE	1		
01-5	552434	SH. FLANGE BOLT 6X14	1		
01-6	923059	THERMOSTAT ASSY.	1		
01-7	923060	THERMOSTAT COVER COMP	1		
01-8	923129	CLAMP	1		
01-9	923064	FLANGE BOLT SH 6x16	2		
02	553002	IN. VALVE ROCKER ARM ASSY.	1		
03	923045	ROCKER ARM SHAFT	2		
04	553003	EX. VALVE ROCKER ARM ASSY.	1		
05	923061	SEALING WASHER 10.5MM	4		
06	923062	FLANGE NUT 10MM	4		
07	923065	FLANGE SH BOLT 6x90	2		



ITEM	PART NO	DESCRIPTION	Q'TY	AMEND	NOTE
01	552442	THROTTLE BODY ASSY.	1		
02	923270	NUT FLANGE 6MM	2		
03	552444	FUEL INJECTOR CUP	1		
04	552443	INLET PIPE ASSY	1		
05	552441	CARB. INSULATOR ASSY.	1		
06	552440	CARB. INSULATOR GASKET	1		
07	552439	FUEL INJECTOR	1		
08	923107	CYLINDER STUD BOLT B	2		
09	552445	TW SENSOR	1		



ITEM	PART NO	DESCRIPTION	Q'TY	AMEND	NOTE
01	553004A	CYLINDER ASSY.	1		
01-1	553006	PISTON COMP	1		
02	923075	CYLINDER GASKET	1		
03	553005	CYLINDER HEAD GASKET	1		
04	552451	CAM CHAIN TENSIONER	1		
05	923078	TENSIONER LIFTER ASSY.	1		
06	923082	ADJUSTER BOLT	1		
07	923079	TENSIONER LIFTER GASKET	1		
08	923081	O-RING	1		
09	923080	ADJUSTER SPRING	1		
10	923083	SCREW	1		
11	552458	CAM CHAIN GUIDE	1		
12	923084	FLANGE SHF BOLT 6x22	2		
13	923085	DOWEL PIN 12x20	4		
14	552594	CRANK SHAFT COMP	1		
15	923168	PISTON PIN	1		
16	923169	PISTON PIN CLIP 17MM	2		
17	923174	WOODRUFF KEY 25x14x4	1		
18	552601	RADIAL BALL BRG. TMB306	1		
19	923164	OIL SEAL TC27x42x7	1		

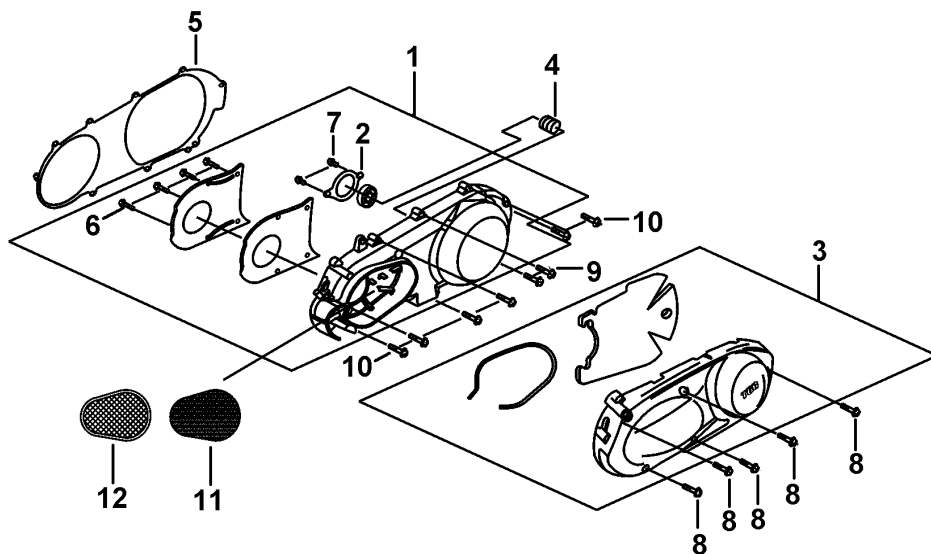


ITEM	PART NO	DESCRIPTION	Q'TY	AMEND	NOTE
01	923243	OIL PUMP ASSY.	1		
02	923251	OIL PUMP DRIVEN SPROCKET	1		
03	923253	OIL PUMP CHAIN 48L	1		
04	923113	FLANGE BOLT SH 6x18	3		
05	923250	PAN SCREW 6x25	2		
06	923252	CIR CLIP EX 10	1		
07	552464	CYL. HEAD SIDE COVER ASSY.	1		
08	552465	CAM SPROCKET	1		
09	923240	CAM SPROCKET WASHER	1		
10	923239	CENTRIFUGAL DISK	1		
11	552468	CAM CHAIN 100L	1		
12	552469	BOLT HEX 6X16	2		
13	553013	OIL SEPARATER	1		
14	923126	FLANGE BOLT SH 6x10	2		

5

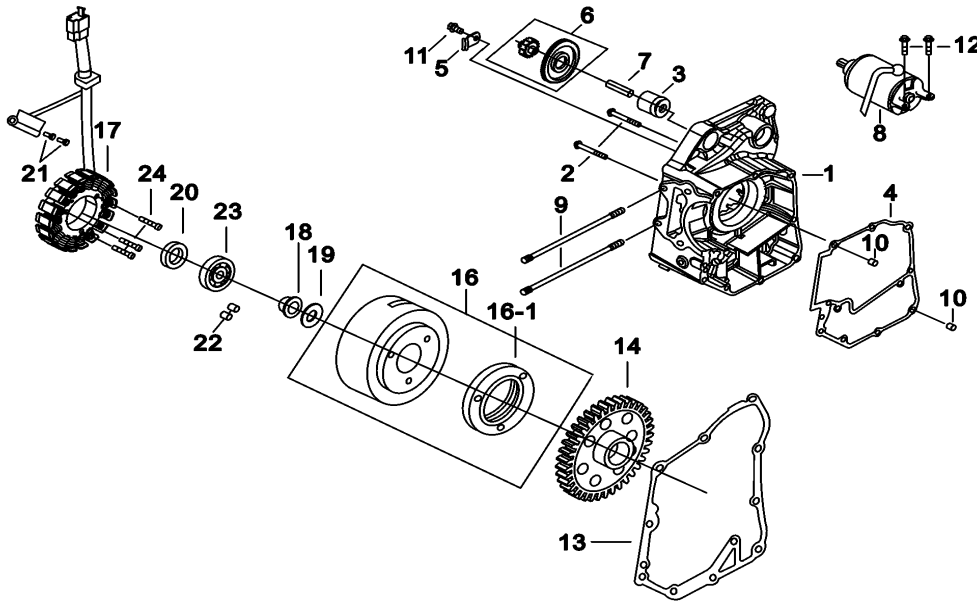
## L. CRANK CASE COVER

DJC

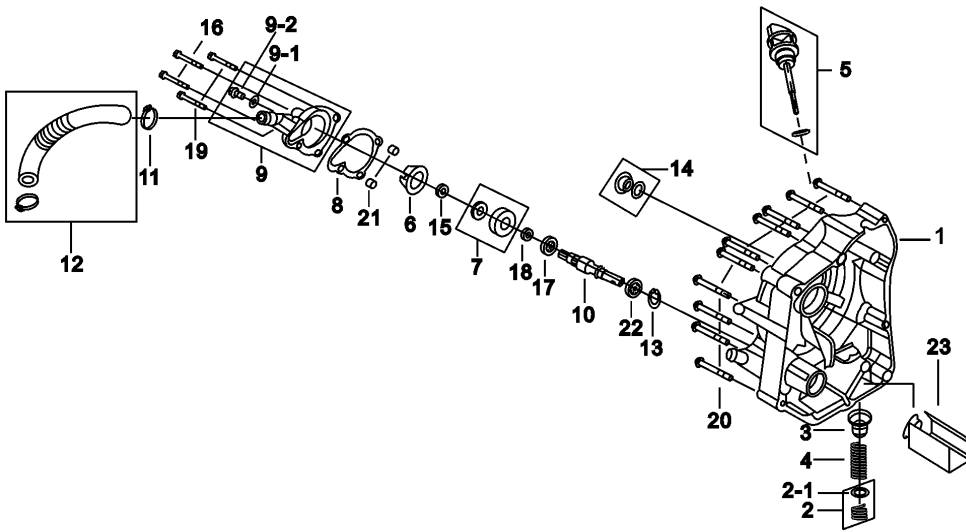


ITEM	PART NO	DESCRIPTION	Q'TY	AMEND	NOTE
01	552615	L. CRANK CASE COVER ASSY.	1		
02	923091	L. BEARING SETTING PLATE	1		
03	553052A	L. OUTER COVER ASSY.	1		
04	923092	BEARING STAY COLLAR ASSY.	1		
05	552620	L. COVER GASKET	1		
06	923096	PAN SCREW 5x12mm	4		
07	923098	SH. FLANGE BOLT 6x12	1		
08	552623	SH. FLANGE BOLT 6X18	5		
09	552624	SH. FLANGE BOLT 6X30mm	2		
10	923099	FLANGE SH BOLT 6x35	6		
11	552690	L COVER ELEMENT	1		
12	552700	TRAP COMP	1		

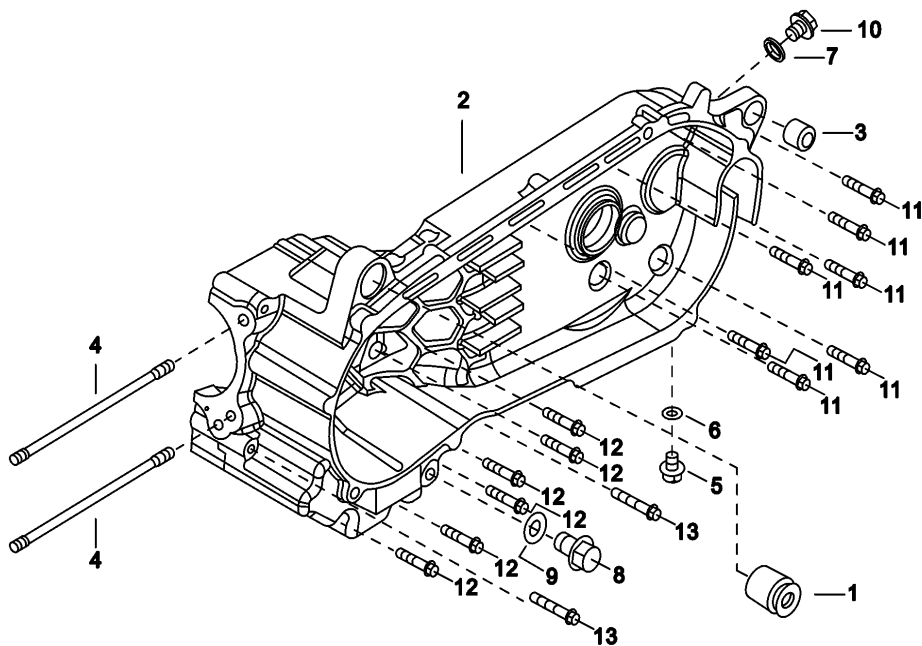




ITEM	PART NO	DESCRIPTION	Q'TY	AMEND	NOTE
01	552483	R. CRANK CASE COMP.	1		
02	923128	BOLT FLANGE SH 6x55	2		
03	552525	ENGINE HANGER BUSH ASSY.	1		
04	552485	CRANK CASE GASKET	1		
05	552486	CAM CHAIN SETTING PLATE	1		
06	552487	STAR. REDUCTION GEAR COMP.	1		
07	552488	STA. REDUCTION GEAR SHAFT	1		
08	552489	START MOTOR ASSY	1		
09	923125	CYLINDER STUD BOLT A	2		
10	923097	DOWEL PIN 8x14	2		
11	923126	FLANGE BOLT SH 6x10	1		
12	923127	FLANGE BOLT SH 6x22	2		
13	552471	R. COVER GASKET	1		
14	923258	STARTING CLUTCH GEAR COMP	1		
16	552474	FLYWHEEL COMP	1		
16-1	923411	ONE WAY CLUTCH ASSY.	1		
17	553758	STATOR COMP.	1		
18	552564	FLANGE NUT 14MM	1		
19	923260	THRUST WASHER 14x28x2	1		
20	552478	OIL SEAL TC12X22X5	1		
21	923261	PAN SCREW 5x16	2		
22	923097	DOWEL PIN 8x14	2		
23	923414	RADIAL BALL BRG. 6201LUC3	1		
24	S24610	BOLT, FLANGE M6X40	3		



ITEM	PART NO	DESCRIPTION	Q'TY	AMEND	NOTE
01	552497	R. CASE COVER COMP.	1		
02	923131	TAPPET ADJ HOLE CAP ASSY.	1		
02-1	923132	O-RING 30.8MM	1		
03	923136	OIL FILTER SCREEN	1		
04	923135	OIL FILTER SCREW SPG.	1		
05	552501	OIL LEVEL GAUGE ASSY.	1		
06	923140	WATER PUMP IMPELLER	1		
07	923142	MECHANICAL SEAL	1		
08	923143	WATER PUMP GASKET	1		
09	552505	WATER PUMP COVER ASSY.	1		
09-1	552512	WASHER A 6MM	1		
09-2	552520	SH. FLANGE BOLT 6X10	1		
10	923145	WATER PUMP SHAFT	1		
11	923150	WATER HOSE CLAMP A	1		
12	552508	WATER HOSE ASSY.	1		
13	923152	CIR CLIP IN 26	1		
14	923148	ACG. CAP ASSY. 14MM	1		
15	923141	WASHER 7.2x13x1.2	1		
16	923127	FLANGE BOLT SH 6x22	2		
17	923146	RADIAL BALL BRG.6901	1		
18	923147	OIL SEAL 12x20x5	1		
19	923153	FLANGE SH BOLT 6x32	2		
20	923154	FLANGE BOLT SH 6x45	10		
21	923097	DOWEL PIN 8x14	2		
22	923151	RADIAL BALL BRG. 6000	1		
23	923609	MAGNET PLATE	1		

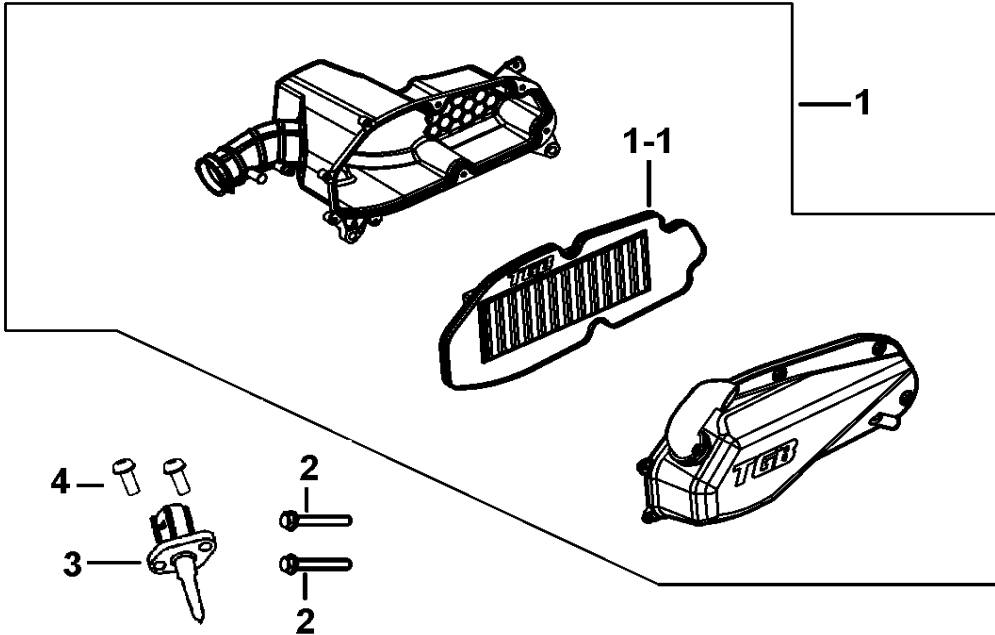


ITEM	PART NO	DESCRIPTION	Q'TY	AMEND	NOTE
01	552525	ENGINE HANGER BUSH ASSY.	1		
02	552526	L. CRANK CASE COMP.	1		
03	552528	RR. CUSH. RUBBER BUSH	1		
04	923107	CYLINDER STUD BOLT B	2		
05	552531	SPECIAL BOLT 8MM	1		
06	923231	WASHER 8MM	1		
07	552533	PLAIN 10.2mm WASHER	1		
08	552534	DRAIN PLUG BOLT 12MM	1		
09	923111	DRAIN PLUG WASHER 12MM	1		
10	552536	FLANGE BOLT 10*12mm	1		
11	552537	FLANGE BOLT M8X50	7		
12	923114	FLANGE SH BOLT 6x50	6		
13	923115	SH. FLANGE BOLT 6x70mm	2		

9

## AIR CLEANER ASSY.

DJC

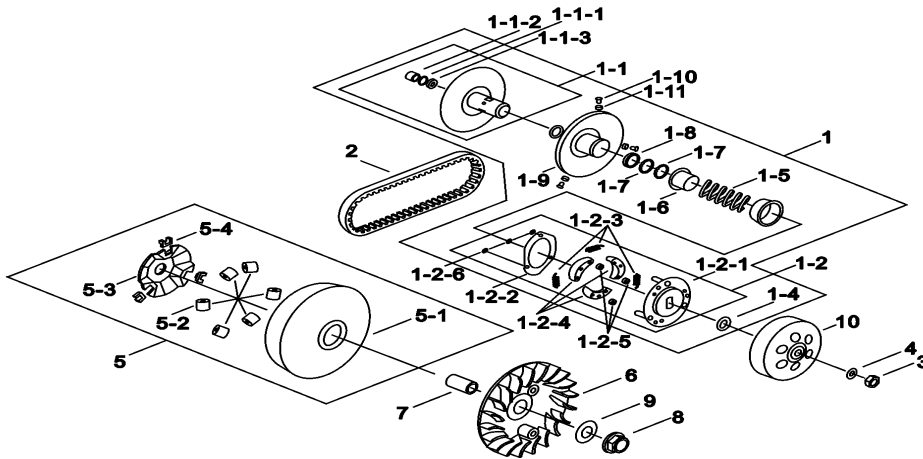


ITEM	PART NO	DESCRIPTION	Q'TY	AMEND	NOTE
01	553064	AIR/C ASSY.	1		
01-1	553055	AIR/C ELEMENT COMP	1		
02	S24607	BOLT, FLANGE M6X32	2		
03	552822	INTAKE TEMPERATURE SENSOR	1		
04	553761	BOLT	2		

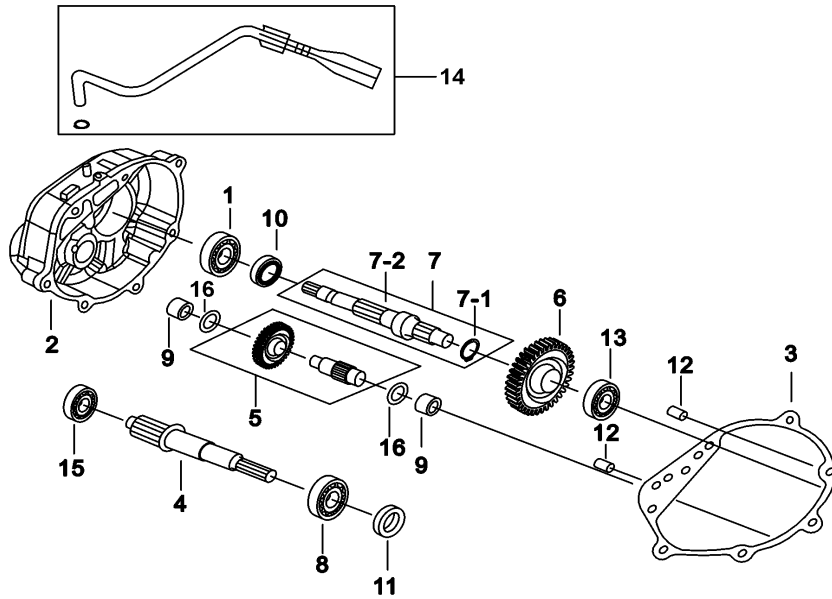
10

## DRIVEN PULLEY, MOVABLE DRIVE FACE

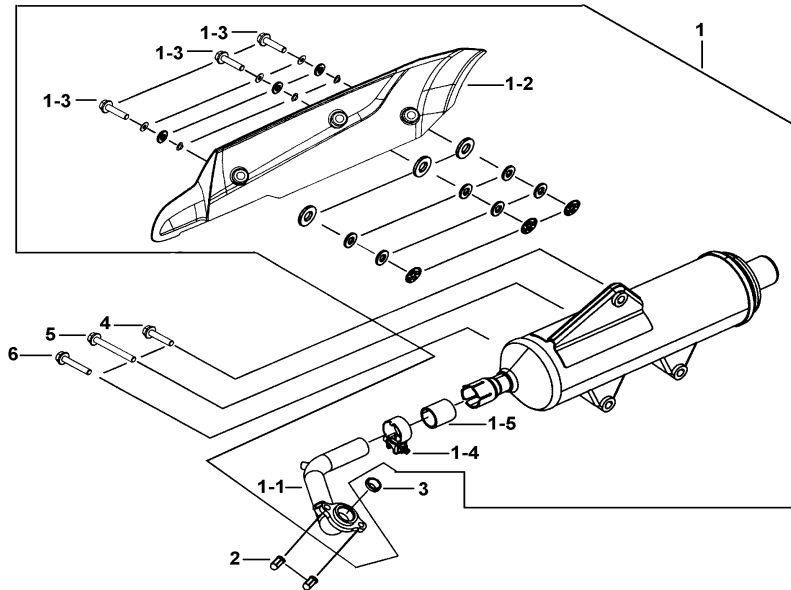
DJC



ITEM	PART NO	DESCRIPTION	Q'TY	AMEND	NOTE
01	552557	DRIVEN PULLEY ASSY.	1		
01-1	552558	DRIVEN FACE ASSY.	1		
01-10	552560	ROLLER GUIDE PIN	3		
01-11	552561	GUIDE ROLLER	3		
01-1-1	552567	IN. CIRCLIP	1		
01-1-2	552568	NEEDLE BRG HKS25X32X14	1		
01-1-3	552569	RADIAL BALL BRG. 6903LU	1		
01-2	552551	DRIVE PLATE ASSY.	1		
01-2-1	552552	DRIVE PLATE COMP.	1		
01-2-2	552553	CLUTCH SIDE PLATE	1		
01-2-3	552554	CLUTCH SPRING	3		
01-2-4	552555	CLUTCH WEIGHT	1		
01-2-5	552556	CLUTCH DAMPER RUBBER	3		
01-2-6	552572	E-RING 8	3		
01-4	552565	SPECIAL NUT 36MM	1		
01-5	552562	DRIVEN FACE SPRING	1		
01-6	552563	SEAL COLLAR	1		
01-7	552571	O-RING 47X2.0	2		
01-8	552570	OIL SEAL TC41X48X4	2		
01-9	552559	MOVABLE DRIVEN FACE COMP.	1		
02	553009	DRIVE BELT	1		
03	552564	FLANGE NUT 14MM	1		
04	923260	THRUST WASHER 14x28x2	1		
05	552540	MOVABLE DRIVE FACE ASSY.	1		
05-1	552543	MOVABLE DRIVE FACE COMP.	1		
05-2	552544	WEIGHT ROLLER COMP.(18g)	6		
05-3	552545	RAMP PLATE	1		
05-4	552546	SLIDE PIECE	3		
06	552541	DRIVE FACE	1		
07	552542	DRIVE FACE BOSS	1		
08	552564	FLANGE NUT 14MM	1		
09	923260	THRUST WASHER 14x28x2	1		
10	552550	CLUTCH OUTER	1		



ITEM	PART NO	DESCRIPTION	Q'TY	AMEND	NOTE
01	923205	RADIAL BALL BEARING 6205LLU	1		
02	553010	MISSION CASE	1		
03	552575	MISSION CASE GASKET	1		
04	552576	DRIVE SHAFT	1		
05	552577	COUNTER SHAFT COMP.	1		
06	552578	FINAL GEAR	1		
07	552579	FINAL SHAFT ASSY.	1		
07-1	923202	EX. CIRCLIP 25	1		
07-2	552591	FINAL SHAFT	1		
08	552580	RADIAL BALL BRG. CSB205 JR2C3	1		
09	553011	NEEDLE BRG. HK1516	2		
10	552582	OIL SEAL TC34X52X5	1		
11	923229	OIL SEAL TC25x40x7	1		
12	923097	DOWEL PIN 8x14	2		
13	923184	RADIAL BALL BRG. 6204	1		
14	552687	MISSION BREATHER TUBE ASSY.	1		
15	552592	RADIAL BALL BEARING 6302	1		
16	552593	THRUST WASHER 15MM	2		

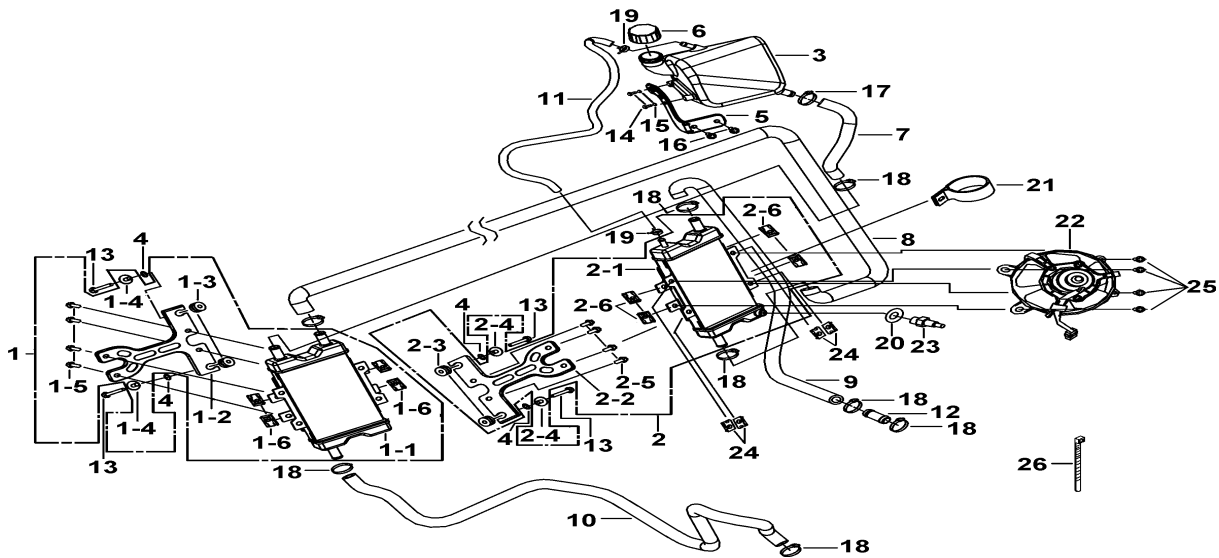


ITEM	PART NO	DESCRIPTION	Q'TY	AMEND	NOTE
01	553030	EXH. MUFFLER ASSY.	1		
01-1	553311	PIPE, MUFFLER	1		
01-2	553312	MUFFLER PROTECTOR COMP.	1		
01-3	553317	SCREW SET, MUFFLER COVER	3		
01-4	553310	CLIP	1		
01-5	553309	GASKET, PLUMBAGO	1		
02	N12802	NUT, OVAL HEAD 8 mm	2		
03	923010	GASKET, EXHAUST PIPE	1		
04	S20029	SH. FLANGE BOLT M10X45L	1		
05	S20030	SH. FLANGE BOLT M10X75L	1		
06	S20017	SH. FLANGE BOLT M10X60L	1		

13

## RADIATOR ASSY.

DJC



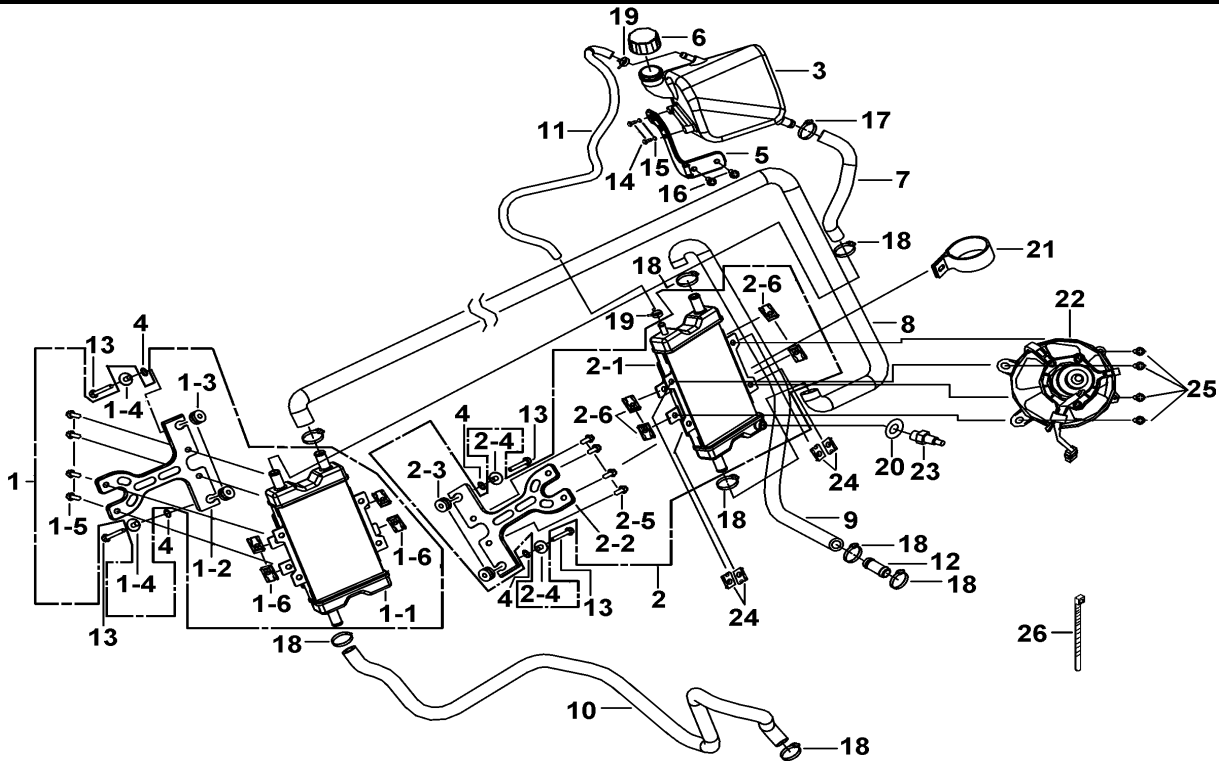
ITEM	PART NO	DESCRIPTION	Q'TY	AMEND	NOTE
01	553014	RADIATOR ASSY. (A)	1		
01-1	553014C	RADIATOR (A)	1		
01-2	553017	BRACKET, RADIATOR	1		
01-3	553018	RUBBER BUSH	2		
01-4	553019	PIN	2		
01-5	553316	BOLT, FLANGE M6	4		
01-6	553315	NUT, SPRING	4		
02	553015	RADIATOR ASSY. (B)	1		
02-1	553015C	RADIATOR (B)	1		
02-2	553017	BRACKET, RADIATOR	1		
02-3	553018	RUBBER BUSH	2		
02-4	553019	PIN	2		
02-5	553316	BOLT, FLANGE M6	4		
02-6	553315	NUT, SPRING	4		
03	553020	RESERVE TANK	1		
04	W99005	WASHER 2t	4		
05	553298	BRACKET, RESERVE TANK	1		
06	923802	RESERVE TANK CAP	1		
07	553299	HOSE, RESERVE TANK	1		
08	553027	CONNECTING HOSE	1		
09	553022	WATER INLET HOSE	1		
10	553300	WATER OUTLET HOSE	1		
11	553076	BREATH HOSE	1		
12	923809	PIPE	1		



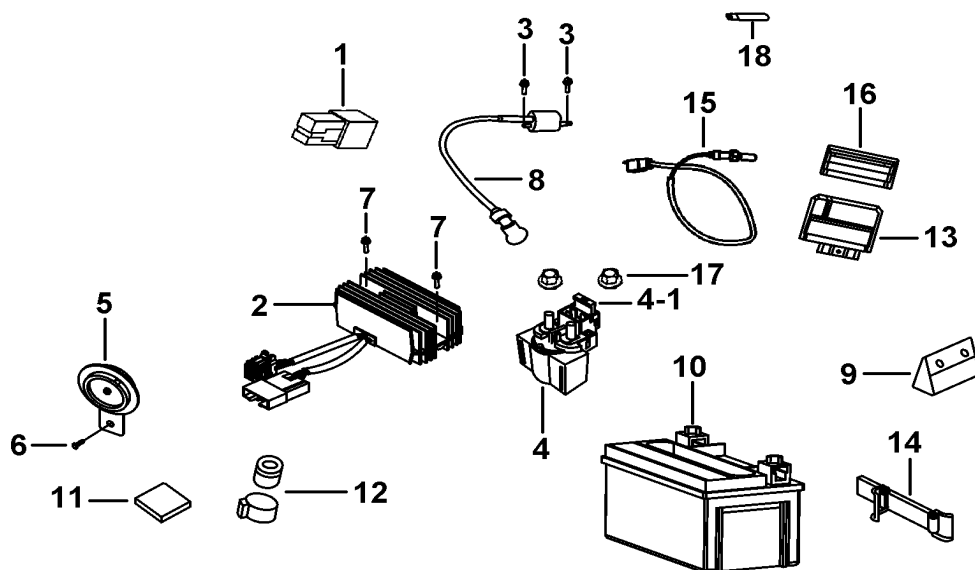
13-1

## RADIATOR ASSY.

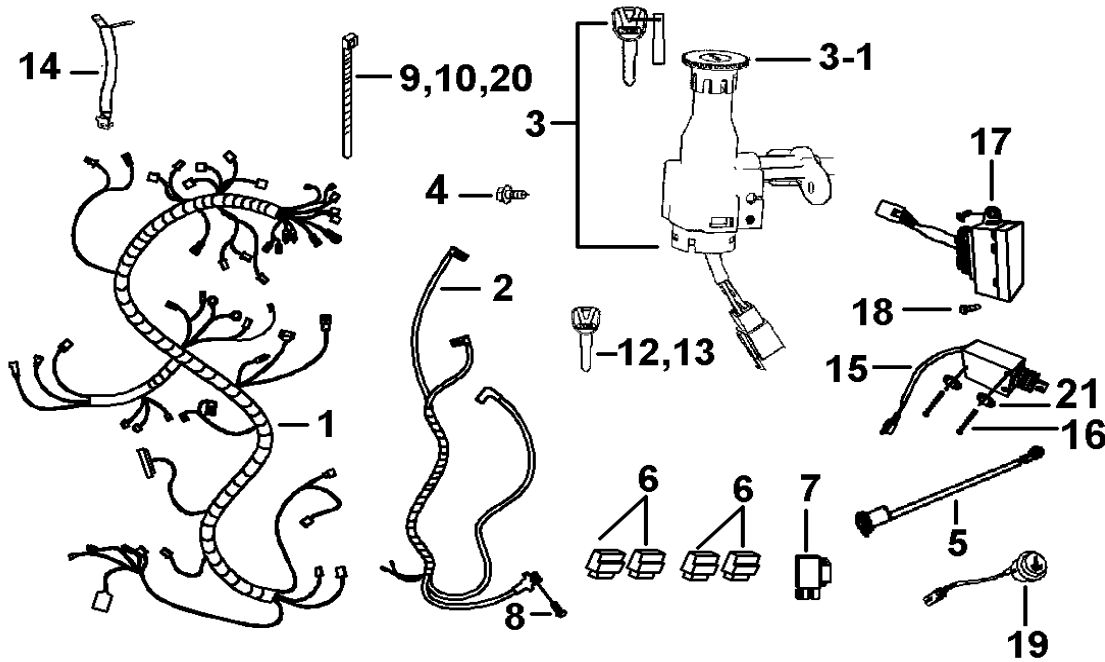
DJC



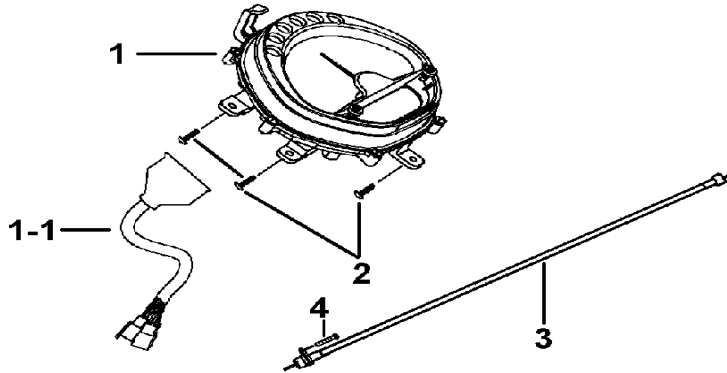
ITEM	PART NO	DESCRIPTION	Q'TY	AMEND	NOTE
13	S20617	BOLT, FLANGE M6X25	4		
14	S50501	SCREW, OVAL HEAD M5X12L	2		
15	W99602	WASHER 6.5X12X1.0	2		
16	S07601	BOLT, FLANGE M6X16 (Dark Green)	2		
17	R60202	CLIP 20	1		
18	923810	WATER HOSE CLAMP A	9		
19	R40201	CLIP	2		
20	W99013	WASHER	1		
21	553318	CLIP " P "	1		
22	553016	COOLING FAN	1		
23	924910	SWITCH, COOLING FAN	1		
24	N32601	NUT, SPRING	4		
25	GA555SC05	BOLT, OUTLET M6X1.0X16L	4		
26	400535	CLAMP L300	4		



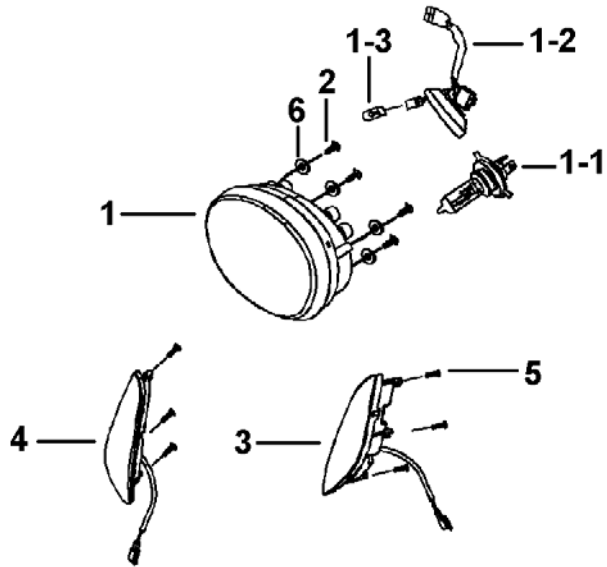
ITEM	PART NO	DESCRIPTION	Q'TY	AMEND	NOTE
01	923755	HAZARD UNIT	1		
02	553756	RECTIFIER	1		
03	S70607	SCREW, SOCKET HEAD M6X20	2		
04	925805	START MAG. SET	1		
04-1	552813	FUSE, 30A	1		
05	440809	HORN COMP	1		
06	GA556SC01	BOLT, FLANGE M6X1.0X12L	1		
07	S70609	SCREW, SOCKET HEAD M6x16	2		
08	923773A	IGN COIL ASSY	1		
09	924446	TOOL BAG	1		
10	923400A	BATTERY 12V 12AH	1		
11	GF514TH02	CUSHION	2		
12	553735	RELAY, TURN SIGNAL	1		
13	552853	ECU	1		
14	GF5140001	BAND	1		
15	923767	O2 SENSOR	1		
16	923769	ECU SUSPENSION	1		
17	GA554NT04	NUT, FLANGE M6xP1.0	2		
18	514410	CLAMP	1		



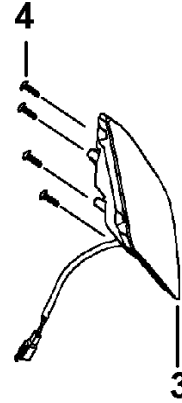
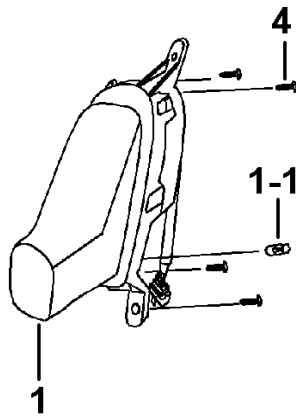
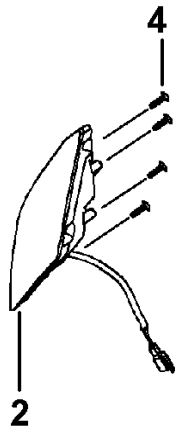
ITEM	PART NO	DESCRIPTION	Q'TY	AMEND	NOTE
01	553700	WIRE HARNESS	1		
02	553741	HARNESS STARTING, EARTH	1		
03	553732	KEY SET	1		
03-1	440996	CAP, INDICATOR	1		
04	S71603	BOLT, BREAKABLE, HEX. HEAD M6X16	2		
05	925873	POWER SOURCE	1		
06	923759	RELAY, CONTROL	4		
07	GA5100004A	RELAY	1		
08	GA555SC05	BOLT, OUTLET M6X1.0X16L	1		
09	GA510SR01	CLAMP L150	5		
10	400535	CLAMP L300	2		
12	440997	BLANK KEY RH.	1		
13	440998	BLANK KEY LH.	1		
14	552854	HARNESS, EARTH (FOR ENGINE)	1		
15	553709	LINEAR MOTOR ASSY.	1		
16	S46402	SCREW OVAL HEAD M4X62	2		
17	553742	FUSE WIRING HARNESS	1		
18	S57501	SCREW, OVAL HEAD, FLANGE M5X16	2		
19	553751	LINEAR MOTOR SWITCH ASSY.	1		
20	GA510SR02	CLAMP L200	2		
21	W99435	WASHER	2		



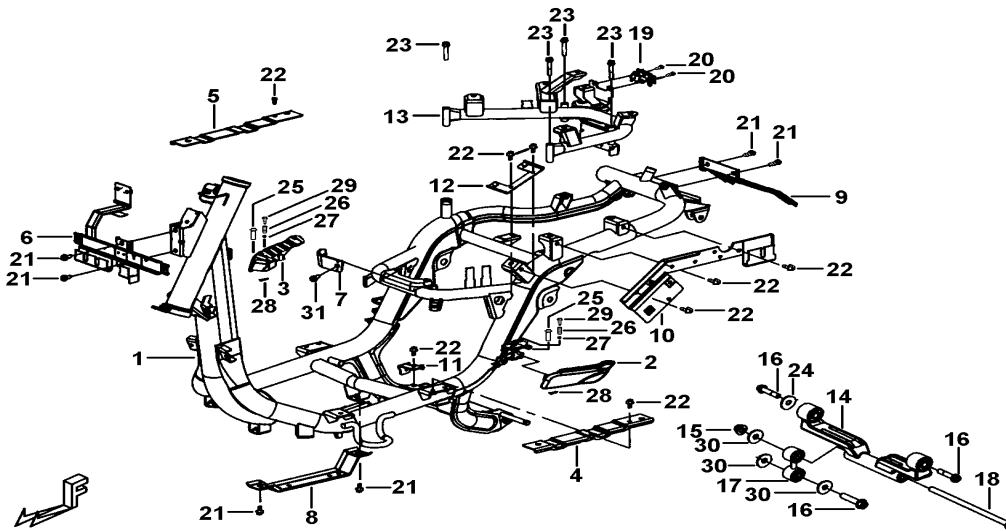
ITEM	PART NO	DESCRIPTION	Q'TY	AMEND	NOTE
01	457173	SPEEDOMETER ASSY.	1		
01-1	553768	SOCKET COMP.	1		
02	GA552SC11	SCREW, TAPPING M4X16	5		
03	411632	CABLE ASSY., SPEEDOMETER	1		
04	S41501	BOLT M5X12	1		



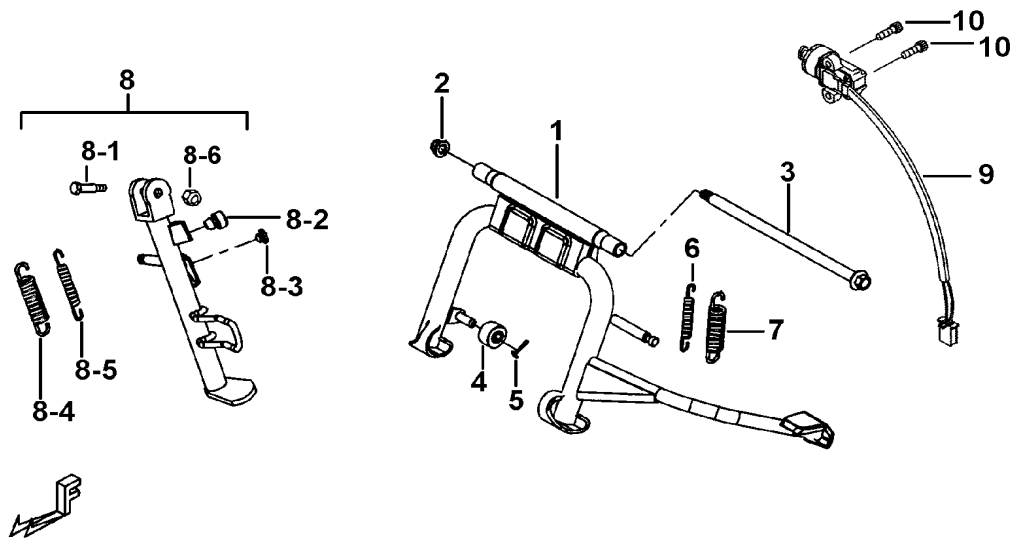
ITEM	PART NO	DESCRIPTION	Q'TY	AMEND	NOTE
01	553779	HEAD LAMP ASSY.	1		
01-1	553769	BULB (12V 55W/60W)	1		
01-2	553770	WIRING ASSY, HEAD LAMP	1		
01-3	553771	BULB 12V 5W	1		
02	S57501	SCREW,OVAL HEAD, FLANGE M5X16	4		
03	450097	TURN SIGNAL LAMP COMP., LH. FRONT	1		
04	450098	TURN SIGNAL LAMP COMP., RH. FRONT	1		
05	GA552SC11	SCREW, TAPPING M4X16	6		
06	W99602	WASHER 6.5X12X1.0	4		



ITEM	PART NO	DESCRIPTION	Q'TY	AMEND	NOTE
01	451072	REAR LAMP ASSY.	1		
01-1	553771	BULB 12V 5W	1		
02	451073	TURN SIGNAL LAMP COMP., LH.	1		
03	451074	TURN SIGNAL LAMP COMP., RH.	1		
04	GA552SC11	SCREW, TAPPING M4X16	12		



ITEM	PART NO	DESCRIPTION	Q'TY	AMEND	NOTE
01	414946	FRAME	1		
02	414940	FOOTREST ASSY., PILLON, LH.	1		
03	414941	FOOTREST ASSY., PILLION, RH.	1		
04	414952	REINFORCEMENT FLOOR COMP., LH.	1		
05	414953	REINFORCEMENT FLOOR COMP., RH.	1		
06	414947	COVER SET. LEG SHIELD, BRACKET	1		
07	414954	FUEL TANK, BRACKET	1		
08	414955	BATTERY, BRACKET	1		
09	414948	COVER SIDE, BRACKET	1		
10	414956	ELECTRICAL, BRACKET	1		
11	414962	BATTERY VALVE, BRACKET	1		
12	414958	IGNITION COIL, BRACKET	1		
13	414949	BRKT COMP., HANDLE	1		
14	414999	ROCKER ARM ASSY., HANGER	1		
15	N25201	NUT, SELFLOCK M12X1.25	1		
16	S20211	BOLT M12X55L	3		
17	414968	LINKING ROD, E/G	1		
18	S20210	BOLT M12X275L	1		
19	411994	LATCH, RH.	1		
20	GA555SC02	SCREW, AN HEAD	2		
21	S20817	BOLT, FLANGE M8X16	6		
22	GA555SC05	BOLT, OUTLET M6X1.0X16L	8		
23	S20809	BOLT, FLANGE M8X55	4		
24	W99220	WASHER	1		
25	P51801	PIN	2		
26	414959	SPRING, COMPRESSION 6X11	2		
27	GF519FE04	BALL 6.35	2		
28	GA551PN01	COTTER PIN 1.5X30	2		
29	S96812	SCREW, SOCKET HEAD M8X6	2		
30	W99221	WASHER	3		
31	S20814	BOLT, FLANGE M8X1.25X20L	1		



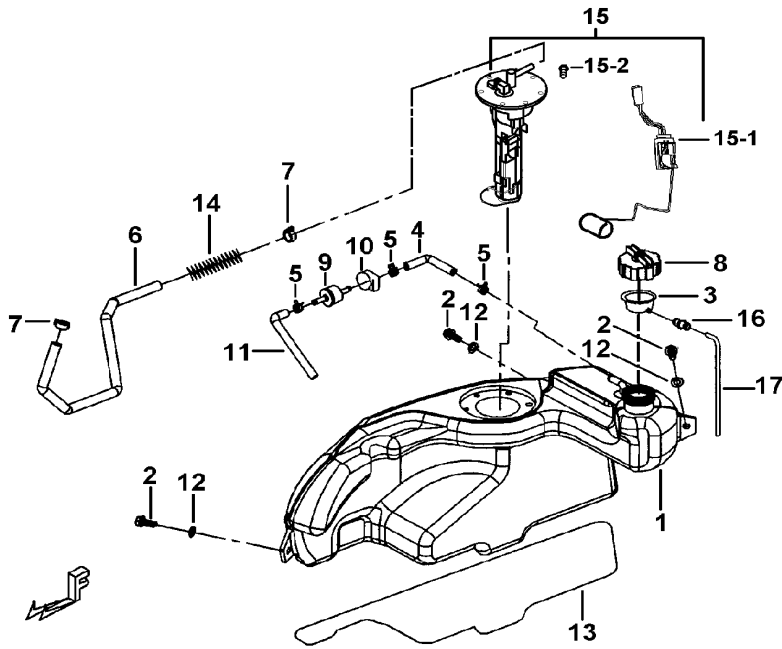
ITEM	PART NO	DESCRIPTION	Q'TY	AMEND	NOTE
01	412090	STAND COMP., MAIN	1		
02	GA551NT01	NUT, SELFLOCK M10X1.25	1		
03	S99005	SHAFT, MAIN STAND	1		
04	412086	CUSHION	1		
05	GA551PN04	PIN, COTTER	1		
06	412062	SPRING	1		
07	412061	SPRING	1		
08	412088A	SIDE STAND COMP.	1		
08-1	S04802	BOLT	1		
08-2	412065	CUSHION	1		
08-3	412091	CUSHION	1		
08-4	412059	SPRING	1		
08-5	412060	SPRING	1		
08-6	GA551NT04	NUT, HEX. HEAD M8	1		
09	553759	SWITCH, SIDE STAND	1		
10	S79501	SCREW, SOCKET HEAD M5x16	2		



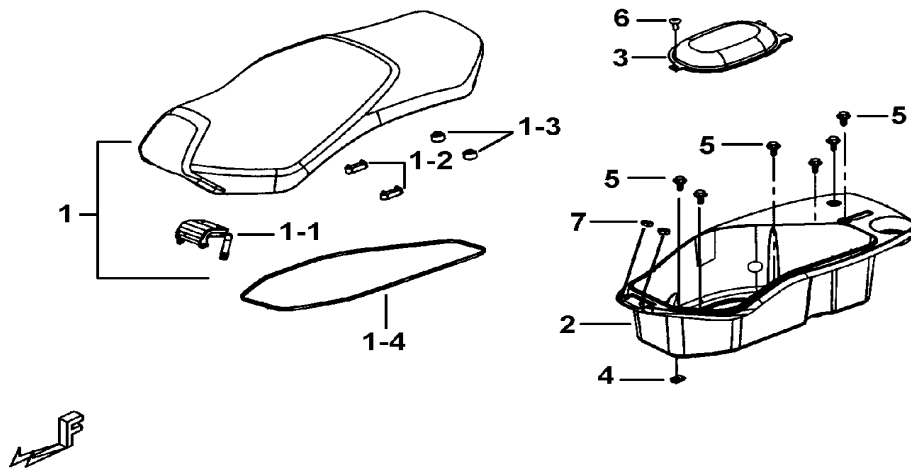
21

## FUEL TANK

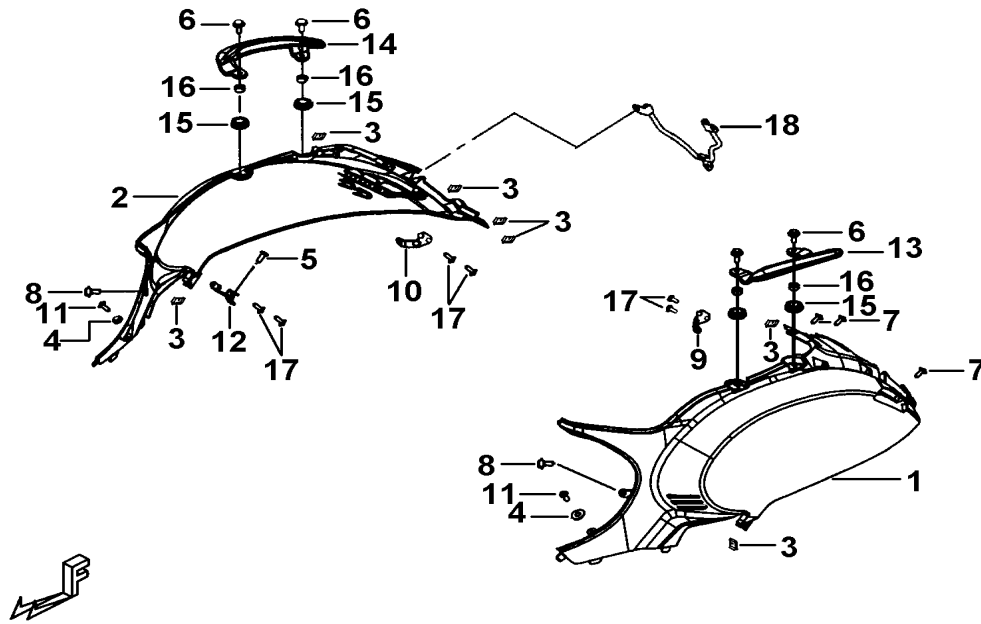
DJC



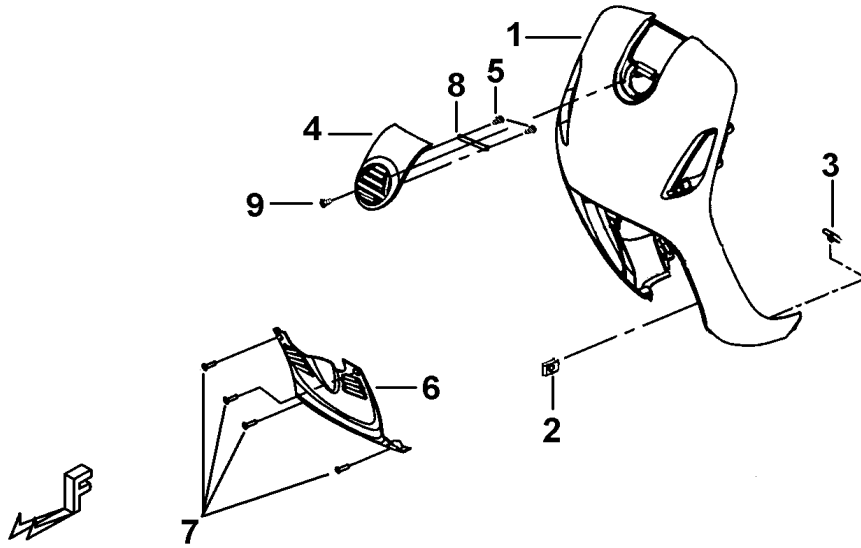
ITEM	PART NO	DESCRIPTION	Q'TY	AMEND	NOTE
01	414132	TANK, FUEL	1		
02	S20814	BOLT, FLANGE M8X1.25X20L	3		
03	414151	FUEL CAP SLEVE	1		
04	414144	HOSE	1		
05	R40001	CLIP	3		
06	414143	HOSE	1		
07	R60205	CLIP	2		
08	414142	CAP COMP., FILLER	1		
09	414148	VALVE	1		
10	516114	BUSH, RUBBER	1		
11	414145	HOSE	1		
12	W99806	WASHER 8.5X16X2	3		
13	414147	HEAT INSULATION	1		
14	414146	SPRING	1		
15	553738	FUEL PUMP ASSY.	1		
15-1	553739A	FUEL UNIT COMP	1		
15-2	553728	FUEL PUMP BOLT	6		
16	924733	TWO THROUGH -HOLE	1		
17	516141	HOSE, VENT	1		



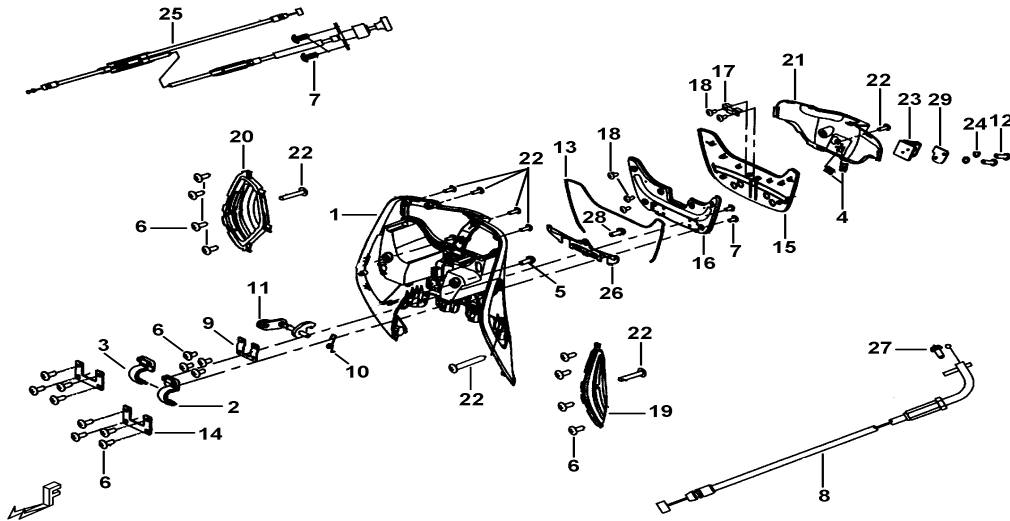
ITEM	PART NO	DESCRIPTION	Q'TY	AMEND	NOTE
01	452139AY	SEAT SET(PALE YELLOW)	1		OPTION
01-1	452122	BRKT, SEAT	1		
01-2	415331	DAMPER, RUBBER	2		
01-3	415330	DAMPER, RUBBER	2		
01-4	415332	ORNAMENTAL, COVER	1		
01A	452139CF	SEAT SET(COFFEE)	1		OPTION
01B	452139BL	SEAT SET (BLACK)	1		OPTION
02	452114	HELMET CASE	1		
03	452115	CAP, HELMET CASE	1		
04	N32601	NUT, SPRING	1		
05	S25602	BOLT M6X16L	6		
06	GA555SC03	SCREW, PAN HEAD M6X16	1		
07	N10601	NUT, FLANGE 6mm	2		



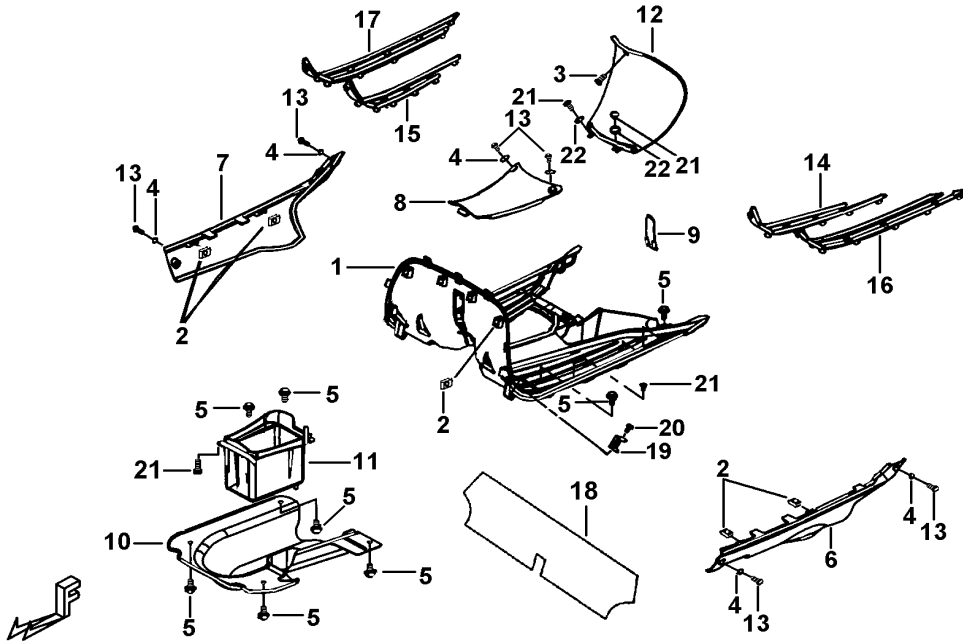
ITEM	PART NO	DESCRIPTION	Q'TY	AMEND	NOTE
01	453085	COVER SIDE, LH	1		
02	453086	COVER SIDE, RH	1		
03	GA552NT01	NUT, SPRING M4	7		
04	GA552WS05	WASHER 5.2X10X0.8	2		
05	S45503	SCREW, AN HEAD M5X12	1		
06	S20802	BOLT, FLANGE M8X30L	4		
07	S51404	SCREW TAPPING M4X12	3		
08	S25602	BOLT M6X16L	2		
09	451077	BACK TURN SIGNAL LAMP BRACKET LH	1		
10	451078	BACK TURN SIGNAL LAMP BRACKET RH	1		
11	GA552SC11	SCREW, TAPPING M4X16	2		
12	453091	COVER SIDE JOIN BRACKET	1		
13	453083	HANDLE, LH	1		
14	453084	HANDLE, RH	1		
15	402129	WASHER, RUBBER	4		
16	402130	SPACER	4		
17	S50401	SCREW TAPPING M4X12	6		
18	414970	BRACKET	1		



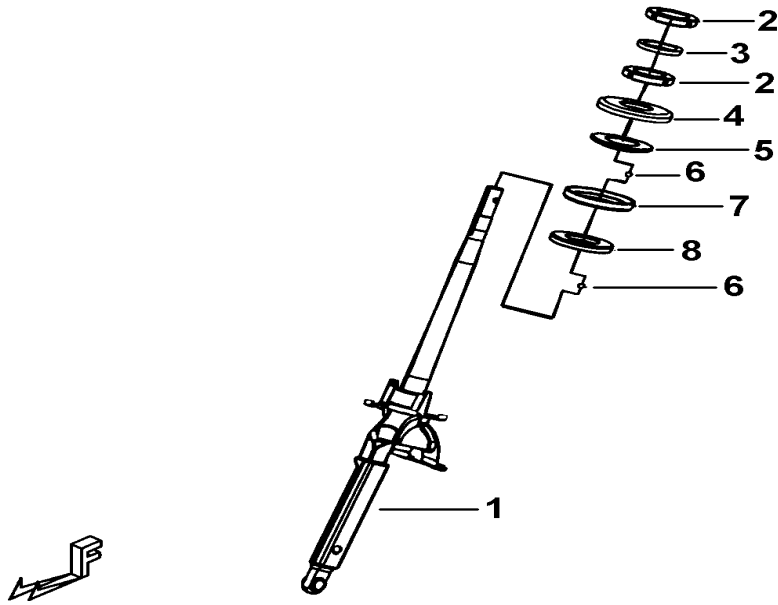
ITEM	PART NO	DESCRIPTION	Q'TY	AMEND	NOTE
01	454074	LEG SHIELD, FRONT	1		
02	GA552NT01	NUT, SPRING M4	6		
03	N32601	NUT, SPRING	2		
04	454090	ORNAMENTAL COVER	1		
05	S51301	BOLT M3X6	2		
06	454085	LEG SHIELD, LOWER	1		
07	S50406	SCREW, TAPPING M4X16	4		
08	412509	ORNAMENTAL METAL	1		
09	S51303	BOLT M3X10	1		



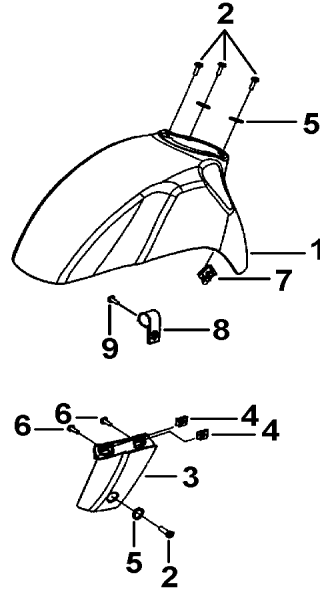
ITEM	PART NO	DESCRIPTION	Q'TY	AMEND	NOTE
01	454077	COVER SET, LEG SHIELD	1		
02	454086	GLOVE BOX FLAP MOUNTING ARM, LH	1		
03	454087	GLOVE BOX FLAP MOUNTING ARM, RH	1		
04	N32501	NUT, SPRING M5	2		
05	S25602	BOLT M6X16L	2		
06	S50401	SCREW TAPPING M4X12	20		
07	S50507	SCREW, TAPPING M5X10	6		
08	414960	GLOVE BOX CABLE	1		
09	412505	GLOVE BOX CATCH	1		
10	412506	GLOVE BOX SRPING	1		
11	412507	FLAP LOCKER	1		
12	S72504	BOLT M5X20	2		
13	454095	ORNAMENTAL, COVER	1		
14	454059	FIXED PLATE	2		
15	454078	GLOVE BOX DOOR	1		
16	454079	GLOVE BOX TRAY	1		
17	412504	LOCK PLATE	1		
18	S50402	SCREW, TAPPING M4X10	8		
19	454091	CONVEYING VENT, LH	1		
20	454092	CONVEYING VENT, RH	1		
21	454080	FRONT, LUGGAGE BOX GARMISH	1		
22	GA552SC11	SCREW, TAPPING M4X16	13		
23	454028	HOOK LUGGAGE	1		
24	W99525	WASHER	2		
25	414961	SEAT OPENING CABLE	1		
26	454083	GLOVE BOX INNER	1		
27	S41501	BOLT M5X12	1		
28	S25603	BOLT	1		
29	414971	BRACKET	1		



ITEM	PART NO	DESCRIPTION	Q'TY	AMEND	NOTE
01	455066	LEG SHIELD, REAR	1		
02	GA552NT01	NUT, SPRING M4	16		
03	S45503	SCREW, PAN HEAD M5X12	1		
04	W99541	WASHER	6		
05	S25602	BOLT M6X16L	12		
06	455079	LEG SHIELD, LOWER, LH.	1		
07	455080	LEG SHIELD, LOWER, RH.	1		
08	455071	LID, BATTERY	1		
09	455075	COVER SET, LEG SHIELD, SMALL	1		
10	455074	FENDER REAR, TANK FUEL	1		
11	455076	BATTERY SEAT	1		
12	453087	CAP, HELMET CASE	1		
13	S50406	SCREW, TAPPING M4X16	6		
14	455067	RUBBER MAT, INNER, LH	1		
15	455068	RUBBER MAT, INNER, RH	1		
16	455069	RUBBER MAT, OUTER, LH	1		
17	455070	RUBBER MAT, OUTER, RH	1		
18	454094	HEAT INSULATION	1		
19	455078	BRACKET	2		
20	GA904SC26	SCREW, SOCKET HEAD M6X16	2		
21	GA552SC11	SCREW, TAPPING M4X16	10		
22	GA552WS05	WASHER 5.2X10X0.8	2		

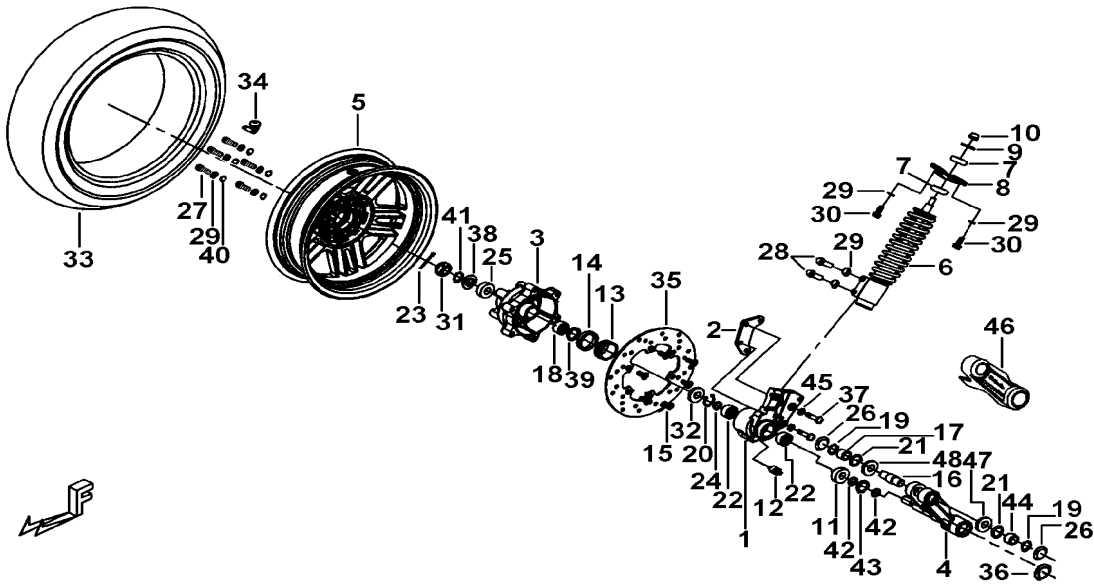


ITEM	PART NO	DESCRIPTION	Q'TY	AMEND	NOTE
01	412735	FORK COMP., FRONT	1		
02	GA556NT01	NUT, SLOTTED	2		
03	W33201	WASHER	1		
04	412723	COVER, ANTI-DUST	1		
05	412725	RACE, STEERING, INNER, UPPER	1		
06	BH127FE01	BALL	54		
07	412726	RACE, STEERING INNER	1		
08	412724	RACE, STEERING INNER	1		



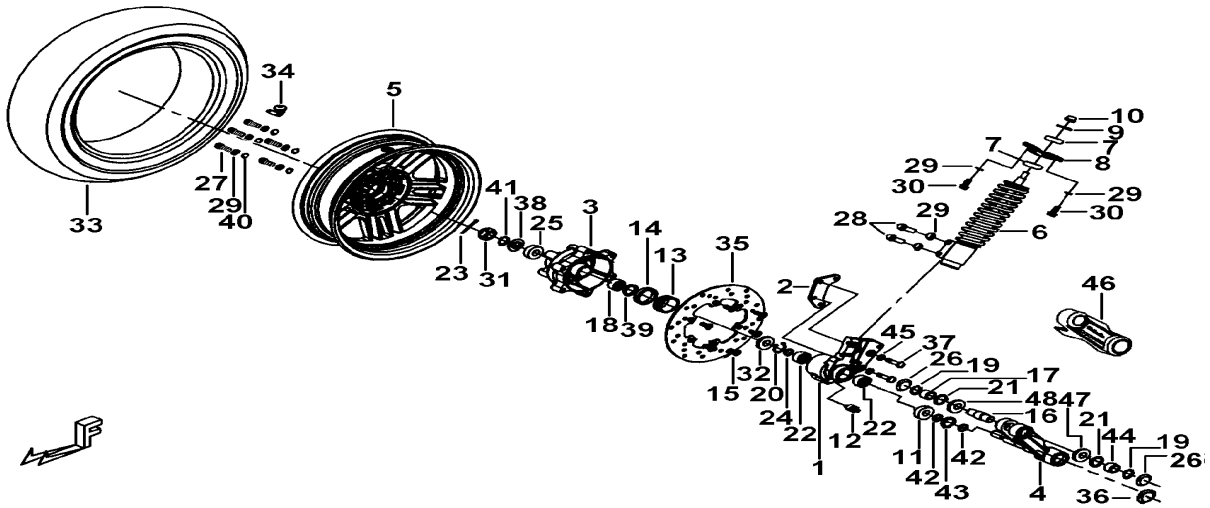
ITEM	PART NO	DESCRIPTION	Q'TY	AMEND	NOTE
01	456028	FRONT FENDER	1		
02	S72601	BOLT, HEX HEAD M6X20	4		
03	454093	FRONT SUSPENSION COVER	1		
04	GA552NT01	NUT, SPRING M4	2		
05	W99602	WASHER 6.5X12X1.0	3		
06	S50406	SCREW, TAPPING M4X16	2		
07	N32501	NUT, SPRING M5	3		
08	413417	CLAMP	3		
09	S41501	BOLT M5X12	3		



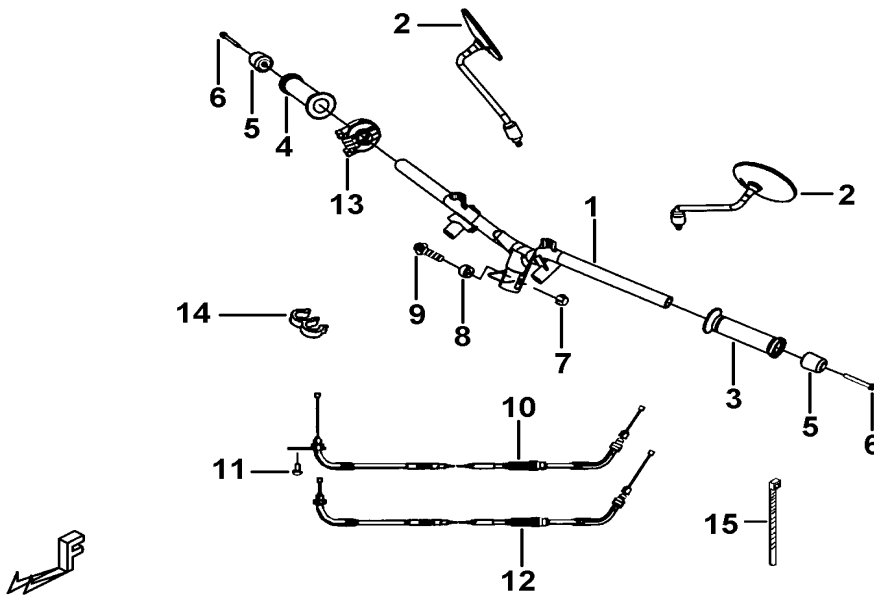


ITEM	PART NO	DESCRIPTION	Q'TY	AMEND	NOTE
01	412979	BRACKET, CALIPER	1		
02	413663	CALLIPER CONNECTING PLATE	1		
03	412963	HUB, FRONT WHEEL	1		
04	412753	SWING ARM	1		
05	412968SEAY	RIM COMP.(AL) 3.5X12"	1		
06	412737SE	ABSORBER ASSY., SHOCK, FR	1		
07	412738	CUSHION	2		
08	412750	FIXED BRACKET	1		
09	W99011	GASKET t 2.5	1		
10	GA551NT02	NUT, FLANGE SELFLOCK M10x10	1		
11	412742	OIL SEAL	1		
12	412970	ODOMETER DRIVE GEAR (S)	1		
13	412971	ODOMETER DRIVE GEAR (B)	1		
14	412426	SPACER	1		
15	GA558SC02	BOLT M8X1.25X15L	6		
16	412740	SHAFT, SWING ARM	1		
17	412747	COPPER BUSHING	1		
18	412972	NEEDLE BEARING	1		
19	R01302	"C"RING	2		
20	R00004	"C"RING	1		
21	412744	"O"RING	2		
22	412741	NEEDLE BEARING	2		
23	P10301	PIN	1		
24	W99202	WASHER	1		
25	412973	NEEDLE BEARING	1		
26	412745CKD	CAP	2		
27	S70804	BOLT,HEX HEAD M8X50	5		

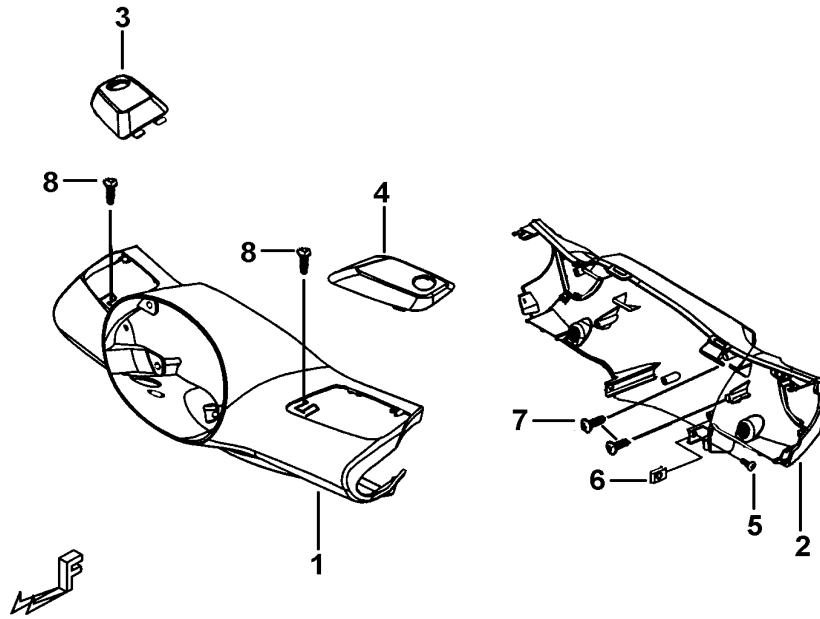
<b>29-1</b>	<b>FRONT WHEEL</b>	<b>DJC</b>
-------------	--------------------	------------



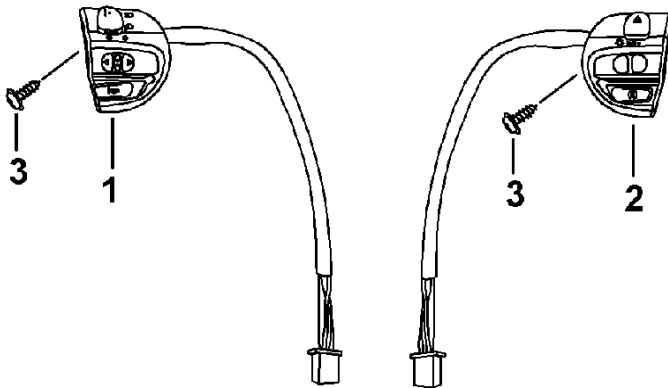
ITEM	PART NO	DESCRIPTION	Q'TY	AMEND	NOTE
28	S20822	BOLT, FLANGE M8X45	2		
29	GA556WS04	SPRING WASHER 8.2X3.2X2t	9		
30	S20825	BOLT, FLANGE	2		
31	N13401	NUT M14X1.5	1		
32	412743	OIL SEAL	1		
33	412976	TIRE FRONT 120/70/12	1		
34	GF5299901	INLET COMP., AIR	1		
35	412975Y	DISC, BRAKE 230mm	1		
36	412746CKD	CAP	1		
37	S20814	BOLT, FLANGE M8X1.25X20L	2		
38	412974	SPACER	1		
39	412749	OIL SEAL	1		
40	W99806	WASHER 8.5X16X2	5		
41	R01702	"C"RING	1		
42	W99226	WASHER	2		
43	412751	"O"RING	1		
44	412748	COPPER BUSHING	1		
45	W99805	WASHER	2		
46	412755C	COVER, SWING ARM(CHROME)	1		
47	W99716	WASHER	1		
48	W99717	WASHER	1		



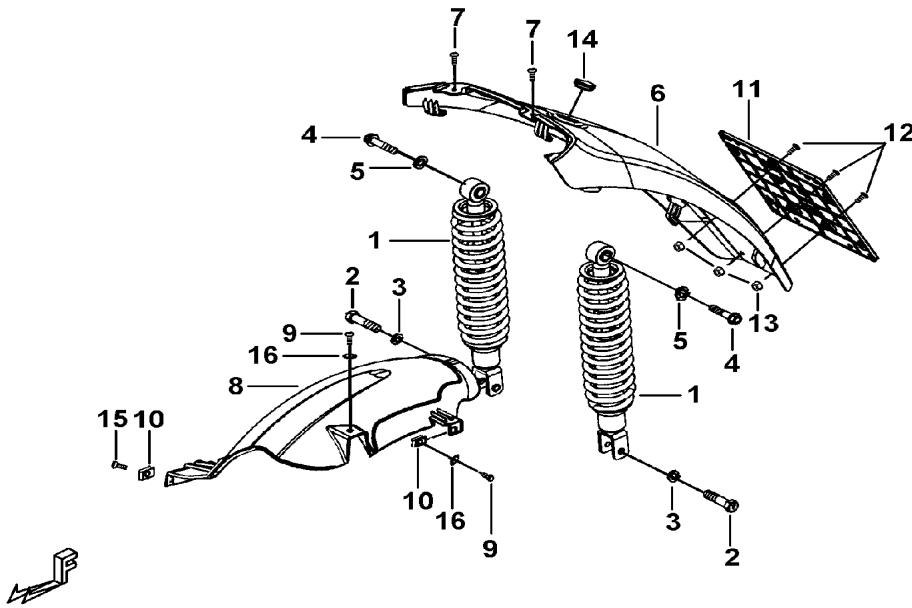
ITEM	PART NO	DESCRIPTION	Q'TY	AMEND	NOTE
01	417016	HANDLE BAR ASSY.	1		
02	417033	MIRROR ASSY., REAR VIEW	1		
03	413075	GRIP, LH.	1		
04	413076	GRIP, RH.	1		
05	417034	COLLAR	2		
06	S70622	BOLT M6X60L	2		
07	GA551NT01	NUT, SELFLOCK M10X1.25	1		
08	413087	COLLAR HANDLE SET	1		
09	S20009	BOLT, HEX. HEAD M10X1.25X48L	1		
10	417019	CABLE, THROTTLE	1		
11	GA552SC06	BOLT, OVAL HEAD 5X12	1		
12	417020	CABLE	1		
13	417018	THROTTLE CONTROL	1		
14	414125	CLAMP	1		
15	400535	CLAMP L300	2		



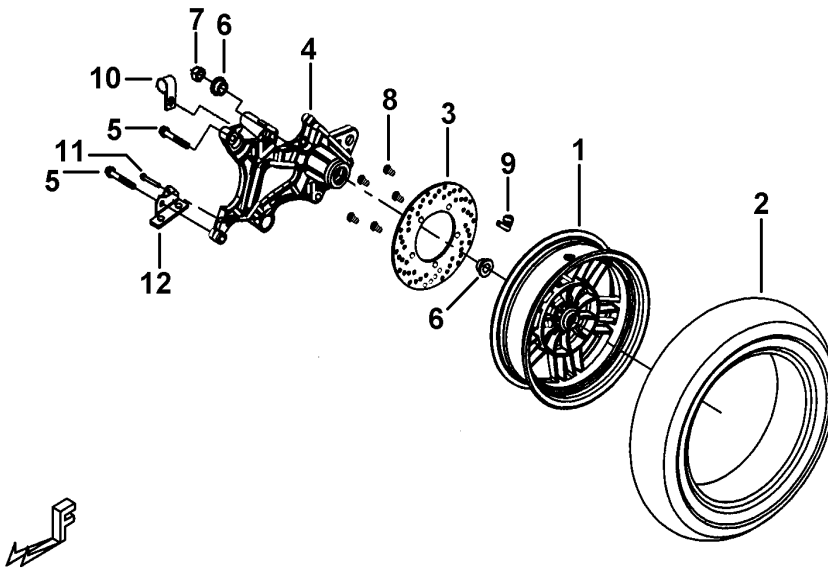
ITEM	PART NO	DESCRIPTION	Q'TY	AMEND	NOTE
01	457175	COVER, HANDLE BAR, FRONT	1		
02	457176	COVER, HANDLE BAR, REAR	1		
03	457178	MASTER CYLINDER ORNAMENTAL RH	1		
04	457177	MASTER CYLINDER ORNAMENTAL LH	1		
05	S50406	SCREW, TAPPING M4X16	6		
06	GA552NT01	NUT, SPRING M4	9		
07	GA552SC11	SCREW, TAPPING M4X16	4		
08	GA555SC03	SCREW, AN HEAD M6X16	2		



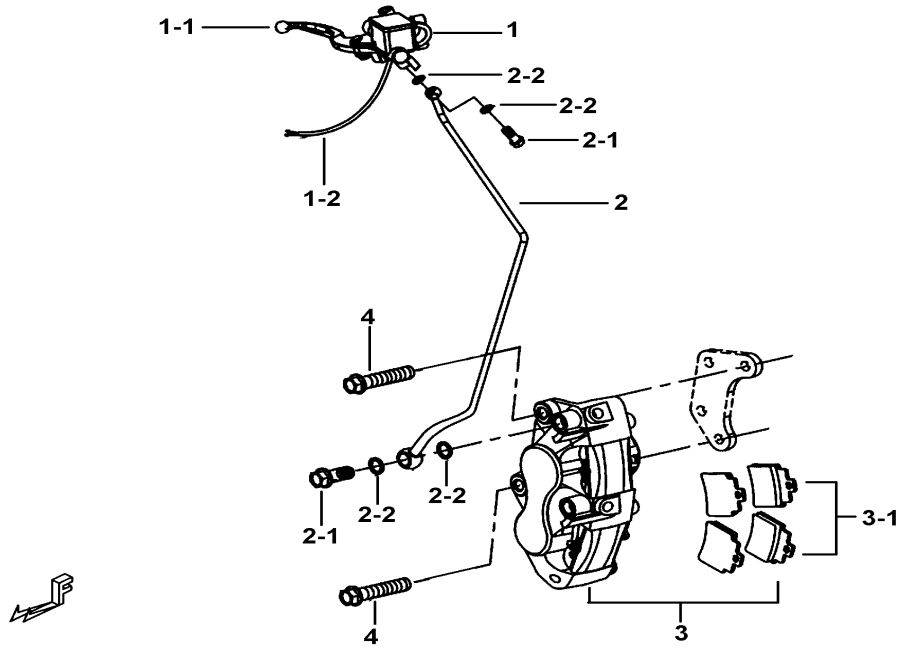
ITEM	PART NO	DESCRIPTION	Q'TY	AMEND	NOTE
01	553721	SWITCH ASSY., LH.	1		
02	553722	SWITCH ASSY., RH.	1		
03	S50402	SCREW,TAPPING M4X10	2		



ITEM	PART NO	DESCRIPTION	Q'TY	AMEND	NOTE
01	413336SE	ABSORBER REAR(SEMI-GLOSS BLACK)	2		
02	GA558SC03	BOLT, HEX. HEAD M8X35	2		
03	GA556WS04	SPRING WASHER 8.2X3.2X2t	2		
04	S20052	BOLT, FLANGE M10X1.25X40L	2		
05	GA556WS06	WASHER, SPRING 10.2X3.7X2.5t	2		
06	453088	FENDER, REAR	1		
07	S51404	SCREW TAPPING M4X12	2		
08	458038	GUARD, MUD	1		
09	S72503	BOLT M5X16	2		
10	N32501	NUT, SPRING M5	2		
11	458039	BRACKET ASSY.,LICENSE-PLATE	1		
12	GA555SC03	SCREW, AN HEAD M6X16	3		
13	N10603	NUT, SPRING M6	3		
14	453076	RUBBER PLUG	1		
15	S72504	BOLT M5X20	1		
16	W99541	WASHER	2		

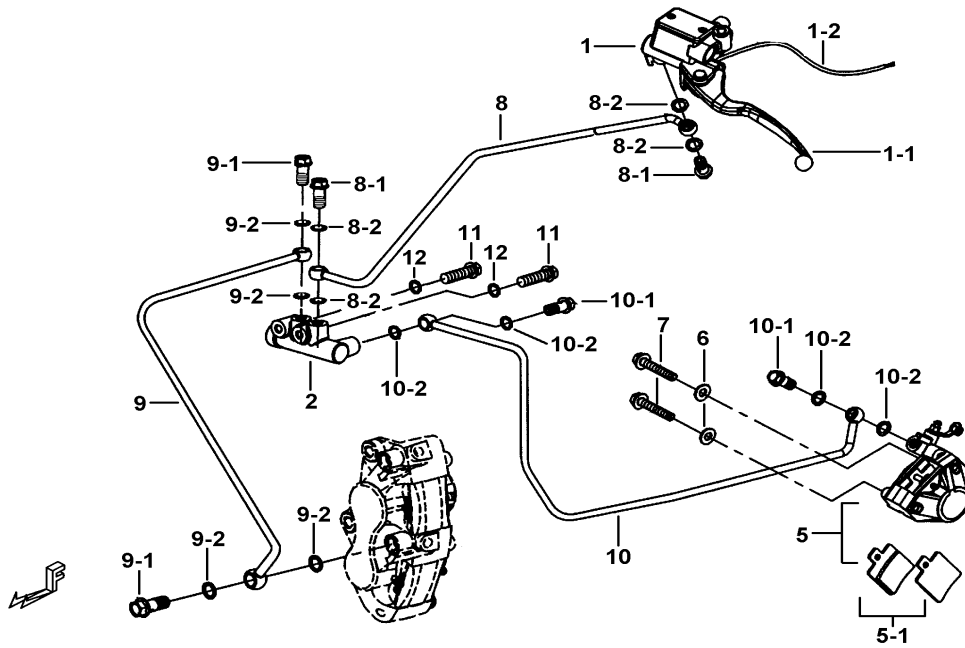


ITEM	PART NO	DESCRIPTION	Q'TY	AMEND	NOTE
01	413433SEAY	RIM COMP.(AL)3.5X12"	1		
02	413437	TIRE REAR 130/70/12	1		
03	413439Y	DISC, BRAKE 220mm	1		
04	413438	REAR FORK ASSY	1		
05	S20045	BOLT, FLANGE M10X54L	2		
06	413423	COLLAR	2		
07	GA558NT03	NUT, SELFLOCK M16X14	1		
08	GA558SC02	BOLT M8X1.25X15L	5		
09	GF5299901	INLET COMP., AIR	1		
10	413417	CLAMP	1		
11	S20611	BOLT, HEX HEAD M6X20	1		
12	412095	BRACKET	1		

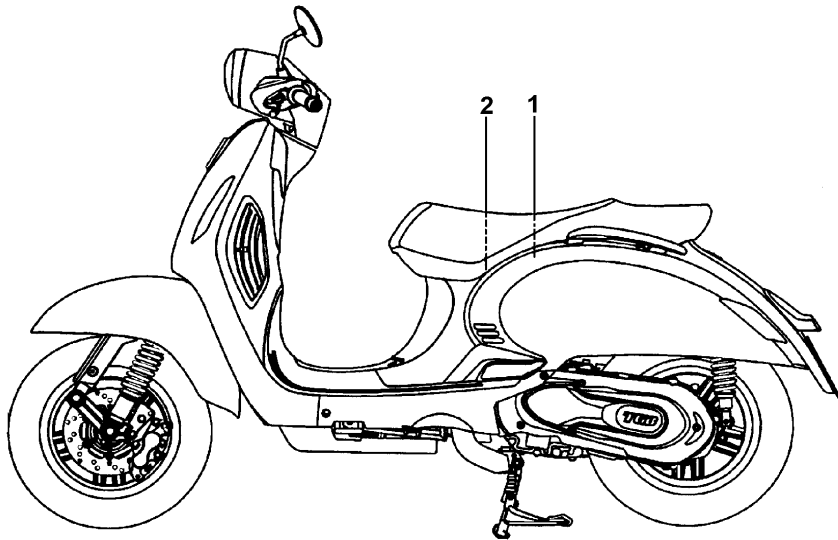


ITEM	PART NO	DESCRIPTION	Q'TY	AMEND	NOTE
01	413655	MASTER CYLINDER	1		
01-1	415341	LEVER, RH	1		
01-2	415334	LIMITED SWITCH ASSY.	1		
02	413664	HOSE ASSY., FRONT BRAKE	1		
02-1	S21001	OIL BOLT M10X1.25X22L	2		
02-2	GA559WS04	WASHER, 10.2X15X1.2t	4		
03	413658SW	CBS CALLIPER(SILVER WHITE)	1		
03-1	415337	PAD ASSY.	1		
04	S20814	BOLT, FLANGE M8X1.25X20L	2		

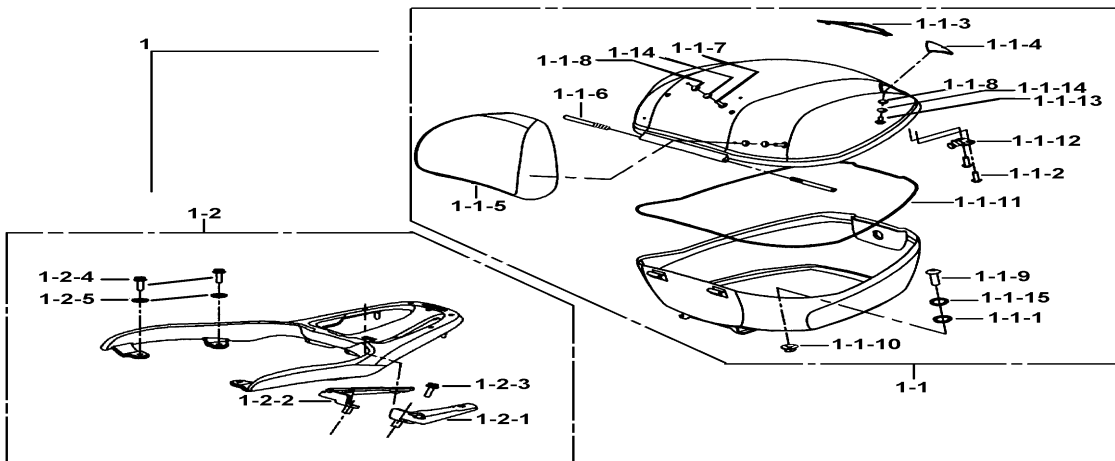




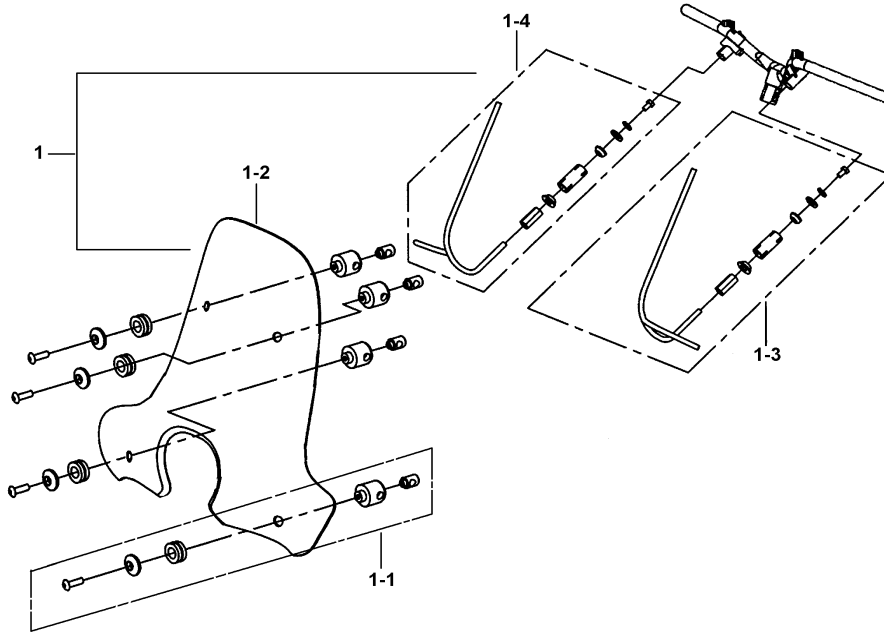
ITEM	PART NO	DESCRIPTION	Q'TY	AMEND	NOTE
01	413660	MASTER CYLINDER	1		
01-1	415340	LEVER, LH	1		
01-2	415334	LIMITED SWITCH ASSY.	1		
02	413659	DISTRIBUTOR	1		
05	413519SW	CALLIPER(SILVER WHITE)	1		
05-1	415338	PAD ASSY.	1		
06	W99805	WASHER	2		
07	S20802	BOLT, FLANGE M8X30L	2		
08	413661	HOSE ASSY., LEFT UP BRAKE	1		
08-1	S21001	OIL BOLT M10X1.25X22L	2		
08-2	GA559WS04	WASHER, 10.2X15X1.2t	4		
09	413662	HOSE ASSY., LEFT FRONT BRAKE	1		
09-1	S21001	OIL BOLT M10X1.25X22L	2		
09-2	GA559WS04	WASHER, 10.2X15X1.2t	4		
10	413520	HOSE ASSY., LEFT REAR BRAKE	1		
10-1	S21001	OIL BOLT M10X1.25X22L	2		
10-2	GA559WS04	WASHER, 10.2X15X1.2t	4		
11	S24610	BOLT, FLANGE M6X40	2		
12	W10601	SPRING WASHER 6.2X11.5X1 t	2		



ITEM	PART NO	DESCRIPTION	Q'TY	AMEND	NOTE
01	459157	LABEL, WARNING	1		
02	459997	LABEL, LUGGAGE BOX	1		



ITEM	PART NO	DESCRIPTION	Q'TY	AMEND	NOTE
1-1-1	414212	BUSH (L)	4		
1-1-10	N10801	NUT, FLANGE 8mm	4		
1-1-11	414202	ORNAMENTAL, COVER	1		
1-1-12	414201	LOCK BRACKET	1		
1-1-13	S51302	SCREW, TAPPING M3.5X10L	2		
1-1-14	W99440	WASHER	6		
1-1-15	W99812	WASHER 1.5t	4		
1-1-2	S50401	SCREW TAPPING M4X12	2		
1-1-3	414205	REFLECTOR LH	1		
1-1-4	414206	REFLECTOR RH	1		
1-1-5	414200AY	PASSENGER BACK SEAT(PALE YELLOW)	1		OPTION
1-1-5A	414200CF	PASSENGER BACK SEAT(COFFEE)	1		OPTION
1-1-5B	414200BL	PASSENGER BACK SEAT(BLACK)	1		OPTION
1-1-6	412508	CONNECTING SHAFT	2		
1-1-7	GA552SC11	SCREW, TAPPING M4X16	4		
1-1-8	414213	BUSH (S)	6		
1-1-9	S72809	BOLT, SOCKET	4		
1-1A	414203CLA	CARGO BOX COMP.(CLASSIC BLACK)	1		OPTION
1-1C	414203SHA	CARGO BOX COMP.(SHELL WHITE)	1		OPTION
1-1G	414203FBA	CARGO BOX COMP.(FOG BROWN)	1		OPTION
1-2	412421SWA	LUGGAGE RACK ASSY.(SILVER WHITE)	1		
1-2-1	414972	BRACKET(L)	1		
1-2-2	414973	BRACKET(R)	1		
1-2-3	S20804	BOLT, FLANGE	2		
1-2-4	S20802	BOLT, FLANGE M8X30L	4		
1-2-5	W99005	WASHER 2t	4		
1A	414217CL	CARGO BOX C/W RACK)(CLASSIC BLACK)	1		OPTION
1B	414217AY	CARGO BOX.C/W RACK)(PALE YELLOW)	1		OPTION
1C	414217SH	CARGO BOX.(C/W RACK)(SHELL WHITE)	1		OPTION
1G	414217FB	CARGO BOX .(C/W RACK)(FOG BROWN)	1		OPTION



ITEM	PART NO	DESCRIPTION	Q'TY	AMEND	NOTE
01	457180A	WIND SHIELD ASSY(L)	1		
01-1	457188A	WIND-SHIELD INSTALLATION KIT	4		
01-2	457180	WIND-SHIELD(L)	1		
01-3	417028	FIXED ROD SET LH	1		
01-4	417031	FIXED ROD SET RH	1		