

Bellavita 125i

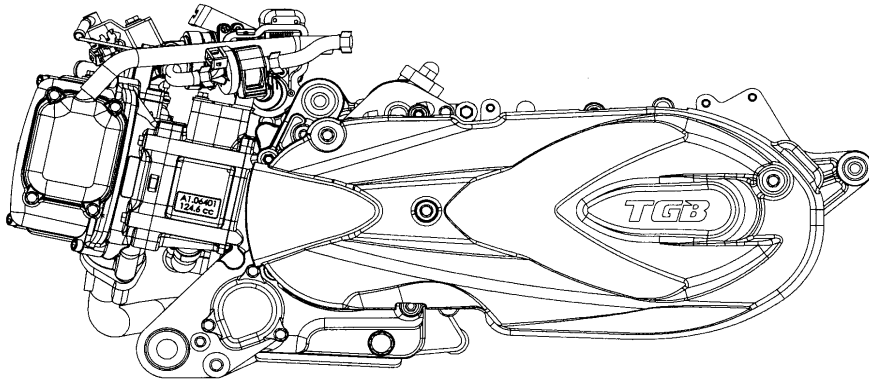
To return to this index click on main picture

Section	Description	Section	Description
0	Engine	20	Stand
1	Cylinder Head, Cylinder Head Cover	21	Fuel Tank
2	Injection System	22	Seat
3	Cylinder, Piston Crankshaft	23	Additions of Side Cover
4	Starter Motor, Oil Pump	24	Windshield
5	L/H Side Cover	25	Front Leg Shield
6	Generator	26	Rear Leg Shield
7	Right Crankcase Cover	27	Front Fork ←000678
8	Crankcase	27-01	Front Fork 000679→
9	Air Cleaner	28	Front Fender
10	Driven Pulley Moveable Face ←000764	29	Front Wheel
10-01	Driven Pulley Moveable Face 000765→	30	Handle Bar
11	Transmission	31	Handle Bar Cover
12	Exhaust System	32	Handle Bar Switches
13	Radiator Assy.	33	Rear Fender
14	Battery, Start Mag, Ign Coil, Horn	34	Rear Wheel
15	Wire Harness, Key Set, DC Power Outlet	35	Calliper, Master Cylinder(Front)
16	Speedometer	36	Calliper, Master Cylinder(Rear)
17	Head Lamp	37	Labels
18	Rear Lamp	38	Cargo Box, Rear Carrier
19	Frame	39	Windscreen

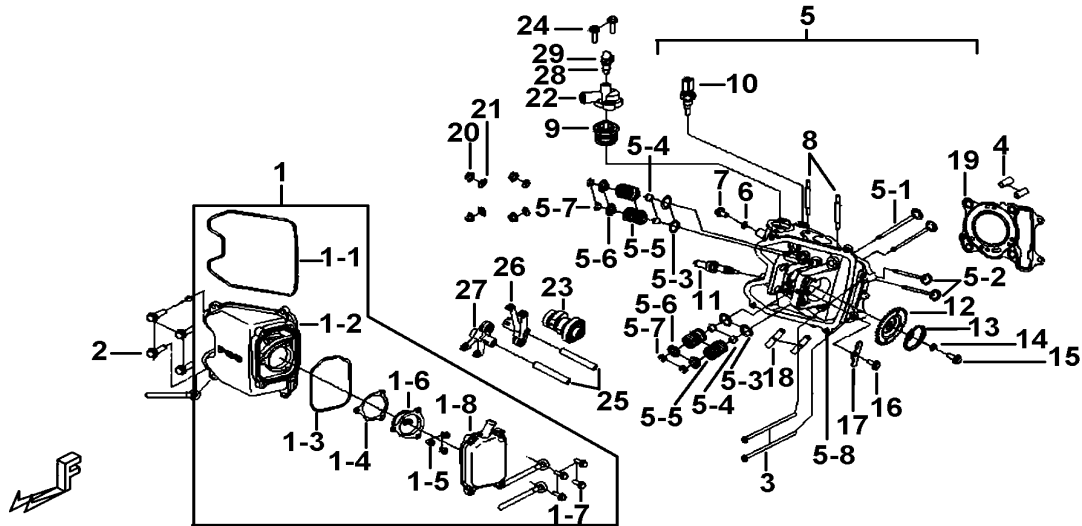
0

ENGINE ASSY.

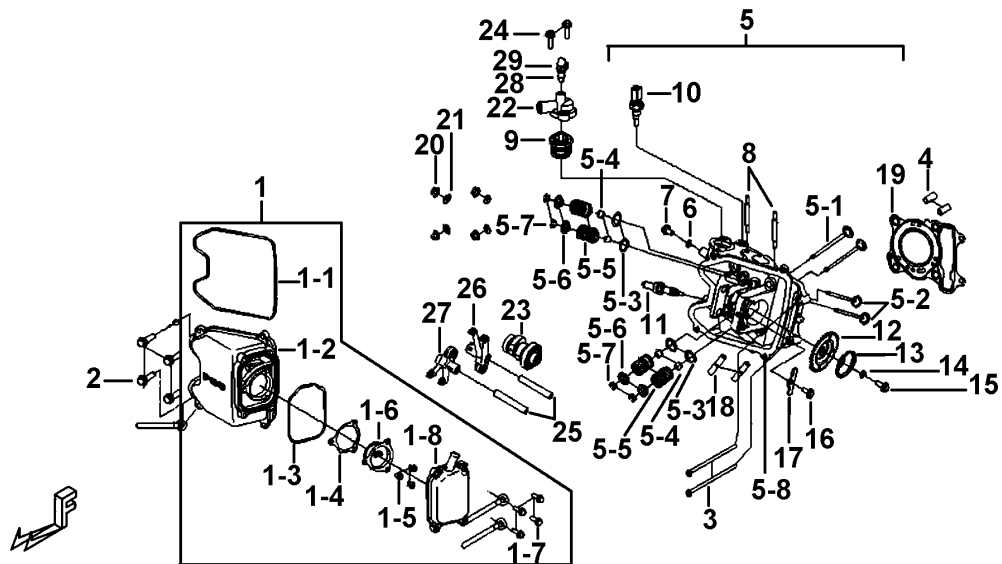
DJ8



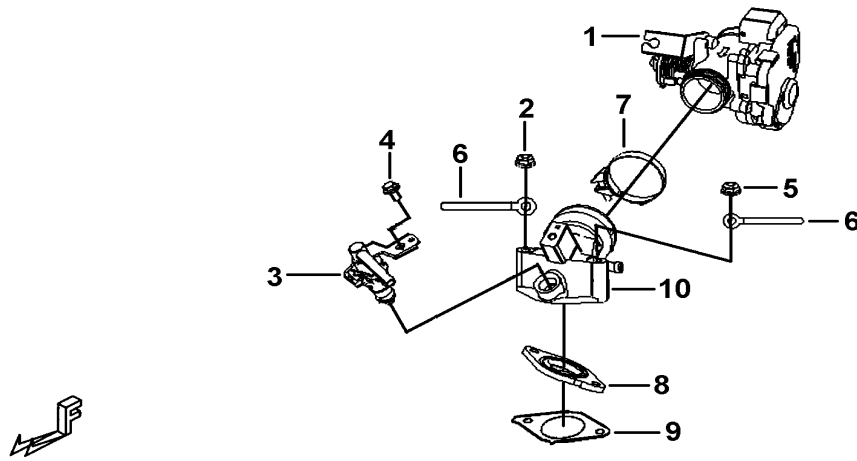
ITEM	PART NO	DESCRIPTION	Q'TY	AMEND	NOTE
01	553050	ENGINE ASSY.	1		



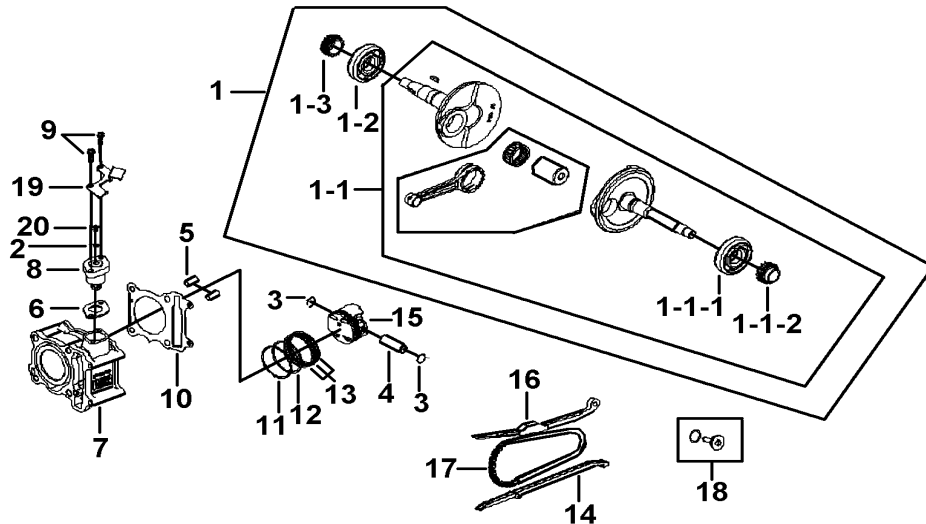
ITEM	PART NO	DESCRIPTION	Q'TY	AMEND	NOTE
01	553132	CYLINDER HEAD COVER ASY.	1		
01-1	553133	PACKING, CYL HEAD COVER	1		
01-2	553134	HEAD COVER	1		
01-3	553135	PACKING, CYL. PCV COVER	1		
01-4	553136	OIL PURGE PLATE PLAIN WASHER	1		
01-5	553137	CR ROUND HD MACHINE SCREW	3		
01-6	553138	OIL PURGE PLATE	1		
01-7	553139	HEXAGON FLANGE BOLT	4		
01-8	553143	CYL., HEAD COVER	1		
02	553140	HEXAGON SCOKET SCREW	4		
03	553141	HEXAGON FLANGE BOLT (M6*100L)	2		
04	553142	LOCK PIN(10*14)	2		
05	553187	COYLY., HEAD COMP.	1		
05-1	553144	VALVE INLET	2		
05-2	553145	VALVE EXHAUST	2		
05-3	553149	WASHER, VALVE	4		
05-4	553148	SEAL VALVE STEM	4		
05-5	553150	VALVE SPRING	4		
05-6	553151	RETAINER VALVE SPRING	4		
05-7	553152	COTTER VALVE	4		
05-8	553163	CYLINDER HEAD	1		
06	553146	WASHER	1		
07	553147	HEXAGON FLANGE BOLT (M6*1.0P*12L)	1		
08	553153	STUD BOLT	2		
09	553154	THERMOSTAT	1		
10	553155	TEMPERATURE SENSOR	1		
11	924090	SPARK PLUG (NGK CR7E)	1		



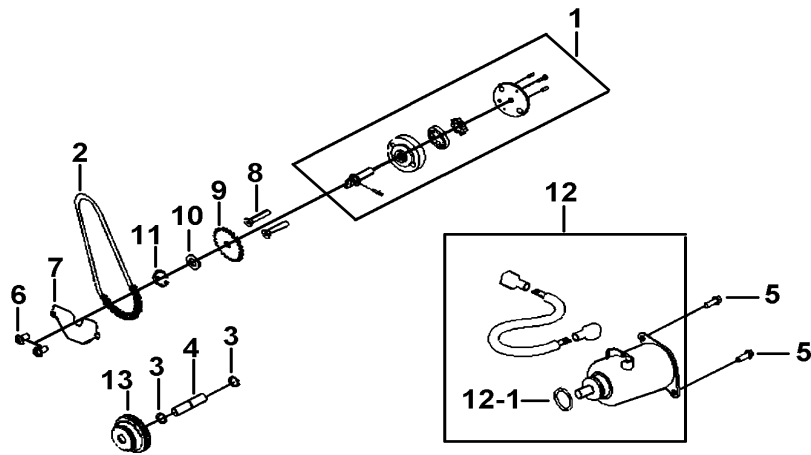
ITEM	PART NO	DESCRIPTION	Q'TY	AMEND	NOTE
12	553157	CAMSHAFT SPROCKET	1		
13	553158	ROTATING DISC	1		
14	553159	PLANE WASHER□	1		
15	553160	HEXAGON FLANGE BOLT	1		
16	553161	HEXAGON FLANGE BOLT (M6*1.0P*12L)	1		
17	553162	RETAINER, CAM SHAFT	1		
18	553164	STUD BOLT	2		
19	553165	GASKET, CYL. HEAD	1		
20	553166	HEXAGON FLANGE NUT	4		
21	553167	PLANE WASHER	4		
22	553168	COVER, THERMOSTAT	1		
23	553169	CAM SHAFT ASSY	1		
24	553170	HEXAGON FLANGE BOLT	2		
25	553171	SHAFT. ROCKER ARM	2		
26	553172	IN. VALVE ROCKER ARM COMP.	1		
27	553173	EX. VALVE ROCKER ARM COMP.	1		
28	553174	WASHER	1		
29	553175	BLEEDER ASSY	1		



ITEM	PART NO	DESCRIPTION	Q'TY	AMEND	NOTE
01	553227	THROTTLE BODY	1		
02	553228	HEXAGON FLANGE NUT (M6*1.0P)	1		
03	553229	INJECTOR ASSY.	1		
04	553230	HEXAGON FLANGE BOLT(M6*10L)	1		
05	553231	HEXAGON FLANGE NUT (M6*1.0P)	1		
06	553232	WIRE CLIP	2		
07	553233	CLAMP	1		
08	553234	INSULATOR COMP., CARB	1		
09	553235	INSULATOR CARB. GASKET	1		
10	553236	INTAKE MAINFOLD	1		



ITEM	PART NO	DESCRIPTION	Q'TY	AMEND	NOTE
01	553220	CRANK SHAFT ASSY.	1		
01-1	553176	CRANK SHAFT COMP.	1		
01-1-1	553181	ROLLER BEARING	1		
01-1-2	553183	TIMING SPROCKET	1		
01-2	553178	ROLLER BEARING	1		
01-3	553196	OIL PUMP SPROCKET	1		
02	553177	O-RING	1		
03	553179	CLIP, PISTON PIN	2		
04	553180	PISTON PIN	1		
05	553182	LOCK PIN (10*14)	2		
06	553184	GASKET, CHAIN ADJUSTER	1		
07	553185	CYLINDER	1		
08	553186	CHAIN ADJUSTER COMP.	1		
09	553094	HEXAGON FLANGE BOLT	2		
10	553188	GASKET,CYLINDER	1		
11	553189	PISTON RING (TOP)	1		
12	553190	PISTON RING SECOND	1		
13	553191	OIL SCRAPER RING COMP.	1		
14	553192	GUIDE COMP.,CAM CHAIN	1		
15	553193	PISTON	1		
16	553194	TENSIONER, CAM CHAIN	1		
17	553195	CAM CHAIN	1		
18	553197	SCREW ASSY, TIMING CHAIN TENSIONER	1		
19	553198	BRACKET, ISC	1		
20	553199	CR TRUSS HEAD TAPPING SCREW	1		

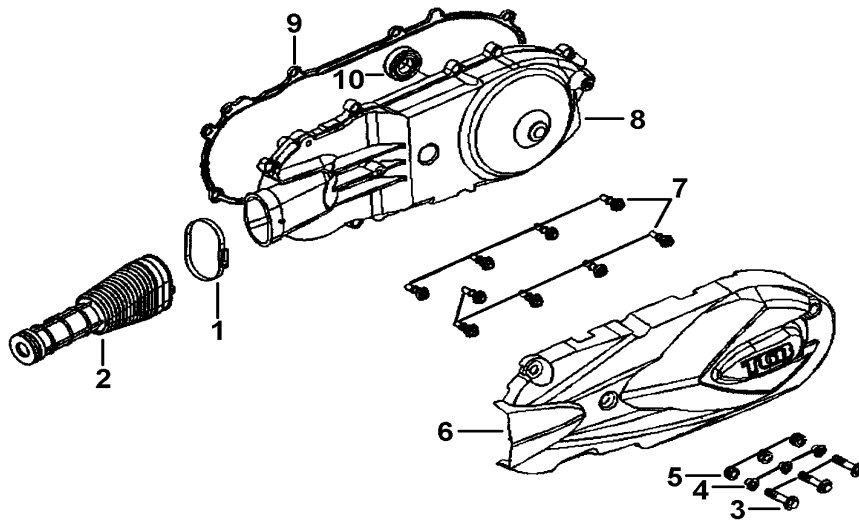


ITEM	PART NO	DESCRIPTION	Q'TY	AMEND	NOTE
01	553268	OIL PUMP ASS'Y	1		
02	553269	CHAIN, OIL PUMP	1		
03	553279	C CLIP	2		
04	553280	SHAFT, STARTET REDUCTION GEAR	1		
05	553272	HEXAGON FLANGE BOLT	2		
06	553273	PAN BOLT WITH WASHER	2		
07	553274	PLATE	1		
08	553275	SCREW(M6X29L)	2		
09	553276	SPROCKET, OIL PUMP DRIVEN	1		
10	553277	WASHER	1		
11	553278	RETAINING RING E TYPE	1		
12	553270	MOTOR ASSY STARTER	1		
12-1	553271	O RING	1		
13	553281	REDUCTION GEAR	1		

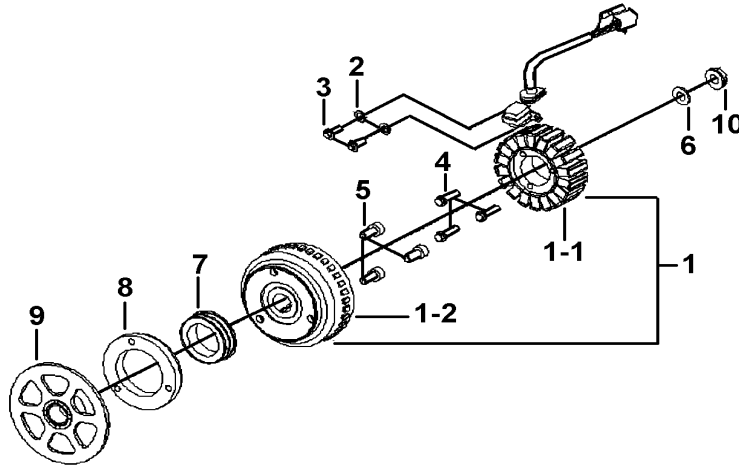
5

LH SIDE COVER

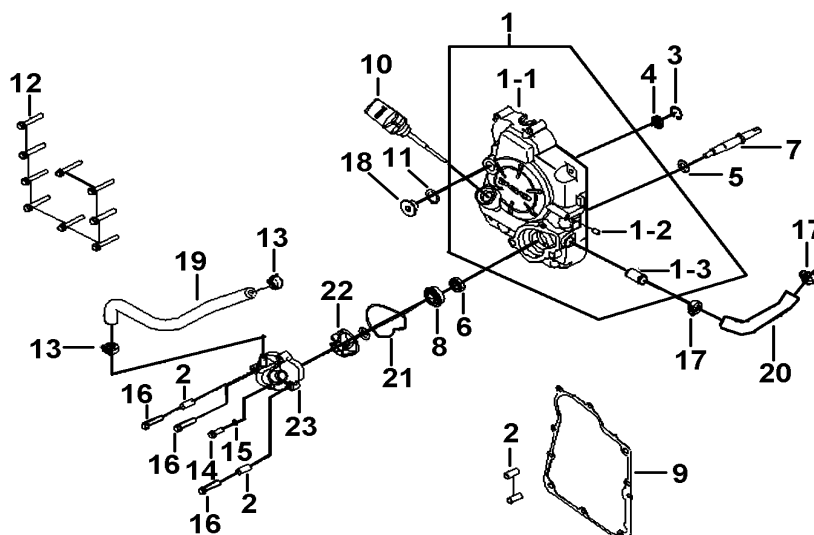
DJ8



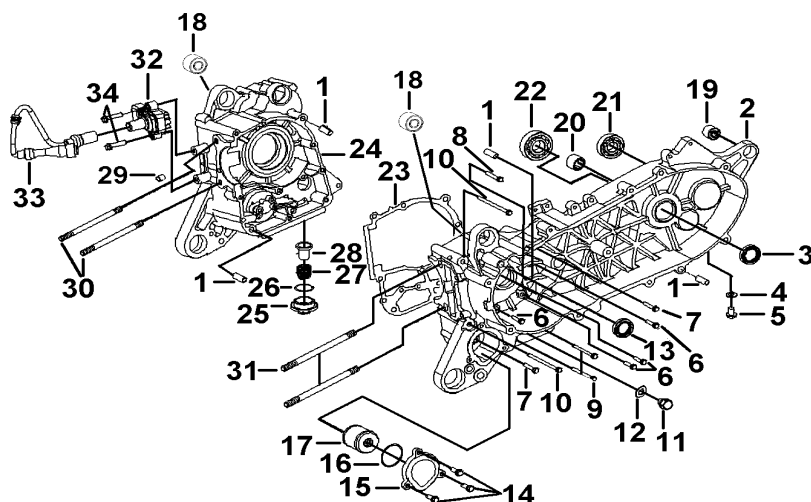
ITEM	PART NO	DESCRIPTION	Q'TY	AMEND	NOTE
01	553306	CLAMP	1		
02	553074	DUCT, COOLING	1		
03	553124	HEXAGON FLANGE BOLT	3		
04	553125	HOSE CLAMP	3		
05	553126	PIN(8DX15DX2.5F)	3		
06	553127	SOUNDPROFF COVER	1		
07	553128	SPECIAL SCREW	9		
08	553129	LH., SIDE COVER	1		
09	553130	GASKET LEFT COVER	1		
10	553131	DEEP GROOVE BALL BEAG. TWO SEAL	1		



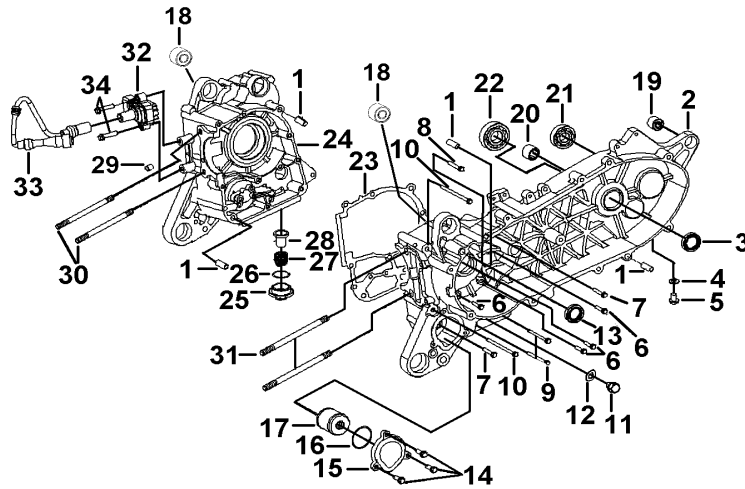
ITEM	PART NO	DESCRIPTION	Q'TY	AMEND	NOTE
01	553266	A. C. G. COMP.	1		
01-1	553256	STATOR COMP	1		
01-2	553261	FLYWHEEL COMP	1		
02	553257	SPRING LOCK WASHER	2		
03	553258	HEXAGON FLANGE BOLT (M5*12L)	2		
04	553259	HEXAGON FLANGE BOLT (M6*30L)	3		
05	553260	HEX SOCKET HD BOLT.	3		
06	553267	WASHER	1		
07	553262	ONEWAY CLUTCH	1		
08	553263	AUTER RACE	1		
09	553264	GEAR COMP. STARTING CLUTCH	1		
10	553265	HEXAGON FLANGE NUT	1		



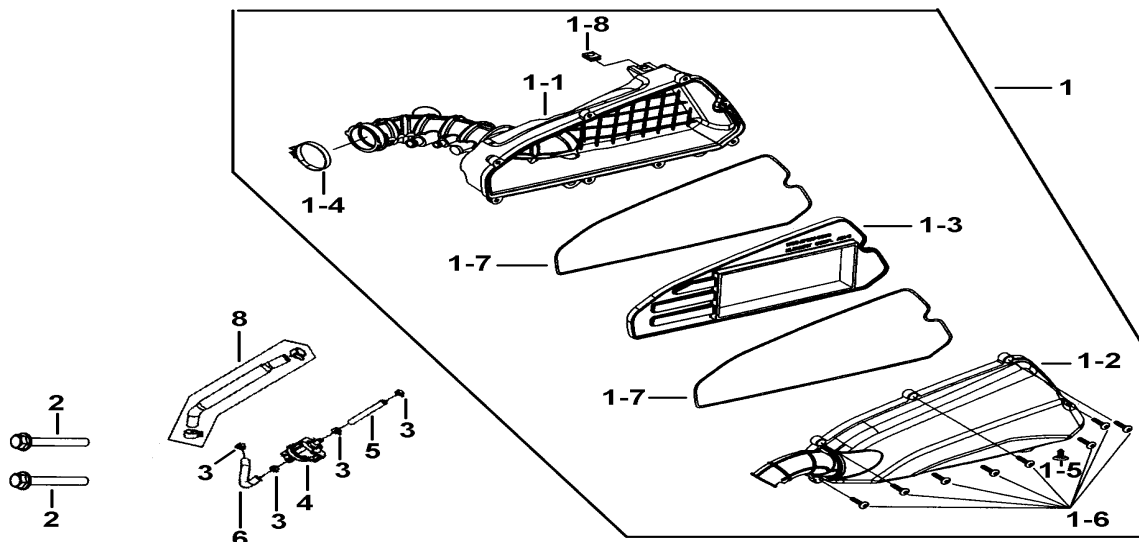
ITEM	PART NO	DESCRIPTION	Q'TY	AMEND	NOTE
01	553200	CRANKCASE COVER CORP ,RH ,PLAIN	1		
01-1	553202	COVER, R. CRANKCASE	1		
01-2	553208	OIL PLUG	1		
01-3	553209	PLUG, WATER	1		
02	553201	LOCK PIN	4		
03	553203	RETAINING RING C TYPE	1		
04	553204	OIL SEALTC TYPE	1		
05	553205	PLANE WASHER(12.1D*20D*1T)	1		
06	553206	SC OIL SEAL(12*24*6)	1		
07	553207	PUMP SHAFT	1		
08	553210	MECHANICAL SEAL	1		
09	553211	GASKET RH. CRANKCASE COVER	1		
10	553212	GAUGE. , OIL LEVEL COMP.	1		
11	553213	O RING	1		
12	553214	HEXAGON FLANGE BOLT (M6*40L)	1		
13	553215	HOSE CLIP	2		
14	553216	HEXAGON FLANGE BOLT (M5*12L)	1		
15	553217	WASHER. FLAT	1		
16	553218	HEXAGON FLANGE BOLT (M6*30L)	3		
17	553219	HOSE CLIP	2		
18	553221	CAP TAPPET ADJUSTING HOLE	1		
19	553222	PIPE(2)	1		
20	553223	WATER PUMP OUTLET HOSE	2		
21	553224	PACKING, WATER PUMP COVER	1		
22	553225	IMPELLER	1		
23	553226	COVER, WATER PUMP	1		



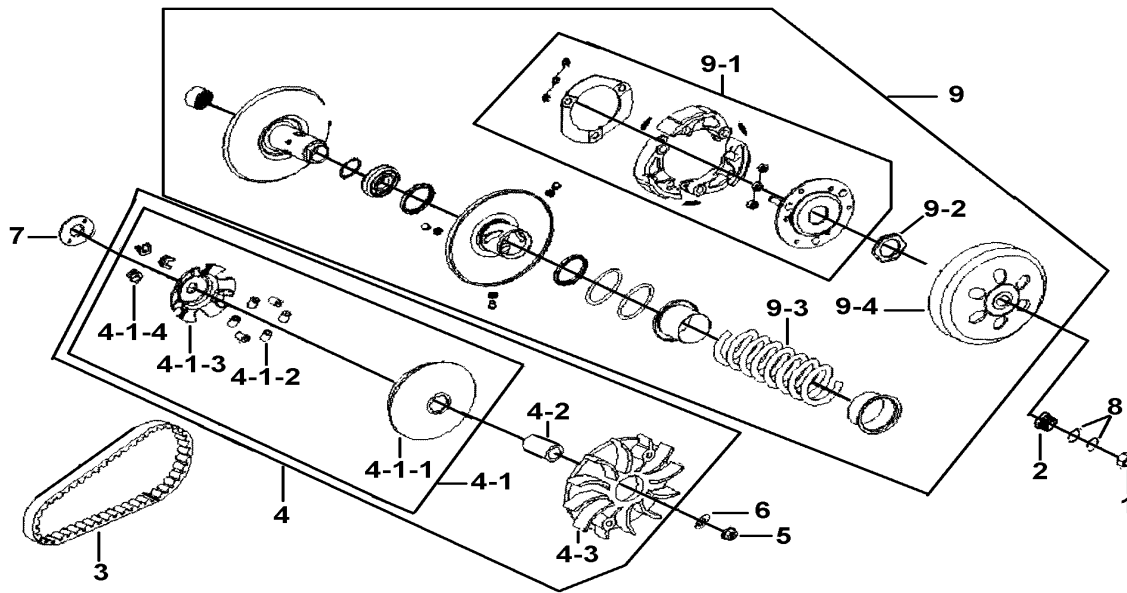
ITEM	PART NO	DESCRIPTION	Q'TY	AMEND	NOTE
01	553081	LOCK PIN	4		
02	553082	CRANKCASE LEFT	1		
03	553083	OIL SEAL, TC TYPE	1		
04	553084	WASHER (8*1.6T)	1		
05	553085	HEXAGON FLANGE BOLT (M8*12L)	1		
06	553086	HEXAGON FLANGE BOLT	4		
07	553087	HEXAGON FLANGE BOLT (M6*60L)	2		
08	553088	HEXAGON FLANGE BOLT	1		
09	553089	HEXAGON FLANGE BOLT	2		
10	553090	HEXAGON FLANGE BOLT (M6*100L)	2		
11	553091	HEXAGON HEAD BOLT FLANGE	1		
12	553092	WASHER	1		
13	553093	OIL SEAL TC TYPE(SD20)	1		
14	553094	HEXAGON FLANGE BOLT	3		
15	553095	OIL FILTER COVER	1		
16	553096	O-RING	1		
17	553097	ELEMENT	1		
18	553098	BUSH COMP.	2		
19	553099	BUSH, QUAKEPROOF	1		
20	553100	NEEDLE BEARING	1		
21	553101	BALL BEARING	1		
22	553102	DEEP GROOVE BALL BEARING	1		
23	553103	CRANKCASE GASKET	1		
24	553104	CRANKCASE, RIGHT	1		
25	553105	OIL STRAINER COVER	1		
26	553106	O RING	1		
27	553107	COMPRESSION SPRING	1		



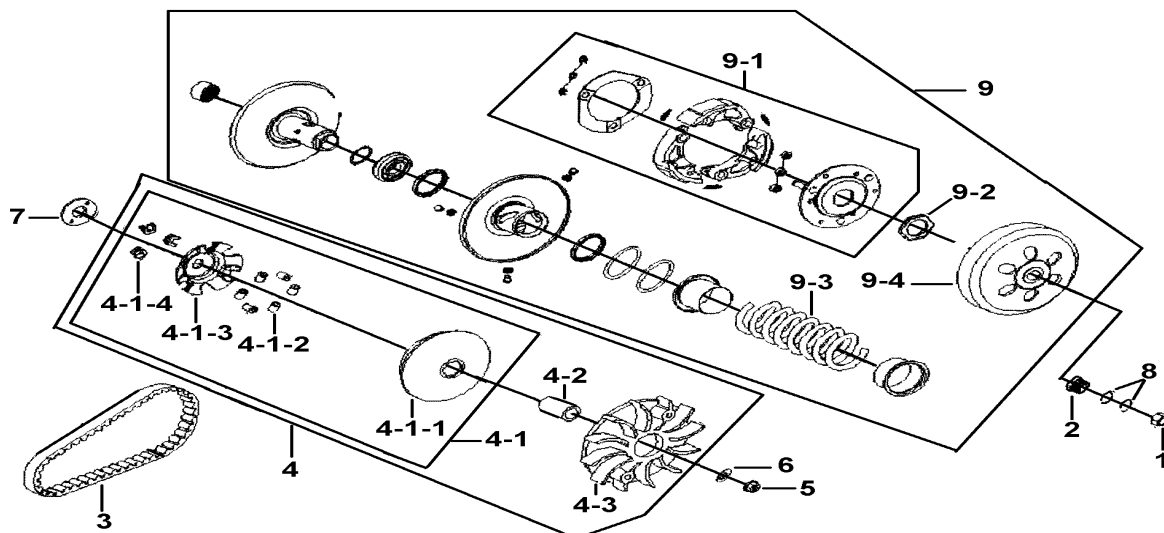
ITEM	PART NO	DESCRIPTION	Q'TY	AMEND	NOTE
28	553108	OIL STRAINER	1		
29	553109	PLUG OIL	1		
30	553110	STUD BOLT	2		
31	553111	STUD BOLT	2		
32	553112	IGN COIL ASSY	1		
33	553113	COIL CAP COMP.	1		
34	553114	HEXAGON FLANGE BOLT (M6*27L)	1		



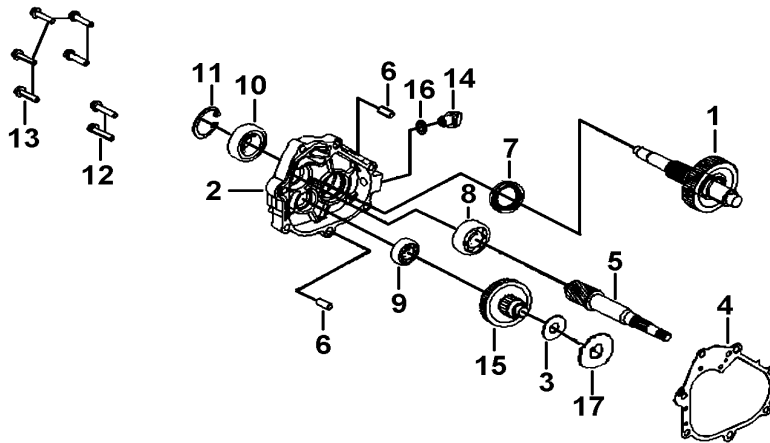
ITEM	PART NO	DESCRIPTION	Q'TY	AMEND	NOTE
01	553042	AIR CLEANER ASSY.	1		
01-1	553319	AIR CLEANER CASE	1		
01-2	553320	AIR CLEANER COVER	1		
01-3	553321	ELEMENT	1		
01-4	553250	CLIP (44X7.5 LOCATING)	1		
01-5	553323	DRAIN PLUG	1		
01-6	553324	CR TRUSS HD MACHINE SCREW	8		
01-7	553322	ELEMENT PACKING	2		
01-8	553254	BRACKER NUT	1		
02	S24607	BOLT, FLANGE M6X32	2		
03	553248	CLIP TUBE	4		
04	553243	ISC SYSTEM	1		
05	553245	TUBE CYL.,(A)	1		
06	553249	TUBE CYL.,(B)	1		
08	553237	TUBE CYL., COMP	1		



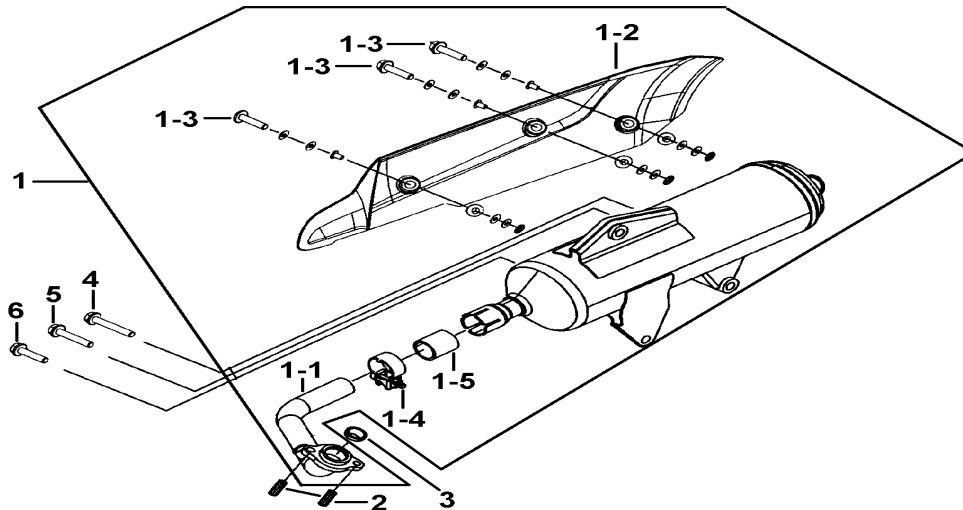
ITEM	PART NO	DESCRIPTION	Q'TY	AMEND	NOTE
01	553253	NUT, FLANGE	1		
02	553252	BUSH	1		
03	553244	DRIVE BELT	1		
04	492899A	MOVABLE DRIVE FACE ASSY.	1		
04-1	492899	MOVABLE DRIVE FACE COMP.	1		
04-1-1	490247	MOVABLE DRIVE FACE	1		
04-1-2	492942	WEIGHT ROLLER COMP.	6		
04-1-3	490255	RAMP PLATE	1		
04-1-4	490256	GUIDE, MOVABLE DRIVEFACE PLATE	3		
04-2	492900	SPACER	1		
04-3	490172	FACE, FIXED DRIVE	1		
05	553241	FLANGE NUT	1		
06	553242	THRUST WASHER	1		
07	553247	SPACE BUSH	1		
08	553251	O-RING	2		
09	492894	DRIVEN PULLEY ASSY.	1		
09-1	492612	CLUTCH ASSY.	1		
09-2	RT406NT01	NUT, HEX. M28X1.0	1		
09-3	552174	DRIVEN FACE SPRING	1		
09-4	492948	CLUTCH OUTER	1		



ITEM	PART NO	DESCRIPTION	Q'TY	AMEND	NOTE
01	553253	NUT, FLANGE	1		
02	553252	BUSH	1		
03	553244	DRIVE BELT	1		
04	553327A	MOVABLE DRIVE FACE ASSY.	1		
04-1	553328	MOVABLE DRIVE FACE COMP.	1		
04-1-1	553329	MOVABLE DRIVE FACE	1		
04-1-2	553330	WEIGHT ROLLER COMP.	6		
04-1-3	553331	RAMP PLATE	1		
04-1-4	553332	GUIDE, MOVABLE DRIVEFACE PLATE	3		
04-2	553333	SPACER	1		
04-3	553334	FACE, FIXED DRIVE	1		
05	553241	FLANGE NUT	1		
06	553242	THRUST WASHER	1		
07	553247	SPACE BUSH	1		
08	553251	O-RING	2		
09	553335	DRIVEN PULLEY ASSY.	1		
09-1	553336	CLUTCH ASSY.	1		
09-2	553337	NUT, HEX.	1		
09-3	553338	DRIVEN FACE SPRING	1		
09-4	553339	CLUTCH OUTER	1		



ITEM	PART NO	DESCRIPTION	Q'TY	AMEND	NOTE
01	553282	FINAL GEAR ASSY.	1		
02	553283	TRANSMISSION COVER	1		
03	553284	PLANE WASHER(37D*15.1D*1.5T)	1		
04	553285	TRANS COVER GASKET	1		
05	553286	GEAR PRIMARY DRIVE	1		
06	553287	LOCK PIN (10*14)	2		
07	553288	TC OIL SEAL	1		
08	553289	DEEP GROOVE BALL BEARING	1		
09	553290	DEEP GROOVE BALL BEARING	1		
10	553291	BALL BEARING, DOUBLE SEALED	1		
11	553292	RETAINING RING-C TYPE	1		
12	553293	HEXAGON FLANGE BOLT (M8*40L)	2		
13	553294	HEXAGON FLANGE BOLT	5		
14	553295	OIL BOLT	1		
15	553296	MAIN AXLE ASSY.	1		
16	553297	O RING	1		
17	553326	DISC SPRING WASHER	1		

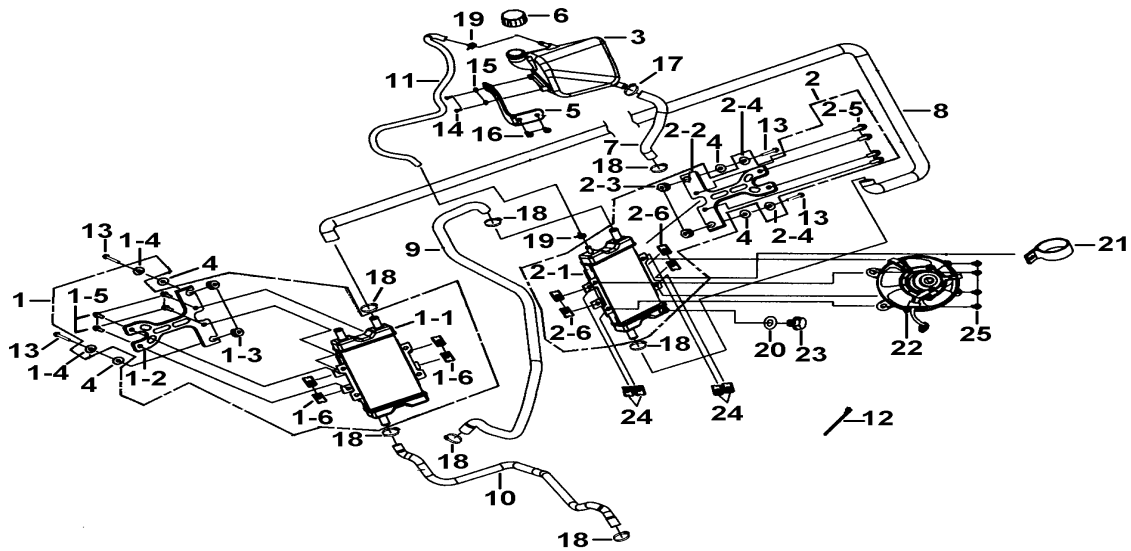


ITEM	PART NO	DESCRIPTION	Q'TY	AMEND	NOTE
01	553029A	EXH. MUFFLER ASSY.	1		
01-1	553079	PIPE, MUFFLER	1		
01-2	553312	MUFFLER PROTECTOR COMP.	1		
01-3	553317	SCREW SET, MUFFLER COVER	3		
01-4	553310	CLIP	1		
01-5	553309	GASKET, PLUMBAGO	1		
02	N12802	NUT, OVAL HEAD 8 mm	2		
03	925198	GASKET, EXHAUST PIPE	1		
04	S20030	SH. FLANGE BOLT M10X75L	1		
05	S20029	SH. FLANGE BOLT M10X45L	1		
06	S20051	SH. FLANGE BOLT M10X38L	1		

13

RADIATOR ASSY.

DJ8

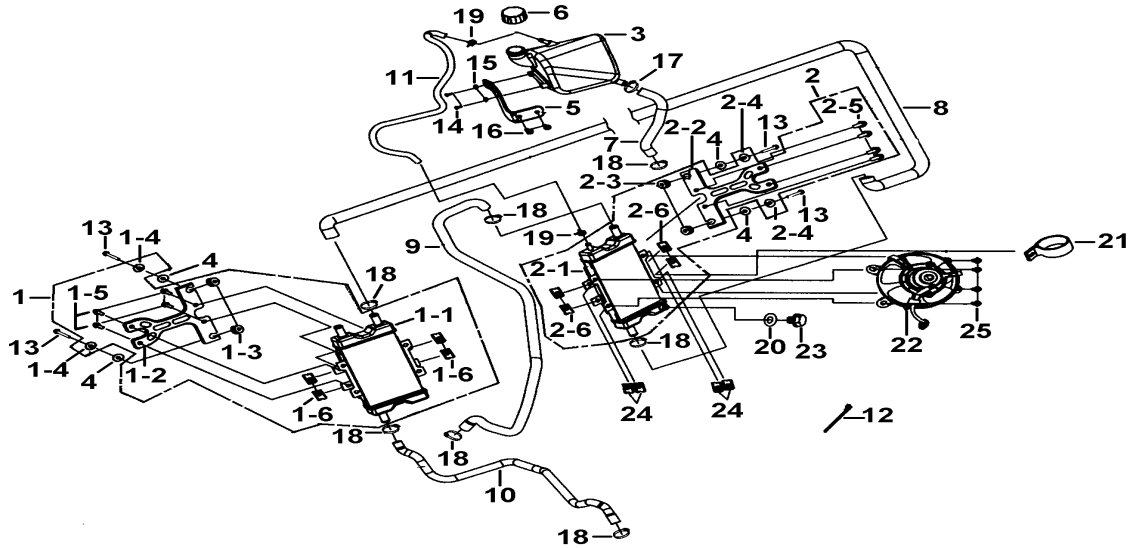


ITEM	PART NO	DESCRIPTION	Q'TY	AMEND	NOTE
01	553014	RADIATOR ASSY. (A)	1		
01-1	553014C	RADIATOR (A)	1		
01-2	553017	BRACKET, RADIATOR	1		
01-3	553018	RUBBER BUSH	2		
01-4	553019	PIN	2		
01-5	553316	BOLT, FLANGE M6	4		
01-6	553315	NUT, SPRING	4		
02	553015	RADIATOR ASSY. (B)	1		
02-1	553015C	RADIATOR (B)	1		
02-2	553017	BRACKET, RADIATOR	1		
02-3	553018	RUBBER BUSH	2		
02-4	553019	PIN	2		
02-5	553316	BOLT, FLANGE M6	4		
02-6	553315	NUT, SPRING	4		
03	553020	RESERVE TANK	1		
04	W99005	WASHER 2t	4		
05	553298	BRACKET, RESERVE TANK	1		
06	923802	RESERVE TANK CAP	1		
07	553299	HOSE, RESERVE TANK	1		
08	553027	CONNECTING HOSE	1		
09	553303	WATER INLET HOSE	1		
10	553304	WATER OUTLET HOSE	1		
11	553076	BREATH HOSE	1		
12	400535	CLAMP L300	4		
13	S20617	BOLT, FLANGE M6X25	4		
14	S50501	SCREW, OVAL HEAD M5X12L	2		
15	W99602	WASHER 6.5X12X1.0	2		

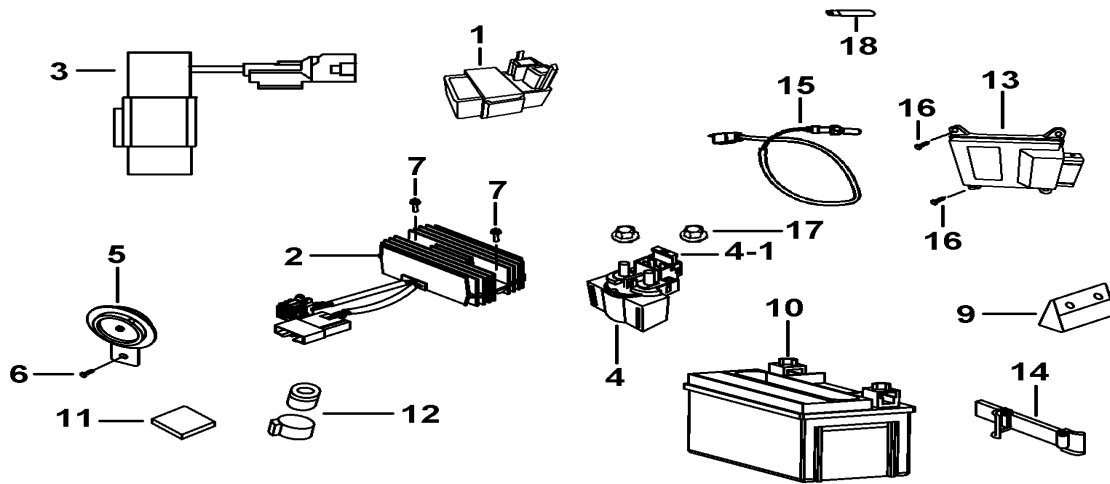
13-01

RADIATOR ASSY.

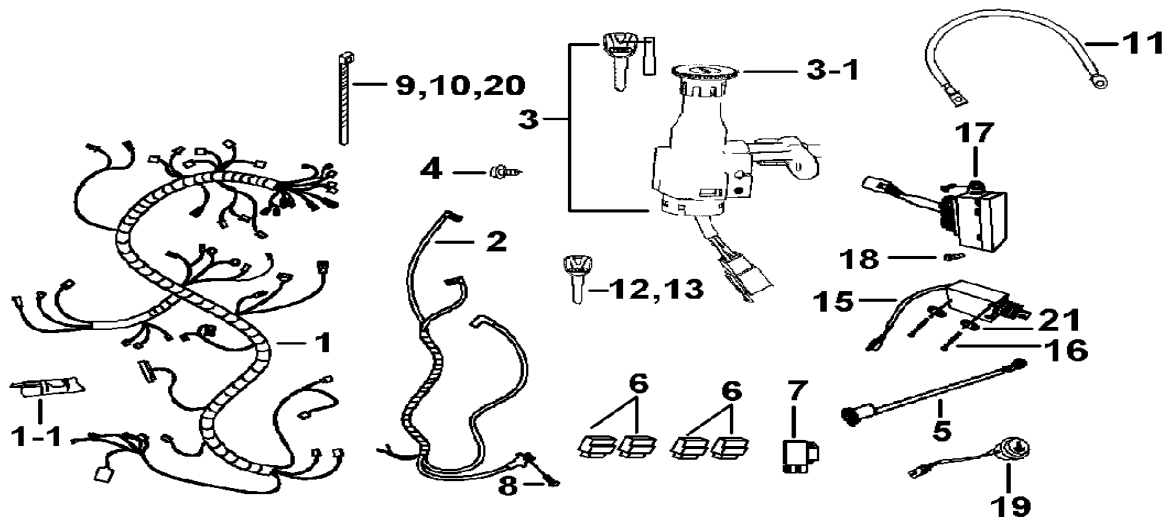
DJ8



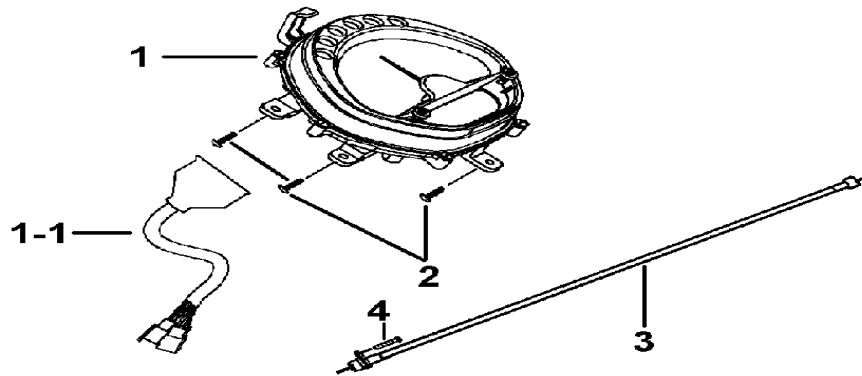
ITEM	PART NO	DESCRIPTION	Q'TY	AMEND	NOTE
16	S07601	BOLT, FLANGE M6X16 (Dark Green)	2		
17	R60202	CLIP □20	1		
18	R60201	CLIP □25	7		
19	R40201	CLIP	2		
20	W99020	WASHER	1		
21	553318	CLIP " P "	1		
22	553016	COOLING FAN	1		
23	S78901	BOLT M10X1.0X9L	1		
24	N32601	NUT, SPRING	4		
25	GA555SC05	BOLT, OUTLET M6X1.0X16L	4		



ITEM	PART NO	DESCRIPTION	Q'TY	AMEND	NOTE
01	923755	HAZARD UNIT	1		
02	926747	RECTIFIER(6 SCR)	1		
03	552856	PULSE REGULATOR	1		
04	925805	START MAG. SET	1		
04-1	552813	FUSE, 30A	1		
05	440809	HORN COMP	1		
06	GA556SC01	BOLT, FLANGE M6X1.0X12L	1		
07	S70609	SCREW, SOCKET HEAD M6x16	2		
09	924446	TOOL BAG	1		
10	923400A	BATTERY 12V 12AH	1		
11	GF514TH02	CUSHION	2		
12	553735	RELAY, TURN SIGNAL	1		
13	553743	ECU	1		
14	GF5140001	BAND	1		
15	553744	O2 SENSOR	1		
16	S79501	SCREW, SOCKET HEAD M5x16	4		
17	GA554NT04	NUT, FLANGE M6xP1.0	2		
18	514410	CLAMP	1		



ITEM	PART NO	DESCRIPTION	Q'TY	AMEND	NOTE
01	553733	WIRE HARNESS	1		
01-1	553778	RESISTOR	1		
02	553741	HARNESS STARTING, EARTH	1		
03	553732	KEY SET	1		
03-1	440996	CAP, INDICATOR	1		
04	S71603	BOLT, BREAKABLE, HEX. HEAD M6X16	2		
05	927812	USB POWER SOURCE (5W)	1		
06	923759	RELAY, CONTROL	4		
07	GA5100004A	RELAY	1		
08	GA555SC05	BOLT, OUTLET M6X1.0X16L	1		
09	GA510SR01	CLAMP L150	5		
10	400535	CLAMP L300	2		
11	553785	STARTED MOTOR LINE	1		
12	440997	BLANK KEY RH.	1		
13	440998	BLANK KEY LH.	1		
15	553709	LINEAR MOTOR ASSY.	1		
16	S46402	SCREW OVAL HEAD M4X62	2		
17	553742	FUSE WIRING HARNESS	1		
18	S57501	SCREW, OVAL HEAD, FLANGE M5X16	2		
19	553788	LINEAR MOTOR SWITCH ASSY.	1		
20	GA510SR02	CLAMP L200	2		
21	W99435	WASHER	2		

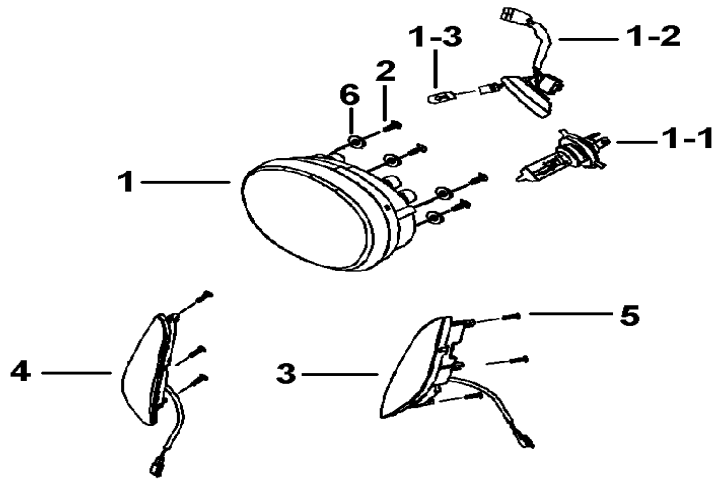


ITEM	PART NO	DESCRIPTION	Q'TY	AMEND	NOTE
01	553791	SPEEDOMETER ASSY.	1		
01-1	553768	SOCKET COMP.	1		
02	GA552SC11	SCREW, TAPPING M4X16	5		
03	411632	CABLE ASSY., SPEEDOMETER	1		
04	S41501	BOLT M5X12	1		

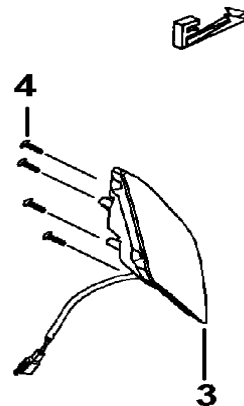
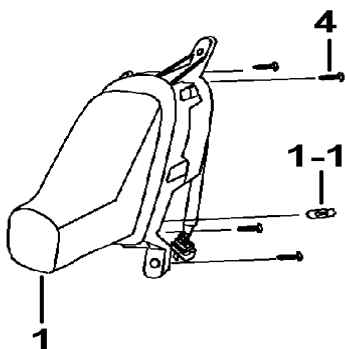
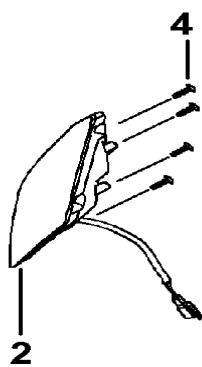
17

HEAD LAMP

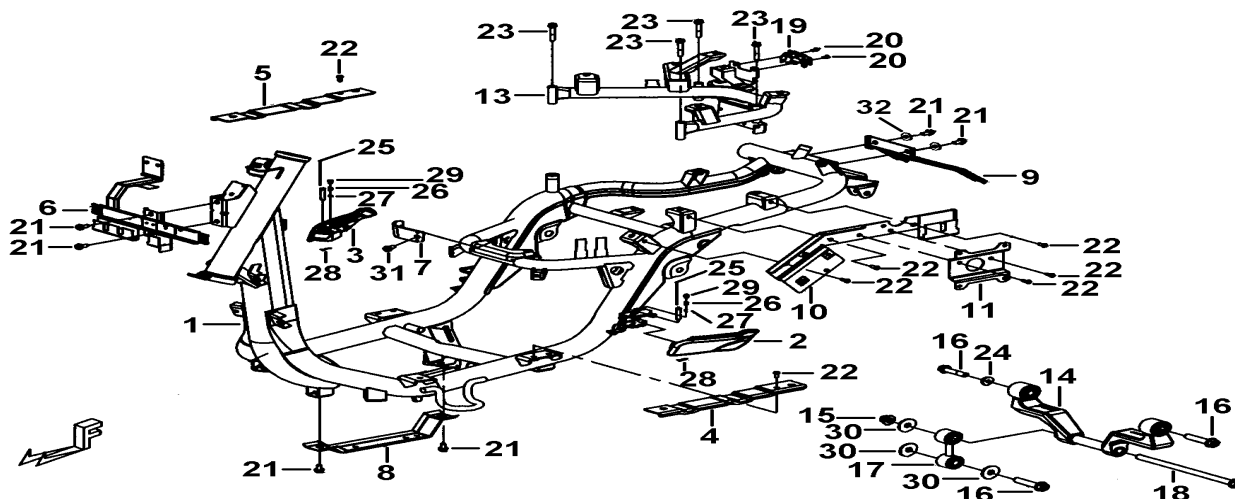
DJ8



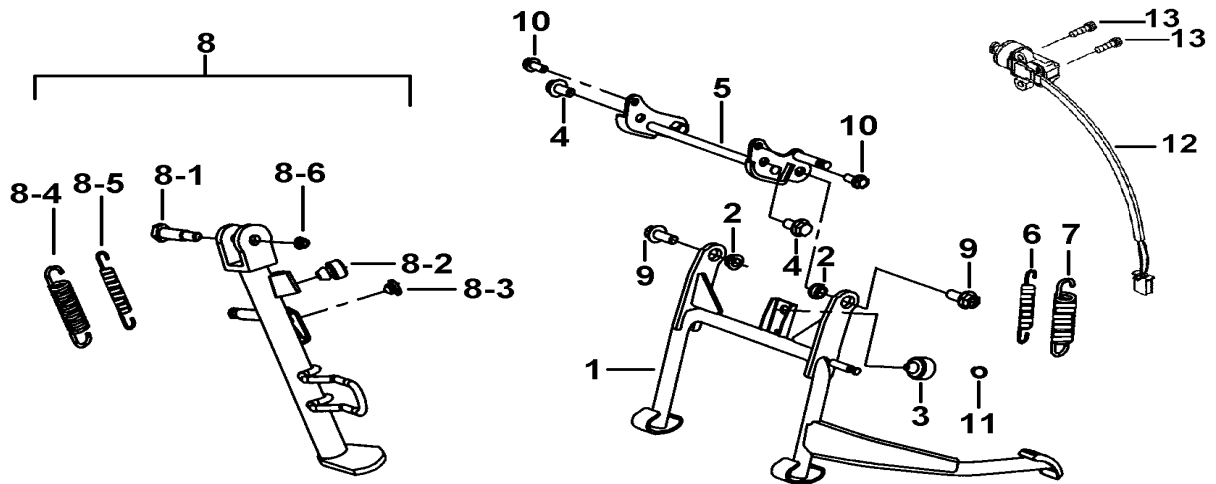
ITEM	PART NO	DESCRIPTION	Q'TY	AMEND	NOTE
01	553779	HEAD LAMP ASSY.	1		
01-1	553769	BULB (12V 55W/60W)	1		
01-2	553770	WIRING ASSY, HEAD LAMP	1		
01-3	400517	BULB 12V, 5W	1		
02	S57501	SCREW, OVAL HEAD, FLANGE M5X16	4		
03	450097	TURN SIGNAL LAMP COMP., LH. FRONT	1		
04	450098	TURN SIGNAL LAMP COMP., RH. FRONT	1		
05	GA552SC11	SCREW, TAPPING M4X16	6		
06	W99602	WASHER 6.5X12X1.0	4		



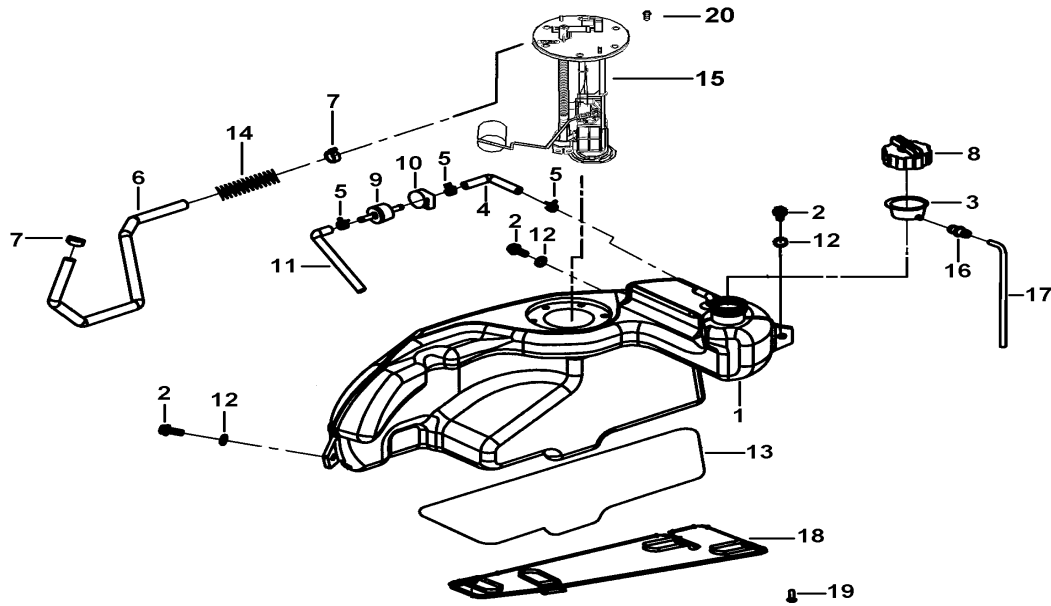
ITEM	PART NO	DESCRIPTION	Q'TY	AMEND	NOTE
01	451072	REAR LAMP ASSY.	1		
01-1	400517	BULB 12V, 5W	1		
02	451073	TURN SIGNAL LAMP COMP., LH.	1		
03	451074	TURN SIGNAL LAMP COMP., RH.	1		
04	GA552SC11	SCREW, TAPPING M4X16	12		



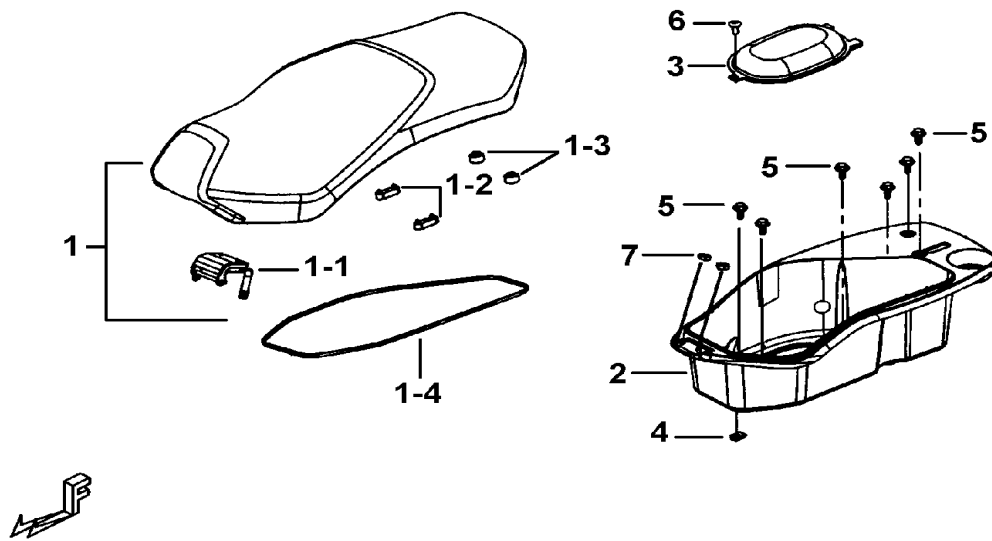
ITEM	PART NO	DESCRIPTION	Q'TY	AMEND	NOTE
01	414967	FRAME	1	←000678	
01A	414976	FRAME	1	000679→	
02	414940	FOOTREST ASSY., PILLON, LH.	1		
03	414941	FOOTREST ASSY., PILLION, RH.	1		
04	414952	REINFORCEMENT FLOOR COMP., LH.	1		
05	414953	REINFORCEMENT FLOOR COMP., RH.	1		
06	414947	COVER SET. LEG SHIELD, BRACKET	1		
07	414954	FUEL TANK, BRACKET	1		
08	414955	BATTERY, BRACKET	1		
09	414948	COVER SIDE, BRACKET	1		
10	414956	ELECTRICAL, BRACKET	1		
11	414963	BRACKET, ECM	1		
13	414949	BRKT COMP., HANDLE	1		
14	414964	ROCKER ARM ASSY., HANGER	1		
15	N25201	NUT, SELFLOCK M12X1.25	1		
16	S20211	BOLT M12X55L	3		
17	414965	LINKING ROD, E/G	1		
18	GE529FE04	BOLT M12X248L	1		
19	411994	LATCH, RH.	1		
20	GA555SC02	SCREW, AN HEAD	2		
21	S20817	BOLT, FLANGE M8X16	6		
22	GA555SC05	BOLT, OUTLET M6X1.0X16L	7		
23	S20809	BOLT, FLANGE M8X55	4		
24	W99220	WASHER	1		
25	P51801	PIN	2		
26	414959	SPRING, COMPRESSION 6X11	2		
27	GF519FE04	BALL □6.35	2		
28	GA551PN01	COTTER PIN 1.5X30	2		
29	S96812	SCREW, SOCKET HEAD M8X6	2		
30	W99221	WASHER	3		
31	S20814	BOLT, FLANGE M8X1.25X20L	1		
32	W99010	WASHER □10.5X□22X3.5t	2		



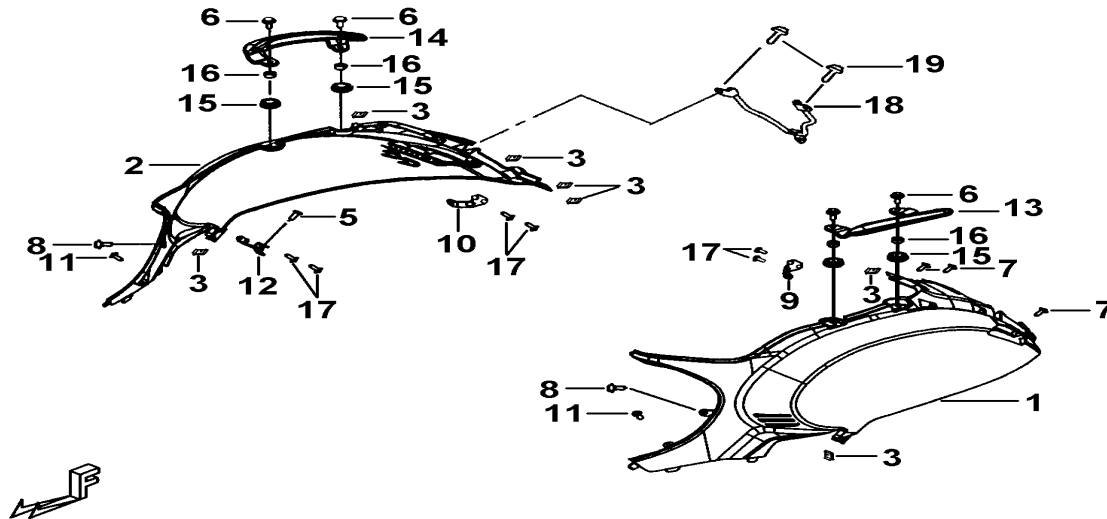
ITEM	PART NO	DESCRIPTION	Q'TY	AMEND	NOTE
01	412093	STAND COMP., MAIN	1		
02	401135	WASHER, MAIN STAND	2		
03	401701	CUSHION	1		
04	S21008	BOLT M10X20	2		
05	412092	BRACKET	1		
06	412062	SPRING	1		
07	412061	SPRING	1		
08	412094A	SIDE STAND COMP.	1		
08-1	S04802	BOLT	1		
08-2	412065	CUSHION	1		
08-3	412091	CUSHION	1		
08-4	412059	SPRING	1		
08-5	412060	SPRING	1		
08-6	GA551NT04	NUT, HEX. HEAD M8	1		
09	S20002	BOLT, FLANGE M10X1.25	2		
10	S21809	BOLT M8X1.25X18L	2		
11	GF519FE04	BALL □6.35	1		
12	553759	SWITCH, SIDE STAND	1		
13	S79501	SCREW, SOCKET HEAD M5x16	2		



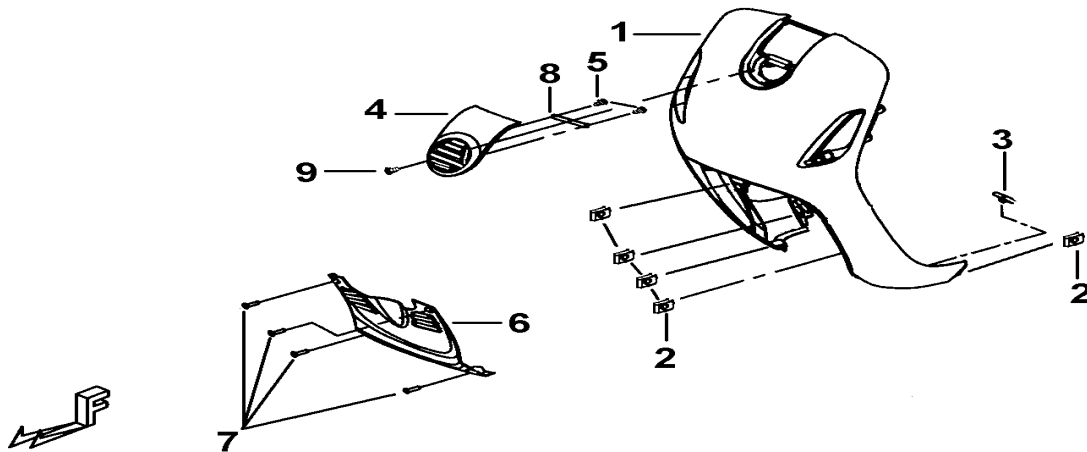
ITEM	PART NO	DESCRIPTION	Q'TY	AMEND	NOTE
01	414149	TANK, FUEL	1		
02	S20814	BOLT, FLANGE M8X1.25X20L	3		
03	414151	FUEL CAP SLEVE	1		
04	414144	HOSE	1		
05	R40001	CLIP	3		
06	414143	HOSE	1		
07	R60205	CLIP	2		
08	414142	CAP COMP., FILLER	1		
09	414148	VALVE	1		
10	516114	BUSH, RUBBER	1		
11	414145	HOSE	1		
12	W99806	WASHER 8.5X16X2	3		
13	414154	HEAT INSULATION	1		
14	414146	SPRING	1		
15	553747Y	FUEL PUMP ASSY.	1		
16	924733	TWO THROUGH -HOLE	1		
17	516141	HOSE, VENT	1		
18	414153	BRACKET, TANK FUEL	1		
19	S72603	BOLT, HEX HEAD M6X12	4		
20	S79501	SCREW, SOCKET HEAD M5x16	6		



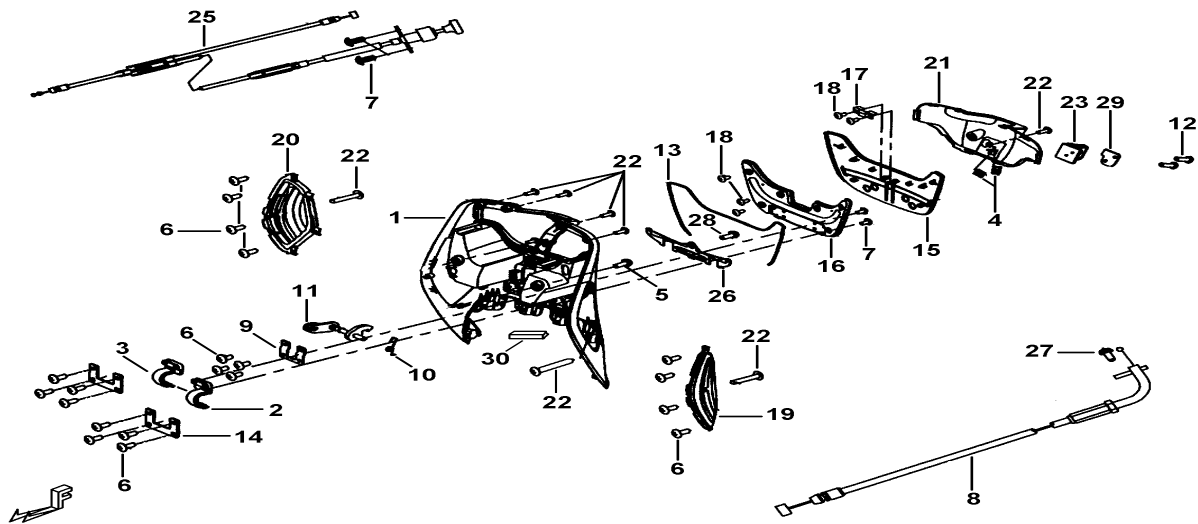
ITEM	PART NO	DESCRIPTION	Q'TY	AMEND	NOTE
01	452144	SEAT SET	1		OPTION
01-1	452122	BRKT, SEAT	1		
01-2	415331	DAMPER, RUBBER	2		
01-3	415330	DAMPER, RUBBER	2		
01-4	415332	ORNAMENTAL, COVER	1		
01A	452144CF	SEAT SET(COFFEE)	1		OPTION
01B	452144BL	SEAT SET (BLACK)	1		OPTION
02	452114	HELMET CASE	1		
03	452115	CAP, HELMET CASE	1		
04	N32601	NUT, SPRING	1		
05	S25602	BOLT M6X16L	6		
06	GA555SC03	SCREW, AN HEAD M6X16	1		
07	N10601	NUT, FLANGE 6mm	2		



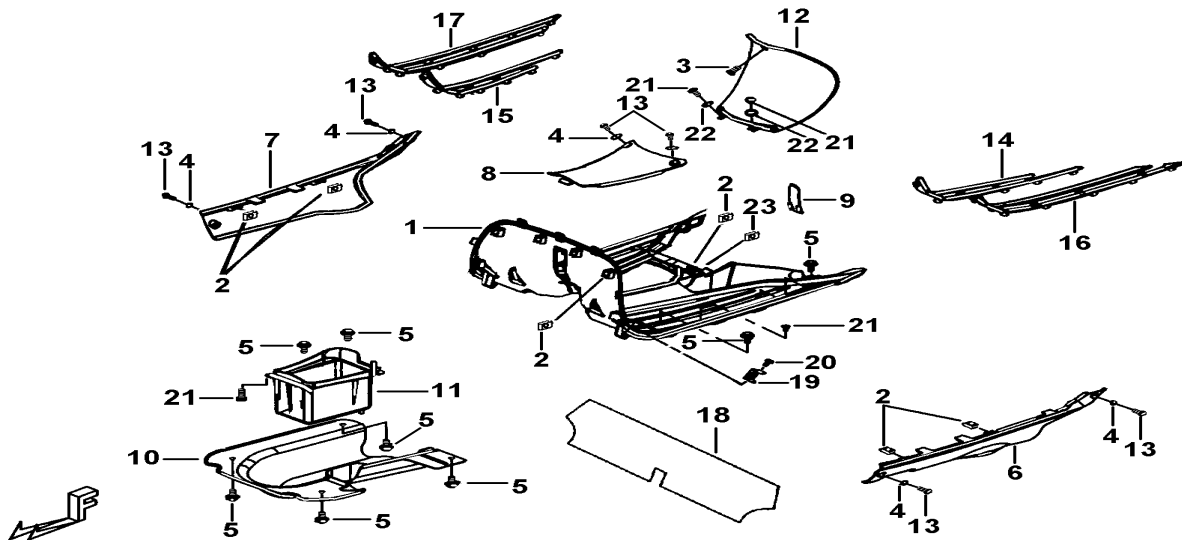
ITEM	PART NO	DESCRIPTION	Q'TY	AMEND	NOTE
01	453085	COVER SIDE, LH	1		
02	453086	COVER SIDE, RH	1		
03	GA552NT01	NUT, SPRING M4	7		
05	S45503	SCREW, AN HEAD M5X12	1		
06	S20802	BOLT, FLANGE M8X30L	4		
07	S51404	SCREW TAPPING M4X12	3		
08	S25602	BOLT M6X16L	2		
09	451077	BACK TURN SIGNAL LAMP BRACKET LH	1		
10	451078	BACK TURN SIGNAL LAMP BRACKET RH	1		
11	S45503	SCREW, AN HEAD M5X12	2		
12	453091	COVER SIDE JOIN BRACKET	1		
13	453083	HANDLE, LH	1		
14	453084	HANDLE, RH	1		
15	402129	WASHER, RUBBER	4		
16	402130	SPACER	4		
17	S50401	SCREW TAPPING M4X12	6		
18	414970	BRACKET	1		
19	GA555SC05	BOLT, OUTLET M6X1.0X16L	2		



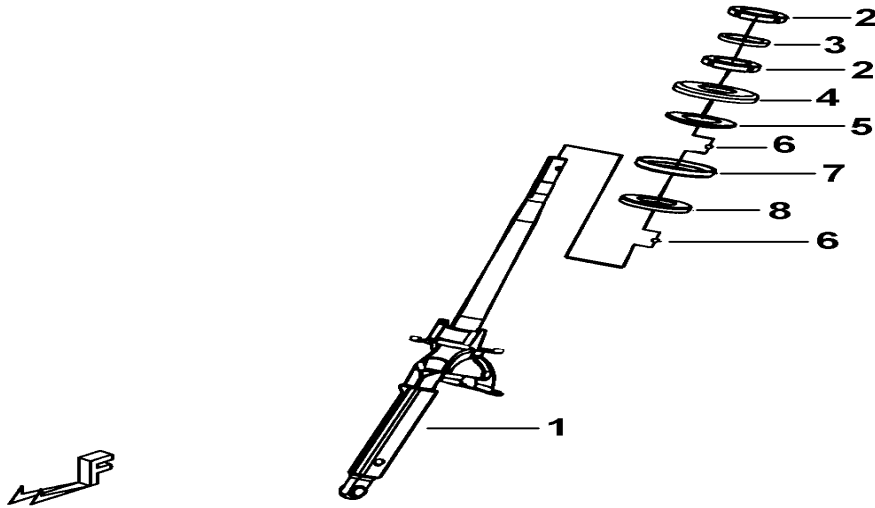
ITEM	PART NO	DESCRIPTION	Q'TY	AMEND	NOTE
01	454074	LEG SHIELD, FRONT	1		
02	GA552NT01	NUT, SPRING M4	6		
03	N32601	NUT, SPRING	2		
04	454090	ORNAMENTAL COVER	1		
05	S51301	BOLT M3X6	2		
06	454085	LEG SHIELD, LOWER	1		
07	S50406	SCREW, TAPPING M4X16	4		
08	412509	ORNAMENTAL METAL	1		
09	S51303	BOLT M3X10	1		



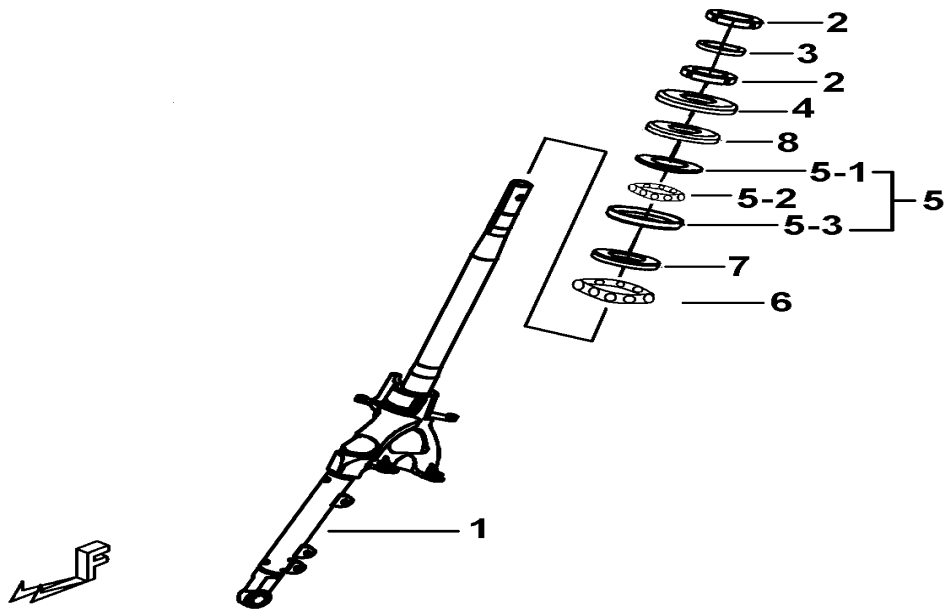
ITEM	PART NO	DESCRIPTION	Q'TY	AMEND	NOTE
01	454077	COVER SET, LEG SHIELD	1		
02	454086	GLOVE BOX FLAP MOUNTING ARM, LH	1		
03	454087	GLOVE BOX FLAP MOUNTING ARM, RH	1		
04	N32501	NUT, SPRING M5	2		
05	S25602	BOLT M6X16L	2		
06	S50401	SCREW TAPPING M4X12	20		
07	S50507	SCREW, TAPPING M5X10	6		
08	414960	GLOVE BOX CABLE	1		
09	412505	GLOVE BOX CATCH	1		
10	412506	GLOVE BOX SRPING	1		
11	412507	FLAP LOCKER	1		
12	S72504	BOLT M5X20	2		
13	454095	ORNAMENTAL, COVER	1		
14	454059	FIXED PLATE	2		
15	454078	GLOVE BOX DOOR	1		
16	454079	GLOVE BOX TRAY	1		
17	412504	LOCK PLATE	1		
18	S50402	SCREW, TAPPING M4X10	8		
19	454091	CONVEYING VENT, LH	1		
20	454092	CONVEYING VENT, RH	1		
21	454080	FRONT, LUGGAGE BOX GARMISH	1		
22	GA552SC11	SCREW, TAPPING M4X16	13		
23	454028	HOOK LUGGAGE	1		
25	414961	SEAT OPENING CABLE	1		
26	454083	GLOVE BOX INNER	1		
27	S41501	BOLT M5X12	1		
28	S25603	BOLT	1		
29	414971	BRACKET	1		
30	454098	CUSHION	2		



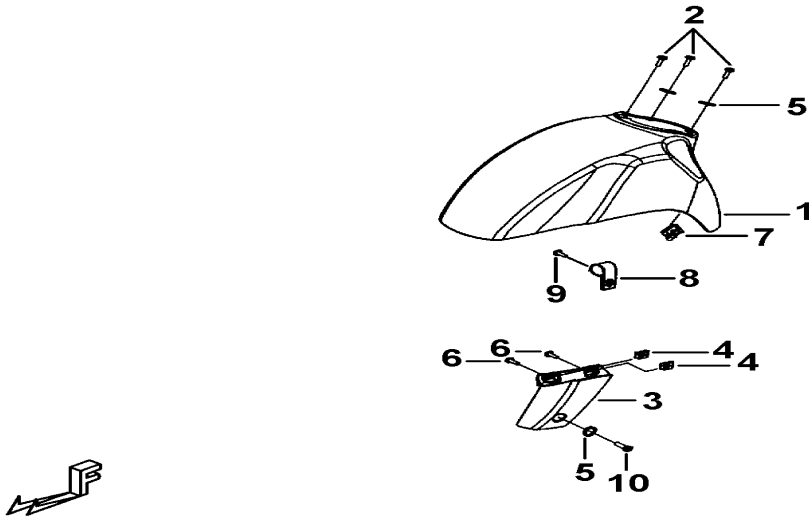
ITEM	PART NO	DESCRIPTION	Q'TY	AMEND	NOTE
01	455066	LEG SHIELD, REAR	1		
02	GA552NT01	NUT, SPRING M4	14		
03	S45503	SCREW, AN HEAD M5X12	1		
04	W99541	WASHER	6		
05	S25602	BOLT M6X16L	12		
06	455082	LEG SHIELD, LOWER, LH.	1		
07	455083	LEG SHIELD, LOWER, RH.	1		
08	455071	LID, BATTERY	1		
09	455075	COVER SET, LEG SHIELD, SMALL	1		
10	455074	FENDER REAR, TANK FUEL	1		
11	455076	BATTERY SEAT	1		
12	453087	CAP, HELMET CASE	1		
13	S50406	SCREW, TAPPING M4X16	6		
14	455067	RUBBER MAT, INNER, LH	1		
15	455068	RUBBER MAT, INNER, RH	1		
16	455069	RUBBER MAT, OUTER, LH	1		
17	455070	RUBBER MAT, OUTER, RH	1		
18	454094	HEAT INSULATION	1		
19	455078	BRACKET	2		
20	GA904SC26	SCREW, SOCKET HEAD M6X16	2		
21	GA552SC11	SCREW, TAPPING M4X16	10		
22	GA552WS05	WASHER 5.2X10X0.8	2		
23	N32501	NUT, SPRING M5	2		



ITEM	PART NO	DESCRIPTION	Q'TY	AMEND	NOTE
01	412735	FORK COMP., FRONT	1		
02	GA556NT01	NUT, SLOTTED	2		
03	W33201	WASHER	1		
04	412723	COVER, ANTI-DUST	1		
05	412725	RACE, STEERING, INNER, UPPER	1		
06	BH127FE01	BALL	54		
07	412724	RACE, STEERING INNER	1		
08	412726	RACE, STEERING INNER	1		



ITEM	PART NO	DESCRIPTION	Q'TY	AMEND	NOTE
01	412756	FORK COMP., FRONT	1		
02	GA556NT01	NUT, SLOTTED	2		
03	W33201	WASHER	1		
04	412765	COVER, ANTI-DUST	1		
05	412767	RACE, STEERING UPPER ASSY.	1		
05-1	412758	RACE STEERING OUTER, UPPER	1		
05-2	412761	UPPER BEARING	1		
05-3	412757	RACE, STEERING INNER, UPPER	1		
06	412762	LOWER BEARING	1		
07	412759	RACE STEERING INNER, LOWER	1		
08	412763	OIL SEAL□	1		

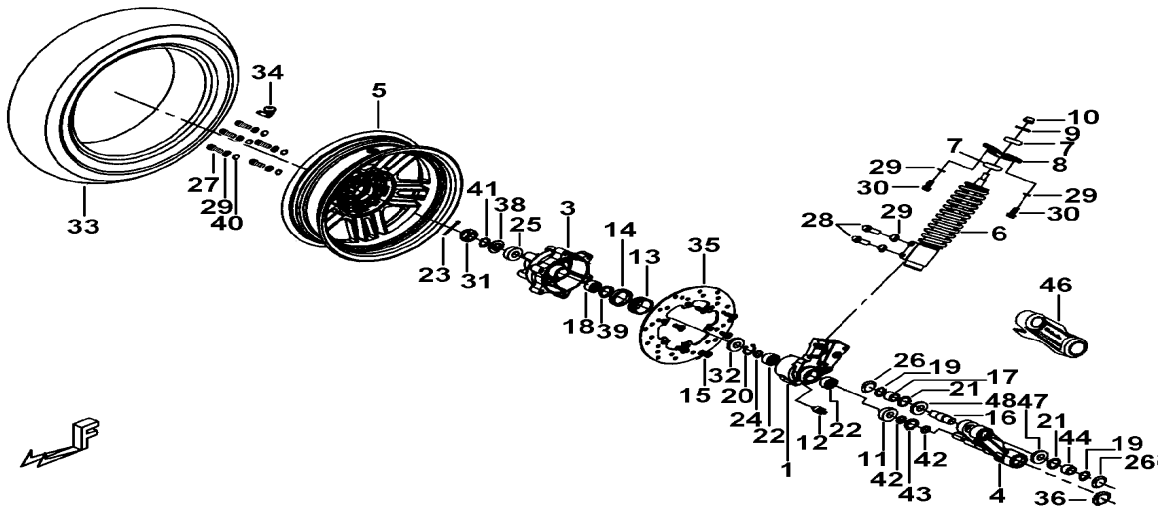


ITEM	PART NO	DESCRIPTION	Q'TY	AMEND	NOTE
01	456028	FRONT FENDER	1		
02	S72601	BOLT, HEX HEAD M6X20	3		
03	454093	FRONT SUSPENSION COVER	1	-000678	
03A	454097	FRONT SUSPENSION COVER	1	000679-	
04	GA552NT01	NUT, SPRING M4	2		
05	W99602	WASHER 6.5X12X1.0	3		
06	GA552SC11	SCREW, TAPPING M4X16	2		
07	N32501	NUT, SPRING M5	3		
08	413417	CLAMP	1		
09	S41501	BOLT M5X12	1		
10	S72605	BOLT, HEX HEAD M6X16 (Silver White)	1		

29

FRONT WHEEL

DJ8

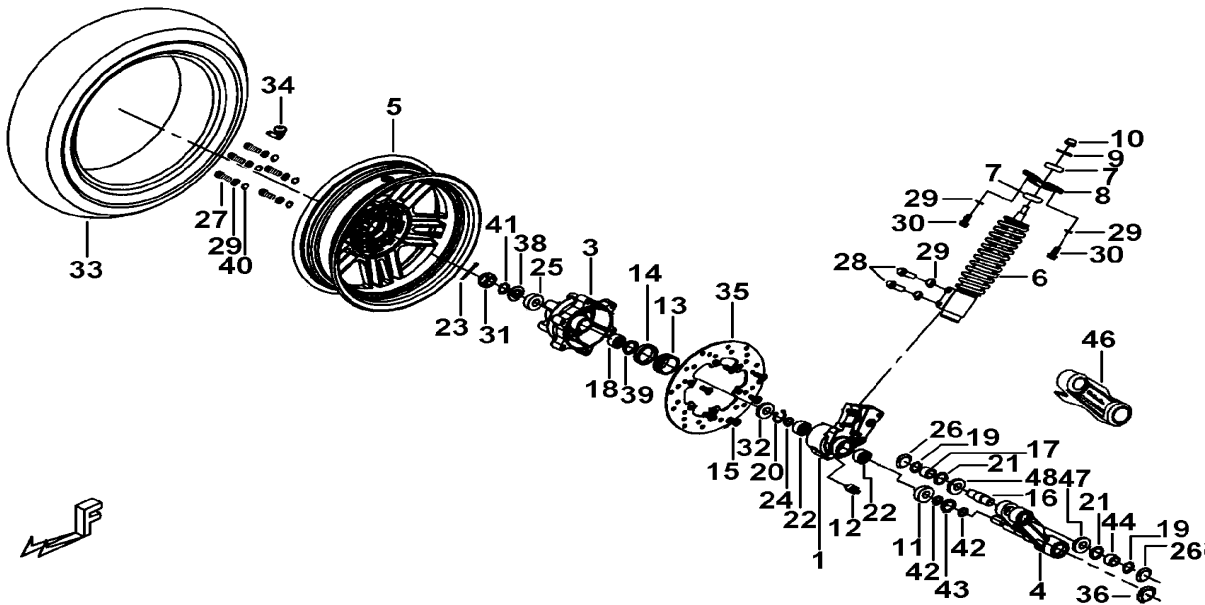


ITEM	PART NO	DESCRIPTION	Q'TY	AMEND	NOTE
01	412979	BRACKET, CALIPER	1		
03	412963	HUB, FRONT WHEEL	1		
04	412753	SWING ARM	1		
05	412968SEAY	RIM COMP., FRONT WHEEL(AL)(SEMI-GLOSS BLACK)(POLISHED) 3.5X12"	1	←000678	
05A	412980SEAY	RIM COMP., FRONT WHEEL(AL)(SEMI-GLOSS BLACK)(POLISHED) 3.5X12"	1	000679→	
06	412737SE	ABSORBER ASSY., SHOCK, FR(SEMI-GLOSS BLACK)	1	←000678	
06A	412770SE	ABSORBER ASSY., SHOCK, FR(SEMI-GLOSS BLACK)	1	000679→	
07	412738	CUSHION	2		
08	412750	FIXED BRACKET	1	←000678	
08A	412766	FIXED BRACKET	1	000679→	
09	W99011	GASKET t 2.5	1		
10	GA551NT02	NUT, FLANGE SELRLOCK M10x10	1		
11	412742	OIL SEAL	1		
12	412970	ODOMETER DRIVE GEAR (S)	1		
13	412971	ODOMETER DRIVE GEAR (B)	1		
14	412426	SPACER	1		
15	GA558SC02	BOLT M8X1.25X15L	6		
16	412740	SHAFT, SWING ARM	1		
17	412747	COPPER BUSHING	1		
18	412972	NEEDLE BEARING	1		
19	R01302	"C"RING	2		
20	R00004	"C"RING	1		
21	412744	"O"RING	2		
22	412741	NEEDLE BEARING	2		
23	P10301	PIN	1		
24	W99202	WASHER	1		
25	412973	NEEDLE BEARING	1		

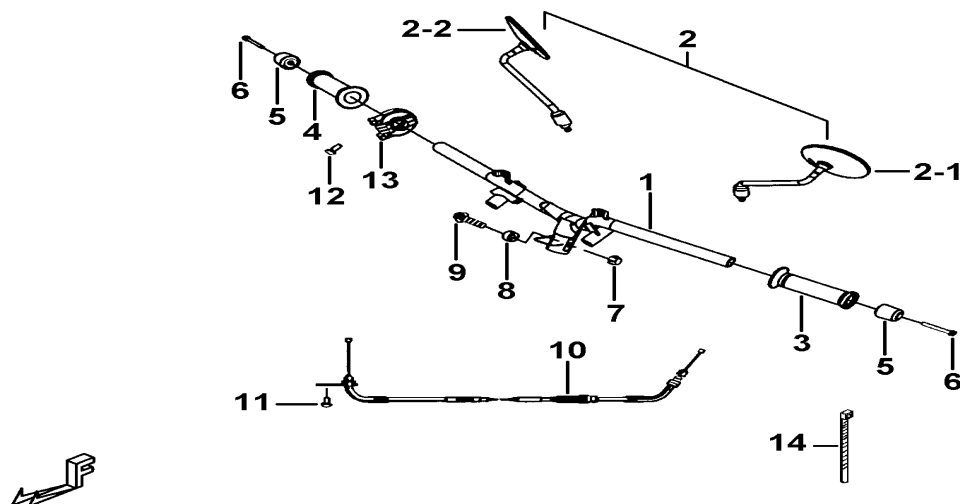
29-1

FRONT WHEEL

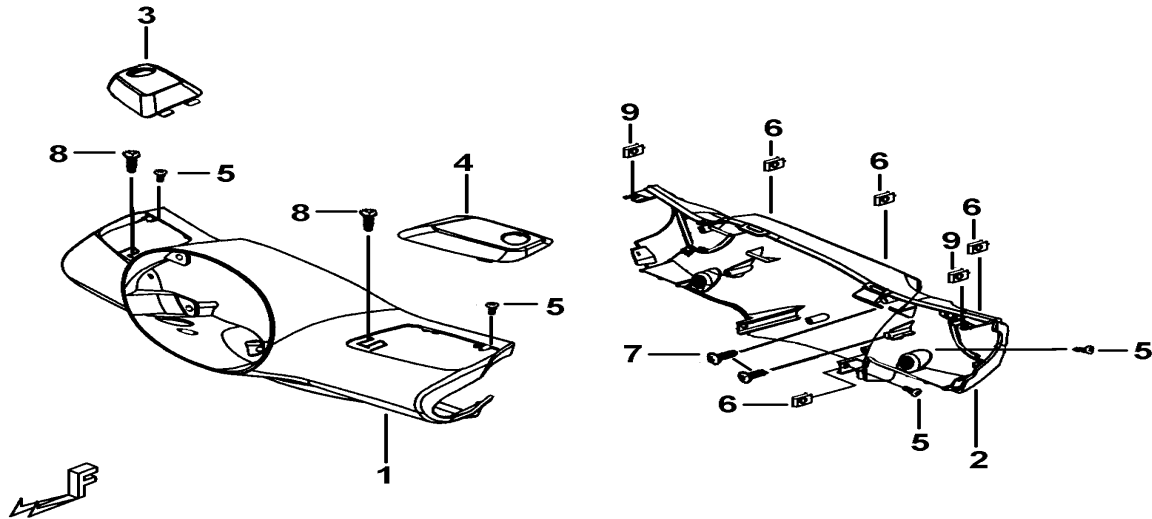
DJ8



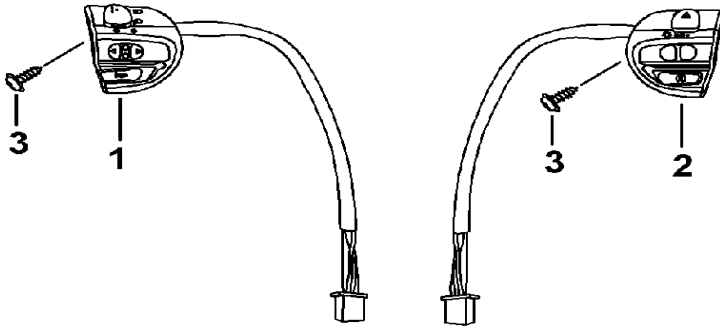
ITEM	PART NO	DESCRIPTION	Q'TY	AMEND	NOTE
26	412745CKD	CAP	2		
27	S70804	BOLT,HEX HEAD M8X50	5	←000678	
27A	S70809	SCREW, SOCKET HEAD M8X1.25X40L	5	000679→	
28	S20822	BOLT, FLANGE M8X45	2		
29	GA556WS04	SPRING WASHER 8.2X3.2X2t	9		
30	S20825	BOLT, FLANGE	2		
31	N13401	NUT M14X1.5	1		
32	412743	OIL SEAL	1		
33	412976	TIRE FRONT 120/70/12	1		
34	GF5299901	INLET COMP., AIR	1		
35	412967Y	DISC, BRAKE 220mm	1		
36	412746CKD	CAP	1		
38	412974	SPACER	1		
39	412749	OIL SEAL	1		
40	W99806	WASHER 8.5X16X2	5		
41	R01702	"C"RING	1		
42	W99226	WASHER	2		
43	412751	"O"RING	1		
44	412748	COPPER BUSHING	1		
46	412755C	COVER, SWING ARM(CHROMIUM PLATED)	1		
47	W99716	WASHER	1	←000678	
48	W99717	WASHER	1	←000678	



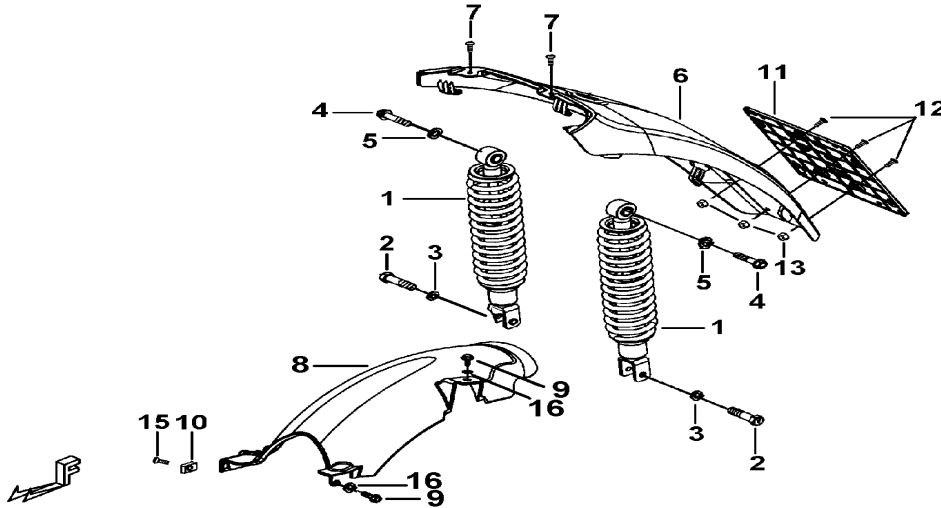
ITEM	PART NO	DESCRIPTION	Q'TY	AMEND	NOTE
01	417016	HANDLE BAR ASSY.	1		
02	417033	MIRROR ASSY., REAR VIEW	1		
02-1	417036	MIRROR, REAR VIEW, LH.	1		
02-2	417037	MIRROR, REAR VIEW, RH.	1		
03	413075	GRIP, LH.	1		
04	413076	GRIP, RH.	1		
05	417034	COLLAR	2		
06	S70622	BOLT M6X60L	2		
07	GA551NT01	NUT, SELFLOCK M10X1.25	1		
08	413087	COUAR HANDLE SET	1		
09	S20009	BOLT, HEX. HEAD M10X1.25X48L	1		
10	417030	CABLE, THROTTLE	1		
11	GA552SC06	BOLT, OVAL HEAD 5X12	1		
12	S72006	BOLT, FLANGE	1		
13	417018	THROTTLE CONTROL	1		
14	400535	CLAMP L300	2		



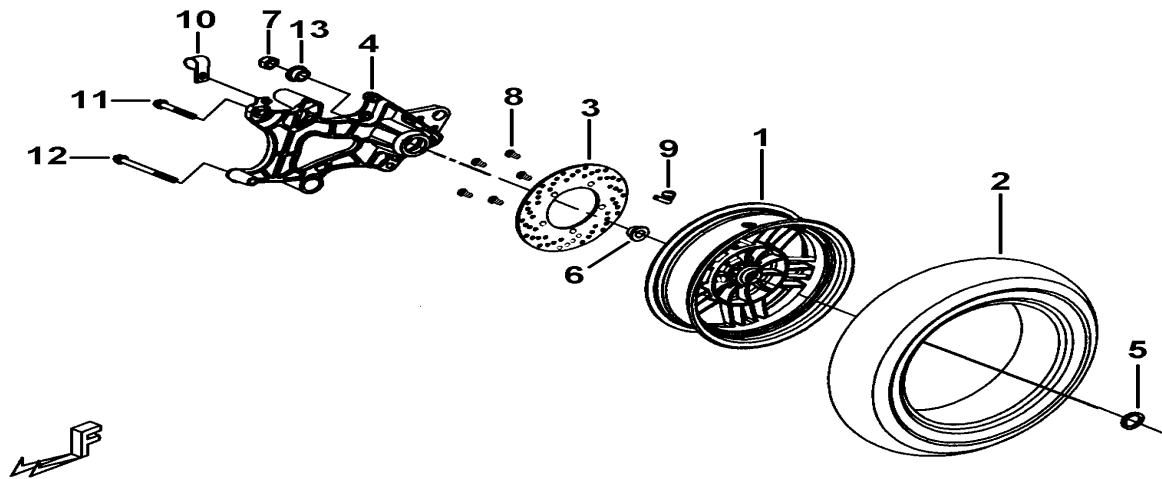
ITEM	PART NO	DESCRIPTION	Q'TY	AMEND	NOTE
01	457175	COVER, HANDLE BAR, FRONT	1		
02	457176	COVER, HANDLE BAR, REAR	1		
03	457178	MASTER CYLINDER ORNAMENTAL RH	1		
04	457177	MASTER CYLINDER ORNAMENTAL LH	1		
05	S50406	SCREW, TAPPING M4X16	6		
06	GA552NT01	NUT, SPRING M4	7		
07	GA552SC11	SCREW, TAPPING M4X16	4		
08	GA555SC03	SCREW, AN HEAD M6X16	2		
09	N32401	NUT, SPRING	2		



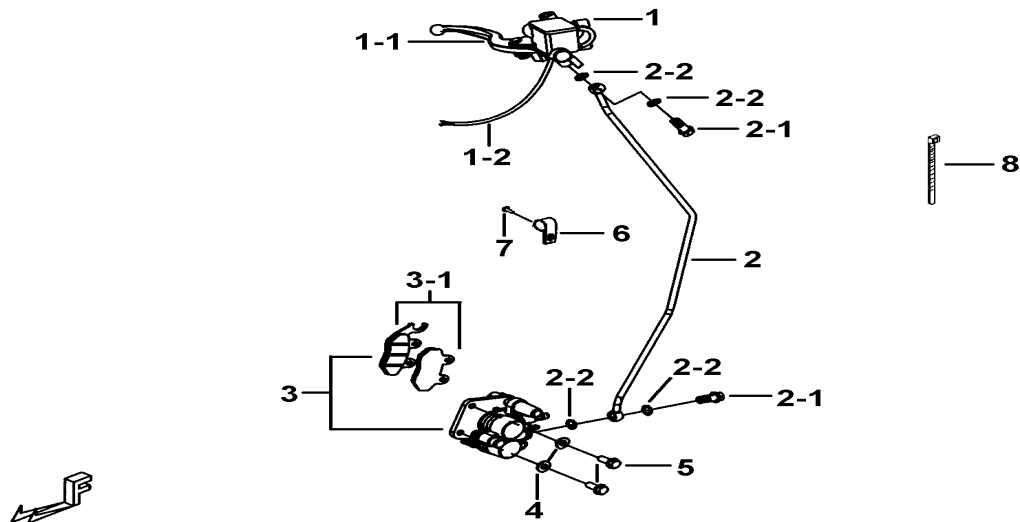
ITEM	PART NO	DESCRIPTION	Q'TY	AMEND	NOTE
01	553721	SWITCH ASSY., LH.	1		
02	553722	SWITCH ASSY., RH.	1		
03	S50402	SCREW,TAPPING M4X10	2		



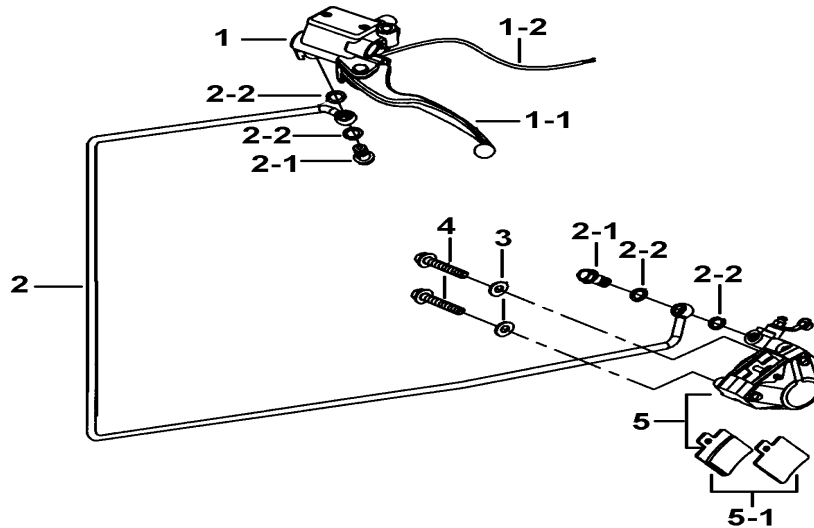
ITEM	PART NO	DESCRIPTION	Q'TY	AMEND	NOTE
01	413336SE	ABSORBER ASSY., SHOCK, REAR(SEMI-GLOSS BLACK)	2	-000678	
01A	413340SE	ABSORBER ASSY., SHOCK, REAR(SEMI-GLOSS BLACK)	2	000679→	
02	GA558SC03	BOLT, HEX. HEAD M8X35	2		
03	GA556WS04	SPRING WASHER 8.2X3.2X2t	2		
04	S20052	BOLT, FLANGE M10X1.25X40L	2		
05	GA556WS06	WASHER, SPRING 10.2X3.7X2.5t	2		
06	453088	FENDER, REAR	1		OPTION
06A	453088A	FENDER, REAR(BROACH)	1		OPTION
07	GA552SC05	SCREW TAPPING M4X16	2		
08	458040	GUARD, MUD	1		
09	S72601	BOLT, HEX HEAD M6X20	2		
10	N32501	NUT, SPRING M5	1		
11	458039	BRACKET ASSY., IICENSE-PLATE	1		
12	GA555SC03	SCREW, AN HEAD M6X16	3		
13	N10603	NUT, SPRING M6	3		
15	S72504	BOLT M5X20	1		
16	GA555WS02	WASHER	2		



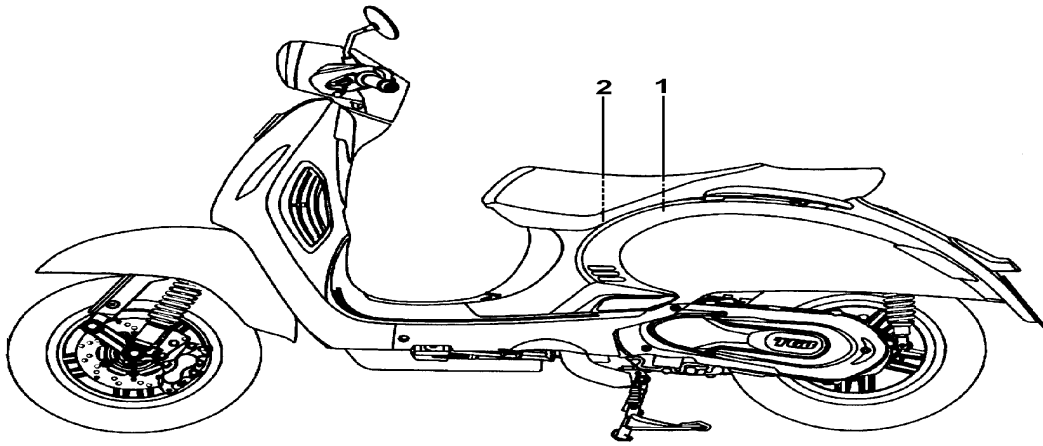
ITEM	PART NO	DESCRIPTION	Q'TY	AMEND	NOTE
01	413433SEAY	RIM COMP., REAR WHEEL(AL)(SEMI-GLOSS BLACK)(POLISHED) 3.5X12"	1		
02	413437	TIRE REAR 130/70/12	1		
03	413439Y	DISC, BRAKE 220mm	1		
04	413435	REAR FORK ASSY	1		
05	W99540	WASHER	1		
06	413423	COLLAR	1		
07	GA558NT03	NUT, SELFLOCK M16X14	1		
08	GA558SC02	BOLT M8X1.25X15L	5		
09	GF5299901	INLET COMP., AIR	1		
10	413417	CLAMP	1		
11	S20805	BOLT, FLANGE M8X42	1		
12	S20826	BOLT, FLANGE	1		
13	413436	COLLAR	1		



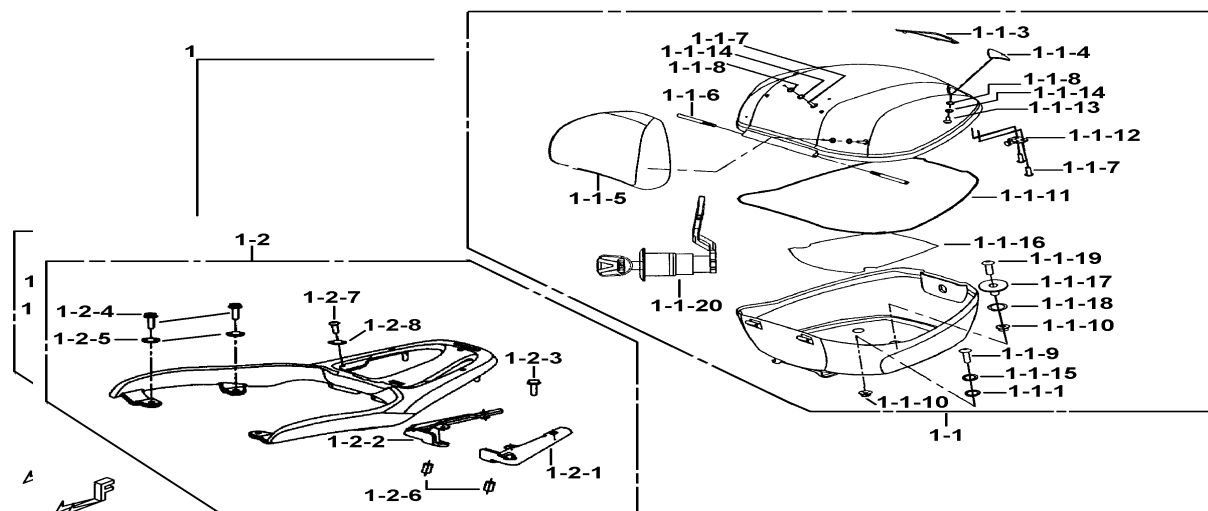
ITEM	PART NO	DESCRIPTION	Q'TY	AMEND	NOTE
01	413665	MASTER CYLINDER	1		
01-1	415341	LEVER, HANDLE BAR(RH)	1		
01-2	415334	LIMITED SWITCH ASSY.(RH)	1		
02	413657	HOSE ASSY., FRONT BRAKE	1		
02-1	S21001	OIL BOLT M10X1.25X22L	2		
02-2	GA559WS04	WASHER, 10.2X15X1.2t	4		
03	413656SW	CALLIPER(SILVER WHITE)	1		
03-1	415335	PAD ASSY.	1		
04	W99805	WASHER	2		
05	S20814	BOLT, FLANGE M8X1.25X20L	2		
06	413417	CLAMP	2		
07	GA555SC05	BOLT, OUTLET M6X1.0X16L	2		
08	GA510SR02	CLAMP L200	1		



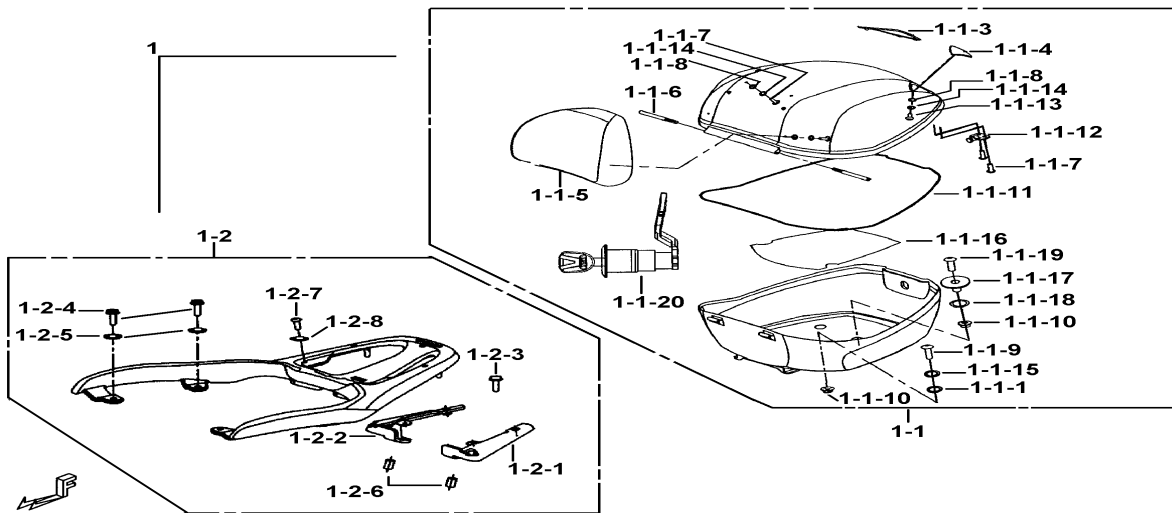
ITEM	PART NO	DESCRIPTION	Q'TY	AMEND	NOTE
01	413521	MASTER CYLINDER	1		
01-1	415340	LEVER, HANDLE BAR(LH)	1		
01-2	415333	LIMITED SWITCH ASSY.(LH)	1		
02	413518	HOSE ASSY., LEFT REAR BRAKE	1		
02-1	S21001	OIL BOLT M10X1.25X22L	2		
02-2	GA559WS04	WASHER, 10.2X15X1.2t	4		
03	W99805	WASHER	2		
04	S20802	BOLT, FLANGE M8X30L	2		
05	413516SW	CALLIPER(SILVER WHITE)	1		
05-1	415339	PAD ASSY.	1		



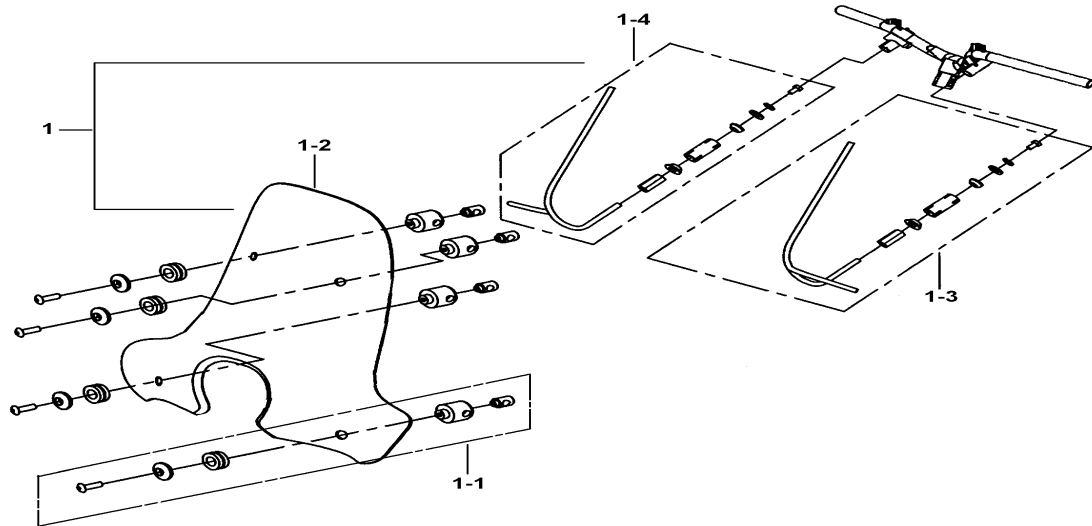
ITEM	PART NO	DESCRIPTION	Q'TY	AMEND	NOTE
01	459157	LABEL, WARNING	1		
02	459997	LABEL, LUGGAGE BOX	1		



ITEM	PART NO	DESCRIPTION	Q'TY	AMEND	NOTE
1-1-1	414212	BUSH (L)	2		
1-1-10	N25801	NUT, SELFLOCK M8	4		
1-1-11	414202	ORNAMENTAL, COVER	1		
1-1-12	414201	LOCK BRACKET	1		
1-1-13	S51302	SCREW, TAPPING M3.5X10L	2		
1-1-14	W99406	WASHER	6		
1-1-15	W99812	WASHER 1.5t	2		
1-1-16	414218	LINING	1		
1-1-17	414219	SPACER	2		
1-1-18	414220	O-RING	2		
1-1-19	S72810	BOLT, SOCKET M8X50L	2		
1-1-20	553771	KEY LOCK SET	1		
1-1-3	414205	REFLECTOR LH	1		
1-1-4	414206	REFLECTOR RH	1		
1-1-5	414200AY	PASSENGER BACK SEAT(PALE YELLOW)	1		OPTION
1-1-5A	414200CF	PASSENGER BACK SEAT(COFFEE)	1		OPTION
1-1-5B	414200BL	PASSENGER BACK SEAT(BLACK)	1		OPTION
1-1-6	412508	CONNECTING SHAFT	2		
1-1-7	GA552SC11	SCREW, TAPPING M4X16	6		
1-1-8	414213	BUSH (S)	6		
1-1-9	S72809	BOLT, SOCKET	2		
1-1A	414203CLA	CARGO BOX COMP.(CLASSIC BLACK)	1		OPTION
1-1B	414203AYA	CARGO BOX COMP.(PALE YELLOW)	1		OPTION
1-1C	414203SHA	CARGO BOX COMP.(SHELL WHITE)	1		OPTION



ITEM	PART NO	DESCRIPTION	Q'TY	AMEND	NOTE
1-1G	414203FBA	CARGO BOX COMP.(FOG BROWN)	1		OPTION
1-2-1	414972	BRACKET(L)	1		
1-2-2	414973	BRACKET(R)	1		
1-2-3	S20819	BOLT M8X45L	2		
1-2-4	S20802	BOLT, FLANGE M8X30L	4		
1-2-5	W99005	WASHER 2t	4		
1-2-6	414223	SPACER	2		
1-2-7	S72504	BOLT M5X20	2		
1-2-8	W10501	SPRING WASHER	2		
1-2A	412421CLA	LUGGAGE CARRIER ASSY.(CLASSIC BLACK)	1		OPTION
1-2B	412421AYA	LUGGAGE CARRIER ASSY.(PALE YELLOW)	1		OPTION
1-2C	412421SHA	LUGGAGE CARRIER ASSY.(SHELL WHITE)	1		OPTION
1-2G	412421FBA	LUGGAGE CARRIER ASSY.(FOG BROWN)	1		OPTION
1A	414217CL	CARGO BOX ASSY.(C/W CARRIER)(CLASSIC BLACK)	1		OPTION
1B	414217AY	CARGO BOX ASSY.(C/W CARRIER)(PALE YELLOW)	1		OPTION
1C	414217SH	CARGO BOX ASSY.(C/W CARRIER)(SHELL WHITE)	1		OPTION
1G	414217FB	CARGO BOX ASSY.(C/W CARRIER)(FOG BROWN)	1		OPTION



ITEM	PART NO	DESCRIPTION	Q'TY	AMEND	NOTE
01	457180A	WIND SHIELD ASSY(L)	1		
01-1	457188A	WIND-SHIELD INSTALLATION KIT	4		
01-2	457180	WIND-SHIELD(L)	1		
01-3	417028	FIXED ROD SET LH	1		
01-4	417031	FIXED ROD SET RH	1		